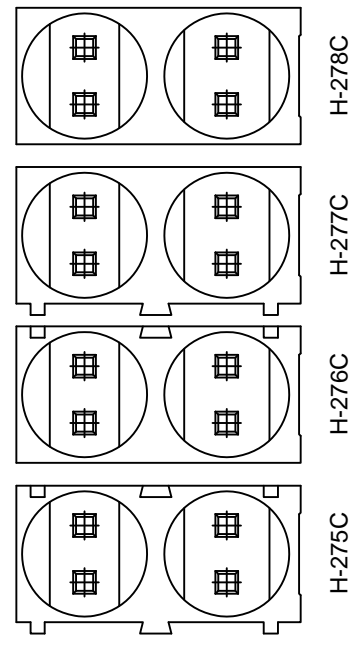
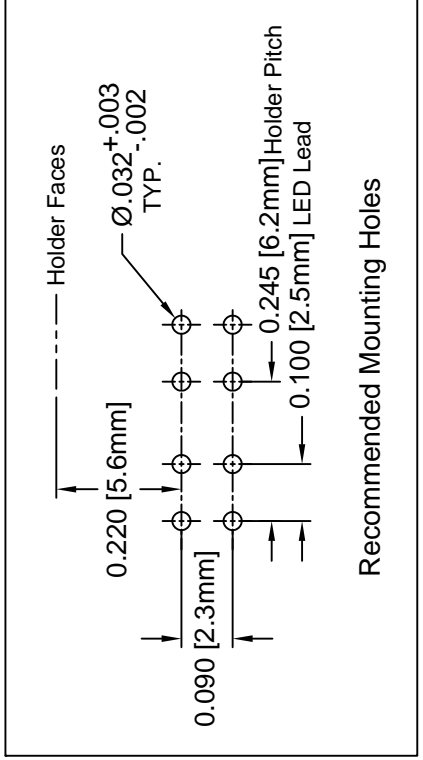
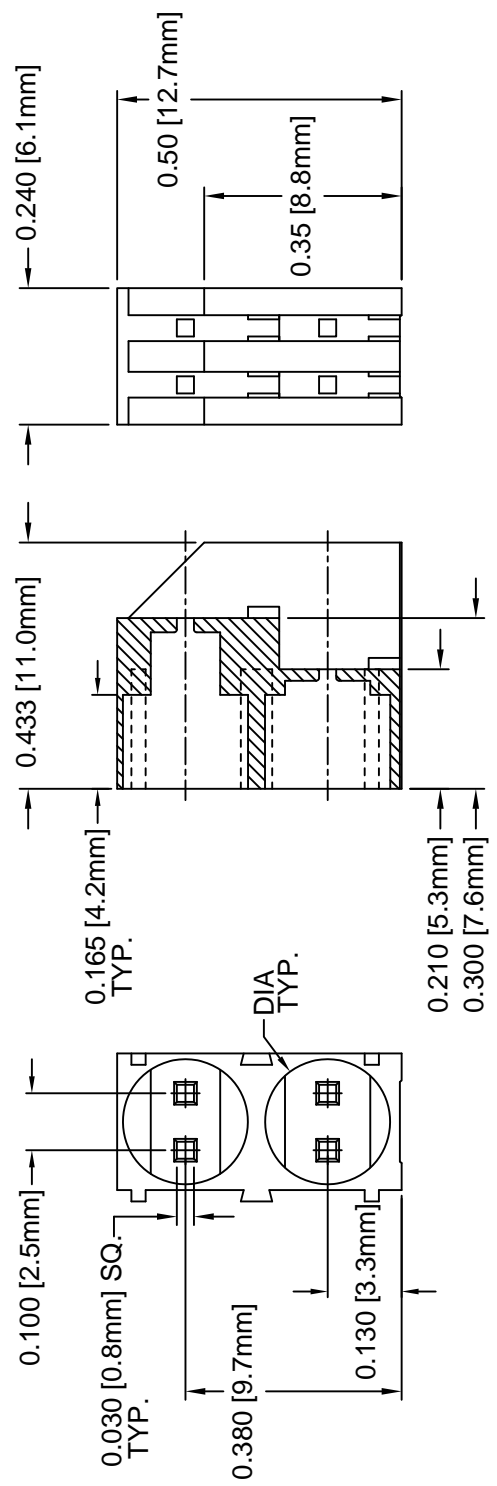


REV.

D	Engineering Update
E	Add [-2] version to table
F	-1 version Obsolete
G	Updated (0.50") Height
H	Removed Material Callout



PART NO.			
H-275C SERIES	H-276C SERIES	H-277C SERIES	H-278C SERIES
H-275C-2	H-276C-2	H-277C-2	H-278C-2
			DIA
			.206 [5.23mm]

STANDARD TOLERANCES
(UNLESS OTHERWISE SPECIFIED)

ANGULAR	X°
DECIMALS	.X ±.1 .XX ±.01 .XXX ±.005


DESIGNED: **M. Chen**
CHECKED: **D. Green**

DATE: **03/3/03**

2. MATERIAL: NYLON 6/6, 94V-0, BLACK.
1. GENERAL SPECIFICATIONS: BIVAR MOLDED COMPONENT SPECIFICATION BV00-E101.

Looking for pricing, stock, or lifecycle information?

Click below to explore more details on WIN SOURCE:

 [View H-278C-2 on WIN SOURCE](#)

 [Bivar Inc. Information](#)

Optimize Your Supply Chain with WIN SOURCE Solutions

-  Global Sourcing Solution
-  Obsolete Management
-  Cost Control Management
-  Shortage Management
-  Alternative Solution
-  Excess Inventory Management