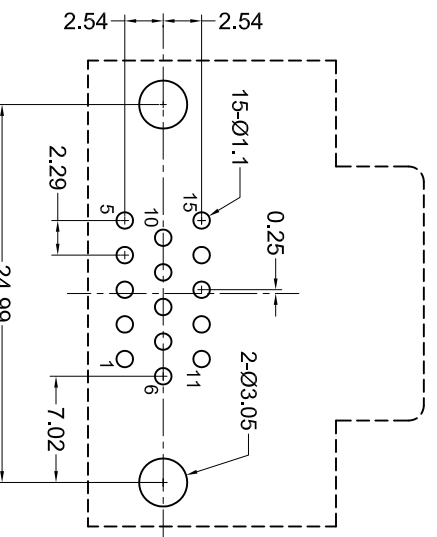
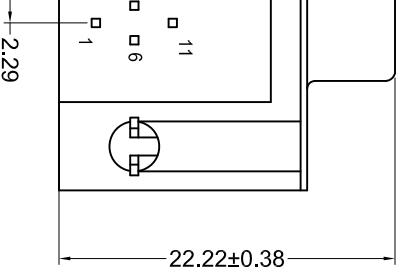
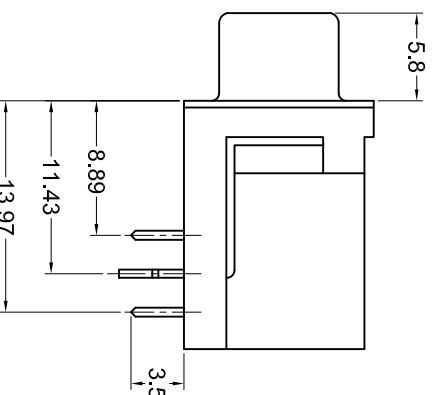
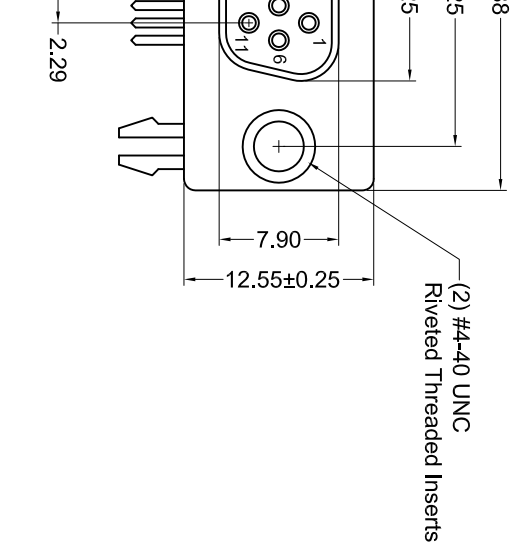




**THE DATASHEET OF  
K66X-E15S-N30**





### Material and Finish

Shell: Steel, Nickel plated

Insulator: PBT thermoplastic  
with glass-fiber reinforcement,  
UL94V-0 rated

Color: Black

Contact Material:

Socket - Phosphor Bronze

Contact Plating Options:

Standard: gold flash on  
mating end, tin on  
termination end, nickel  
underplate on entire contact

15 Option: 15u" gold on  
mating end, tin on  
termination end, nickel  
underplate on entire contact

30 Option: 30u" gold on  
mating end, tin on  
termination end, nickel  
underplate on entire contact

### Electrical Specifications

Rated Current: 1.5A

Rated Voltage: 29Vac

Insulation Resistance:  
more than 1000 megohms at  
500V DC

Contact Resistance:  
13 milliohms max.

Dielectric Withstanding Voltage:  
1000V for 1 minute

Operating Temperature:  
-55°C to +75°C

Contact Area Plating Finish
Gold Flash (standard)
5u" Gold (-15 option)
30u" Gold (-30 option)

V. BY	CHK. BY	DRAWN BY	DATE
Aguirre	H. MA	R. Aguirre	07/18/05
Vien	H. MA		
MA	P. DalCanto		
I. MA	W. Cook		
Serrato	C. Furumasa		

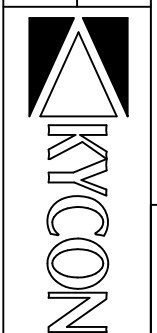
UNITS	mm
<b>K66X-E15S-N</b>	

HD, D-Sub, RoHS Compliant
15 Pos. Female, BoardLocks



E140125

LR78160



Tolerances
X.X ± 0.25
X.XX ± 0.15
Unless Stated
Otherwise

## Looking for pricing, stock, or lifecycle information?

Click below to explore more details on WIN SOURCE:

 [View K66X-E15S-N30 on WIN SOURCE](#)

 [Kycon, Inc. Information](#)

## Optimize Your Supply Chain with WIN SOURCE Solutions

-  Global Sourcing Solution
-  Obsolete Management
-  Cost Control Management
-  Shortage Management
-  Alternative Solution
-  Excess Inventory Management