



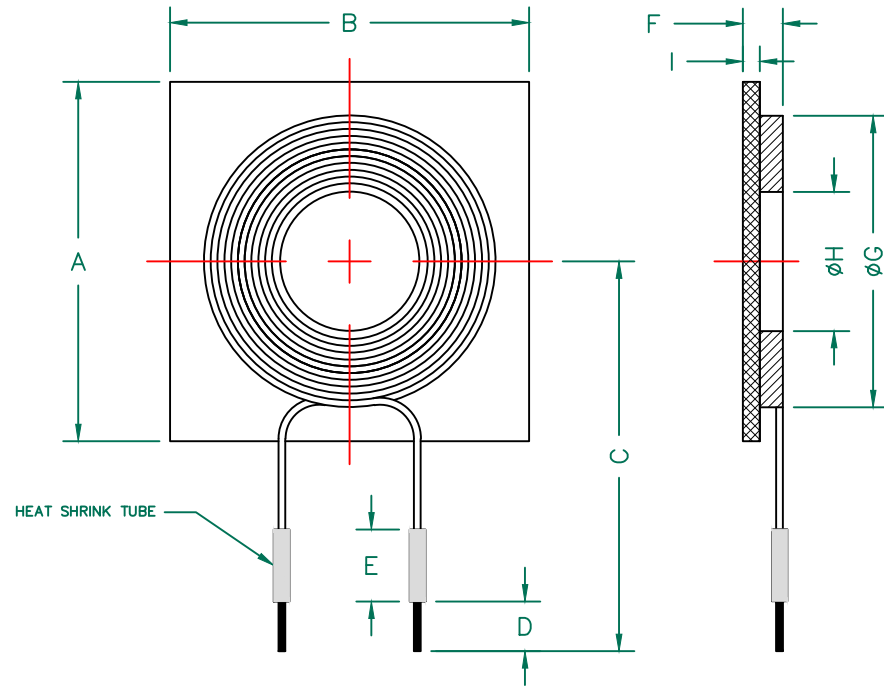
**THE DATASHEET OF
RWC5353EJ240-501**



RWC5353EJ240-501

PHYSICAL DIMENSIONS:

A	53.00	±	0.50
B	53.00	±	0.50
C	57.50		TYP.
D	10.00	±	2.00
E	10.00		TYP.
F	6.70		MAX.
G	43.00	±	1.00
H	20.50	±	1.00
I	2.50	±	0.40



ELECTRICAL SPECIFICATION @ 25°C

	Min	Nom	Max
INDUCTANCE (uH) L @ 100KHz/1V ±10%	21.6	24.0	26.4
DCR (mΩ)			80
Q @ 100KHz/1V	90		
I _{rms} (A)	5.5		
I _{sat} (A)	10.0		

NOTES: UNLESS OTHERWISE SPECIFIED

- OPERATING TEMPERATURE RANGE: -40°C TO +125°C (INCLUDING SELF-HEATING) .
- STORAGE TEMPERATURE RANGE (PACKAGING CONDITIONS): -10°C TO +40°C AND RH 70% (MAX.)
- UNLESS OTHERWISE SPECIFIED, THE STANDARD ATMOSPHERIC CONDITIONS FOR MEASUREMENT/TEST AS:
 - AMBIENT TEMPERATURE: 20±15°C.
 - RELATIVE HUMIDITY: 65%±20%.
- DEFINITION OF SATURATION CURRENT (ISAT): DC CURRENT AT WHICH THE INDUCTANCE DROPS ≤10% FROM ITS VALUE WITHOUT CURRENT.
- DEFINITION OF TEMPERATURE RISE CURRENT (IRMS): DC CURRENT THAT CAUSES THE TEMPERATURE RISE (ΔT ≤40°C) FROM 20°C AMBIENT.



DIMENSIONS ARE IN mm.				This print is the property of Laird Tech. and is loaned in confidence subject to return upon request and with the understanding that no copies shall be made without the written consent of Laird Tech. All rights to design or invention are reserved.			
PROJECT/PART NUMBER:				RWC5353EJ240-501			
C	UPDATED DCR	10/20/17	Jcdl	REV	C	PART TYPE:	DRWN BY:
B	CORRECT INDUCTANCE UNIT	01/09/13	QIU	DATE:	11/01/12	SCALE:	NTS
A	ORIGINAL DRAFT	11/01/12	QIU	CAD #	RWC5353EJ240-501-C	TOOL #	-
REV	DESCRIPTION	DATE	INT	SHEET: 1 of 1			



Looking for pricing, stock, or lifecycle information?

Click below to explore more details on WIN SOURCE:

- ⊖ [View RWC5353EJ240-501 on WIN SOURCE](#)
- ⊖ [Laird-Signal Integrity Products Information](#)

Optimize Your Supply Chain with WIN SOURCE Solutions

- ✓ Global Sourcing Solution
- ✓ Obsolete Management
- ✓ Cost Control Management
- ✓ Shortage Management
- ✓ Alternative Solution
- ✓ Excess Inventory Management