



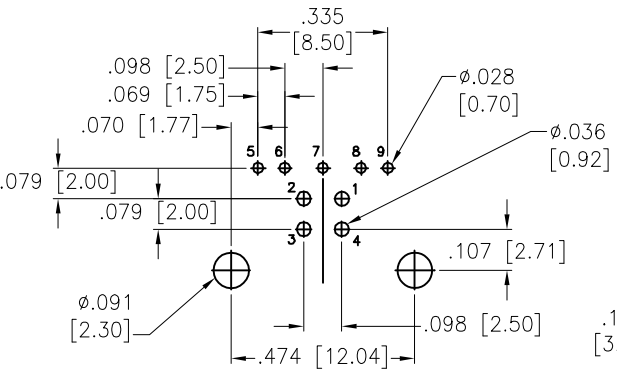
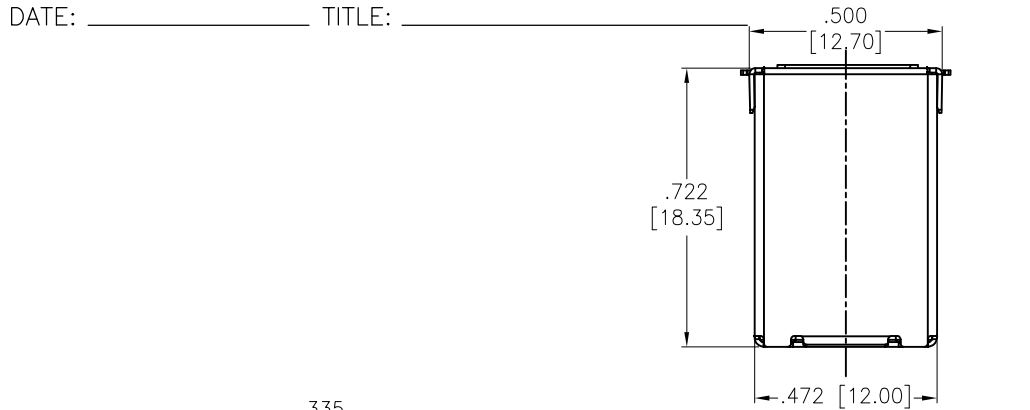
THE DATASHEET OF USB-B3-S-RA



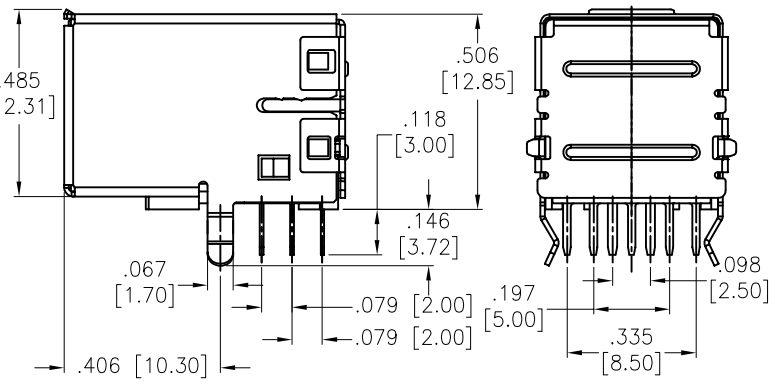
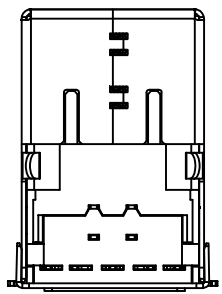
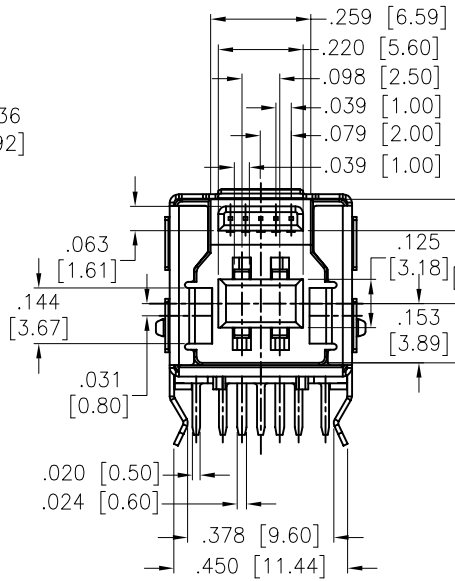
APPROVED: _____

DATE: _____ TITLE: _____

Rev	AWO #	Description	Date	Aprr
-		RELEASED	12/18/09	
A		REDRAWN	11/27/13	AY/SS
B		ADDED DIM.	10/7/16	AY/NC
C		UPDATE DRAWING	8/14/18	AY/MY
D		UPDATE SPEC.	11/14/22	LH/LX
E		UPDATE TITLE	6/27/24	JJ/RC



RECOMMENDED P.C.B HOLE LAYOUT
TOP VIEW(TOLERANCE:±0.10)



SPECIFICATIONS:

Material:
 Insulator: PBT, glass reinforced, rated UL 94V-0
 Insulator color: Blue
 Contacts: Phosphor Bronze
 Shell: Brass, nickel plated
 Back Shell: SPCC, nickel plated
 Plating:
 Gold over Nickel underplate on contact area,
 Tin over Nickel underplate on solder tails.
 Electrical:
 Current rating: 1.8 Amp for Pin1 & Pin4
 0.25 Amp for other Contacts
 Voltage rating: 30 V
 Contact resistance: 30mΩ max for Pin1 & Pin4
 50mΩ for other Contacts.
 Insulation resistance: 100 Mohms min.
 Dielectric withstanding voltage: 100 VAC (RMS)
 Temperature Rating:
 Operating temperature: -40°C to +85°C Δ
 Environmental:
 Lead free, RoHS compliant.



UNLESS OTHERWISE SPECIFIED ALL DIMENSIONS ARE INCHES [MM]. TOLERANCES: EXCEPT AS NOTED		
INCHES	HOLES	
.X ±.10	Ø.X ±.10	
.XX ±.020	Ø.XX ±.015	
.XXX ±.015	Ø.XXX ±.010	

ADAM TECH 909 Rahway Avenue,
 Union, NJ 07083
 Phone: 908-687-5000
 Fax: 908-687-5710

DRAWN	DY	12/18/09
CHECKED		
APPROVED		
THIS DRAWING CONTAINS INFORMATION THAT IS PROPRIETARY AND SHOULD NOT BE USED WITHOUT PRIOR WRITTEN PERMISSION FROM ADAM TECH		

TITLE UNIVERSAL SERIAL BUS, TYPE B FEMALE, RIGHT ANGLE, DIP TYPE, TRANSMISSION EFFICIENCY: 5 GBPS		
SIZE X	PART NO. USB-B3-S-RA	REV. E
REF: S00005C	SCALE: NTS	SHEET 1 OF 1

Looking for pricing, stock, or lifecycle information?

Click below to explore more details on WIN SOURCE:

- ⊖ [View USB-B3-S-RA on WIN SOURCE](#)
- ⊖ [Adam Technologies, Inc. Information](#)

Optimize Your Supply Chain with WIN SOURCE Solutions

- ✓ Global Sourcing Solution
- ✓ Obsolete Management
- ✓ Cost Control Management
- ✓ Shortage Management
- ✓ Alternative Solution
- ✓ Excess Inventory Management