



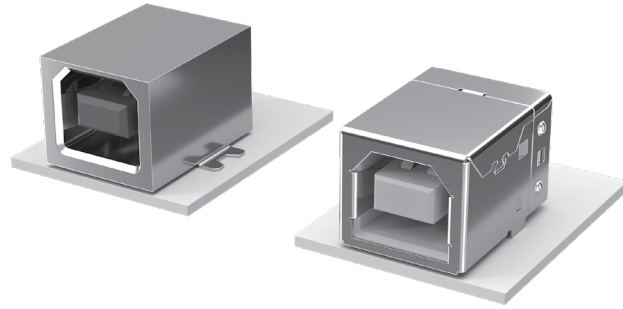
# THE DATASHEET OF USB-B-S-S-W-SM-TR





# STANDARD & RUGGED USB 2.0

## USB-B/USBR-B SERIES



### SPECIFICATIONS

**Insulator Material:**  
High Temperature Thermoplastic

**Contact Material:**  
Phosphor Bronze

**Plating:**  
Gold on Contacts, Nickel on Shell, Tin on Tails

**Operating Temp Range:**  
-50 °C to +85 °C

**Voltage Rating:**  
30 VAC/ 43 VDC

**Cycles:**  
1500  
(maximum number of cycles tested)

**Packaging:**  
Packaged and shipped in Bulk Packaging Trays; Trays suitable for automation are available upon request.

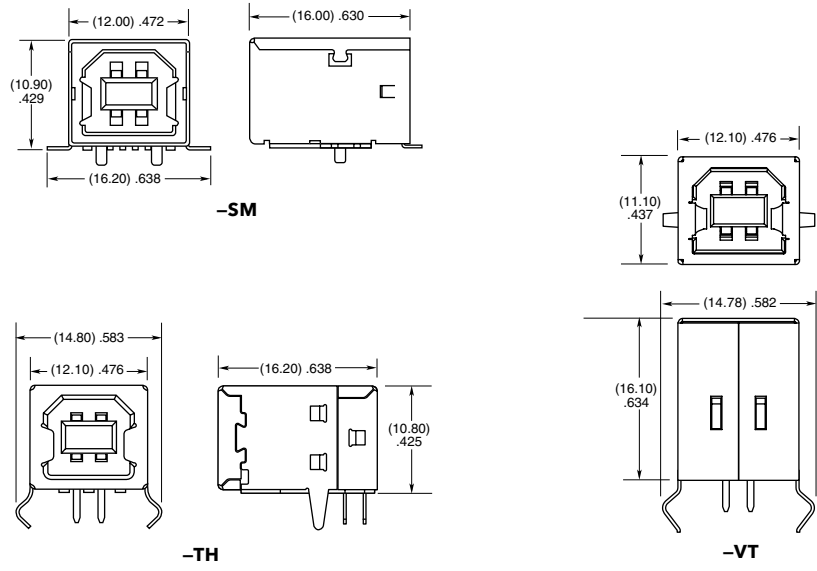
**Lead-Free Solderable:**  
USB-SM=Yes  
USB-TH=No, Lead Wave Only  
USB-VT=No, Lead Wave Only  
USBR=Yes

**TID Number:**  
USB-B-S-X-X-TH (61001155)

SERIES	B	S	PLATING	COLOR	TERMINATION	OTHER OPTION
--------	---	---	---------	-------	-------------	--------------

<b>USB</b> = Standard Connector  <b>USBR</b> = Increased Retention Connector (Complies with Class 1, DIV II minimum withdrawal requirement of 15N)	<b>-F</b> = Gold Flash on Mating Area, Tin on Tails  <b>-S</b> = 30 μm (0.76 μm) Gold on Mating Area, Tin on Tails	<b>-B</b> = Black (USB only)  <b>-W</b> = White (USB only)  <b>-O</b> = Pantone 2028C (Orange) (Color may vary between shades of orange and red due to the molding process)* (USBR only)	<b>-TH</b> = Through-hole  <b>-SM</b> = Surface Mount (USB only)  <b>-VT</b> = Vertical Top Entry	<b>-TR</b> = Tape and Reel (-SM only)  <b>-FR</b> = Full Reel Tape & Reel (must order maximum quantity per reel; contact Samtec for quantity breaks) (-SM only)
--	--	---	--	---



MATING / UNMATING FORCE (100 CYCLES)		
SERIES	MATING	UNMATING
USB	5.3 (23.59 N)	6.1 (27.15 N)
USBR	11.8 (52.51 N)	11.5 (51.18 N)



View complete specifications at: [samtec.com?USB-B](http://samtec.com?USB-B) or [samtec.com?USBR-B](http://samtec.com?USBR-B)

## Looking for pricing, stock, or lifecycle information?

Click below to explore more details on WIN SOURCE:

-  [View USB-B-S-S-W-SM-TR on WIN SOURCE](#)
-  [Samtec Inc. Information](#)

## Optimize Your Supply Chain with WIN SOURCE Solutions

-  Global Sourcing Solution
-  Obsolete Management
-  Cost Control Management
-  Shortage Management
-  Alternative Solution
-  Excess Inventory Management