



**THE DATASHEET OF
MAS27A29ERB120Q**

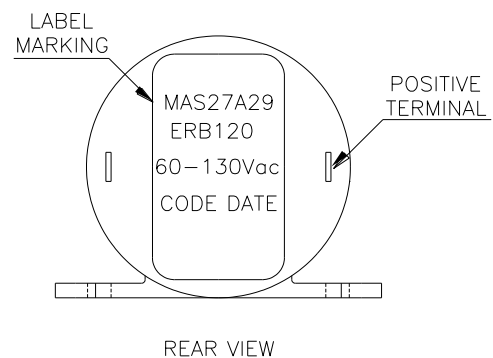
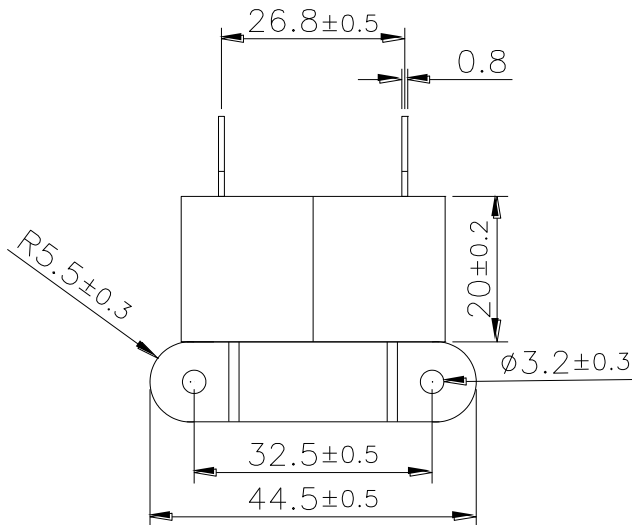
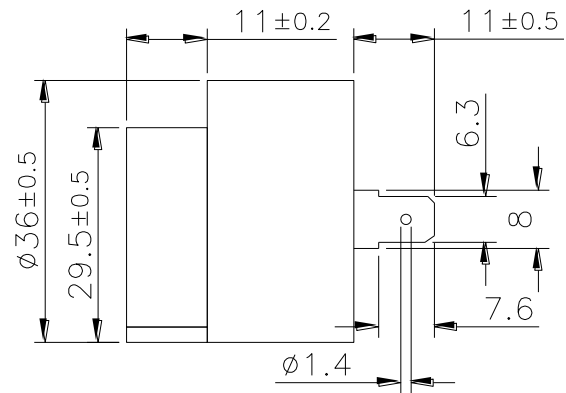
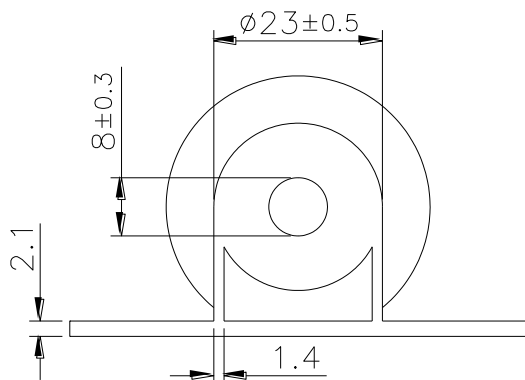


**May not be suitable for all medical and aerospace applications.
Specifications: Contact Mallory Sonalert to discuss your application.**

Oscillation Frequency (Hz)	Multiple
Operating Voltage (Vac)	60 ~ 130
Rated Voltage (Vac)	120
Current Consumption (mA)	20 at Rated Voltage
Sound Pressure (dB)	90 @ 1Ft @ Rated Voltage
Tone/Pulse Rate	Fast Chirp
Operating Temperature (°C)	-20 ~ +70
Storage Temperature (°C)	-30 ~ +80
Lead Pin	Tin Plated Brass
Housing	ABS 757 Plastic resin (Color: Black)
Weight (Grams)	24
Options	For other options contact factory

Dimensions: (units: mm)

ROHS Compliant



Looking for pricing, stock, or lifecycle information?

Click below to explore more details on WIN SOURCE:

- ⊖ [View MAS27A29ERB120Q on WIN SOURCE](#)
- ⊖ [Mallory Sonalert Products Inc. Information](#)

Optimize Your Supply Chain with WIN SOURCE Solutions

- ✓ Global Sourcing Solution
- ✓ Obsolete Management
- ✓ Cost Control Management
- ✓ Shortage Management
- ✓ Alternative Solution
- ✓ Excess Inventory Management