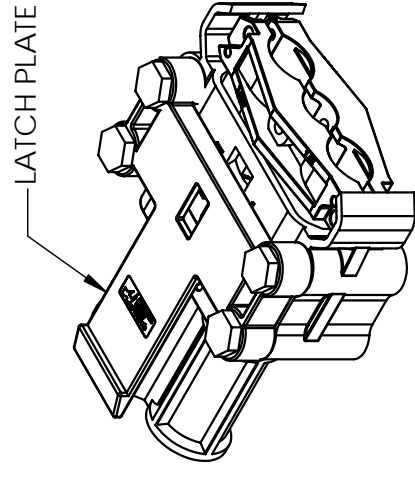
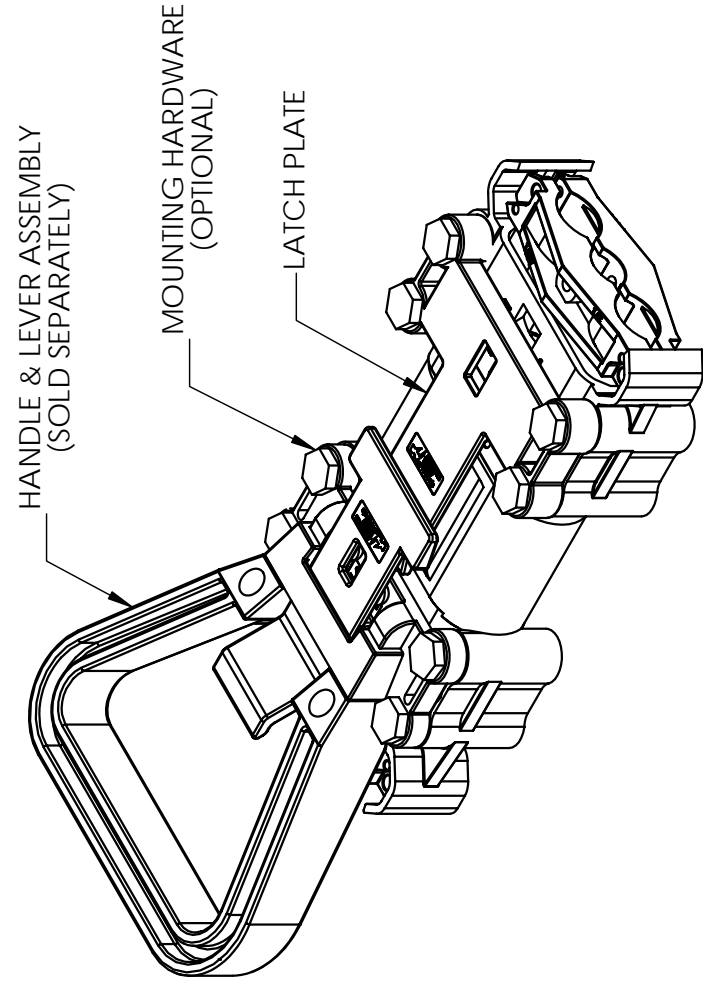
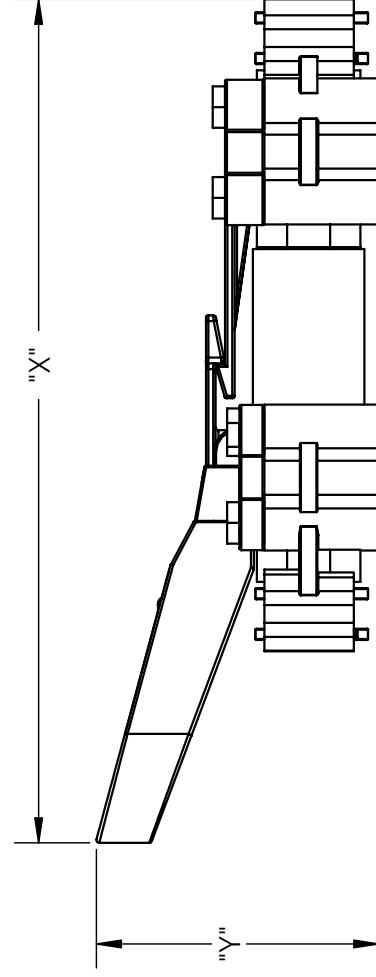


E



D

C



B

NOTES:

1. FOR USE WITH 160A & 320A DIN CONNECTORS
2. LEVER PLATE CAN BE MOUNTED ON THE TOP (AS SHOWN) OR BOTTOM OF THE PIN AND SOCKET HOUSINGS
3. CONNECTORS AND HANDLE & LEVER ASSEMBLY SOLD SEPARATELY
4. HDW. BAG 106G17: (2) SCREWS, NUTS, AND WASHERS
HDW. BAG 106G11: (4) SCREWS, NUTS, AND WASHERS

A

CAT. NO.	INCLUDES THE FOLLOWING:
A320H	HANDLE
A320H-MK	HANDLE, HARDWARE BAG
A320HL	HANDLE & LEVER ASSY.
A320HL-MK	HANDLE & LEVER ASSY., HARDWARE BAG
A320LP	LATCH PLATE
A320LP-MK	LATCH PLATE, HARDWARE BAG
106G17	HARDWARE BAG FOR HANDLE (A320H & A320HL)
106G11	HARDWARE BAG FOR LATCH (A320LP)

DIMENSIONS
ARE IN
INCHES

DECIMALS
.XX ± 0.01

MATERIAL
MATERIAL

FINISH:

PROJECTION

CONNECTOR USED ON	DIM "X"		DIM "Y"	
	IN	MM	IN	MM
160A SERIES	8.70	220.9	2.95	74.8
320A SERIES	9.21	233.9	3.24	82.2

2 ECRN 14160 - CHANGE 106G17 QTY. FROM (4) TO (2) AMS 06/20/07

1 ECRN 14076 - REVISE PART NUMBERS AMS 11/13/06

REV. DESCRIPTION OF CHANGES APPROVED DATE

8

7

6

5

4

Looking for pricing, stock, or lifecycle information?

Click below to explore more details on WIN SOURCE:

- ⊖ [View A320H on WIN SOURCE](#)
- ⊖ [Anderson Power Products, Inc. Information](#)

Optimize Your Supply Chain with WIN SOURCE Solutions

- ✓ Global Sourcing Solution
- ✓ Obsolete Management
- ✓ Cost Control Management
- ✓ Shortage Management
- ✓ Alternative Solution
- ✓ Excess Inventory Management