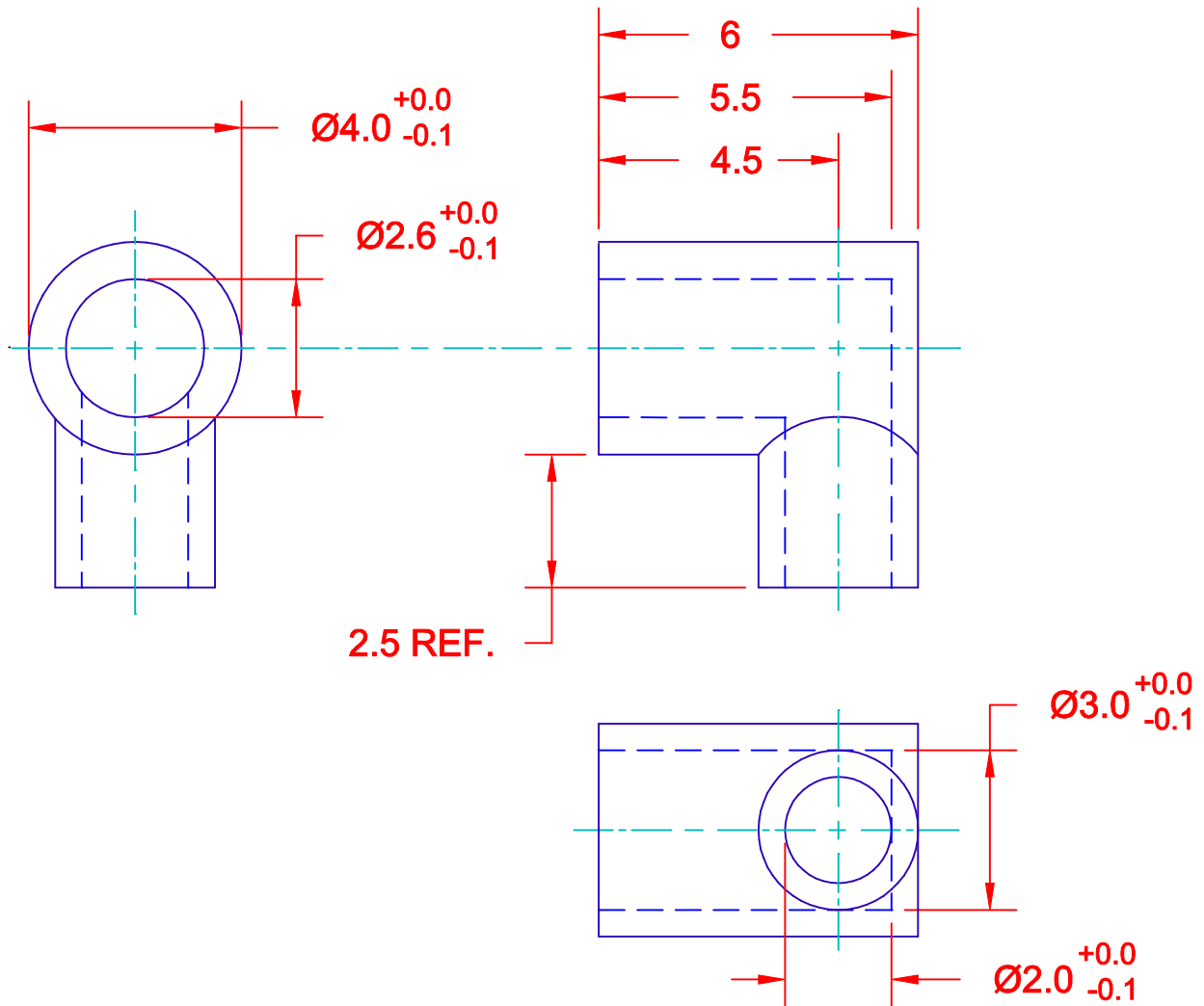


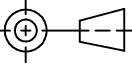


**THE DATASHEET OF
BF2.6/RC**







MATERIAL: SILICONE RUBBER UL94V-0
 COLOR: BLACK

			METRIC  THIRD ANGLE PROJECTION		DIMENSIONS ARE IN MILLIMETERS TOLERANCE UNLESS OTHERWISE SPECIFIED 1 PL +/- 0.1 2 PL +/- 0 ANGLE +/- 0		JKL COMPONENTS CORPORATION			
					TITLE		2.6mm FLUORESCENT END CAP			
RELEASED			3/18/03		DRAWN BY		FSCM NO.		DRAWING NO.	
			L. WENGSTROM		APPV'D BY DATE		A 55335		BF2.6/RC	
					SCALE		NONE		REVISION DATE	
REV. NO.			DESCRIPTION/ECO NUMBER		APPV'D DATE		RELEASED DATE		REV. NO.	
					- CAD DRAWING -		3/18/03		1 of 1	
					MANUAL REVISIONS NOT PERMITTED					

Looking for pricing, stock, or lifecycle information?

Click below to explore more details on WIN SOURCE:

-  [View BF2.6/RC on WIN SOURCE](#)
-  [JKL Components Corp. Information](#)

Optimize Your Supply Chain with WIN SOURCE Solutions

-  Global Sourcing Solution
-  Obsolete Management
-  Cost Control Management
-  Shortage Management
-  Alternative Solution
-  Excess Inventory Management