



**THE DATASHEET OF  
WAU24-1800**



### WAU24-1800

**Electrical Specifications (@25C)**

1. Primary Rating: 120V 60Hz (52.5W @ Full Load)
2. Primary Excitation Current: 85mA Max
3. Secondary Rating: 24VAC ± 5%, 1800mA AC
4. Secondary No-Load Rating: 26.95VAC Ref.
5. Operating Temperature Range: -10 Deg C to +40 Deg C
6. Temperature Rise: 75 Deg C Max at rated load  
50 Deg C Max on enclosure surface

**Mechanical Parameters:**

Case Type: Thermoplastic molded enclosure.  
Output Cord: 24 AWG, 6 Ft. Long Min.

Agency File:

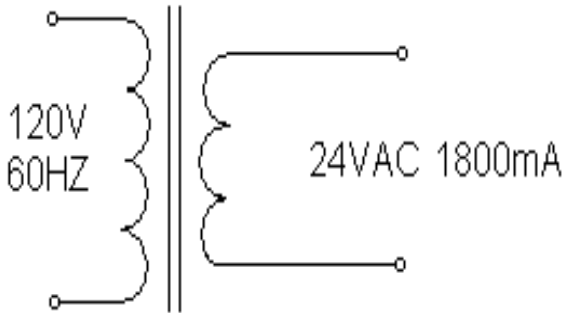
UL/CUL: File E245587, UL 1310

**A. Dimensions:**

H	W	D
85	68	55

\*Units: In Millimeter

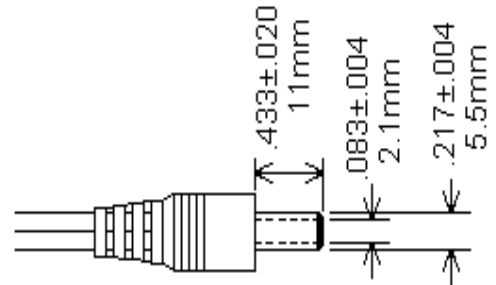
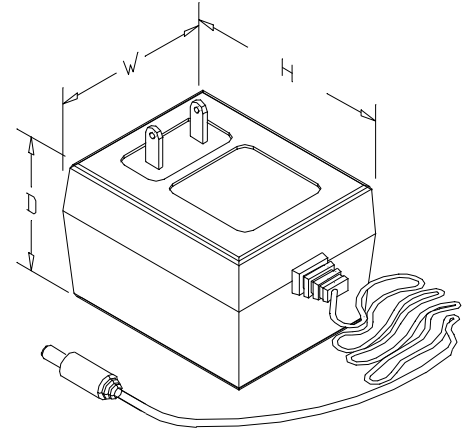
**B. Schematic:**



**DOE Compliance:** Effective December 30, 2017, the DOE will now not consider an external power supply with specific characteristics to meet the definition of a device that is subject to EPCA regulation, as long as the power supply is not distributed for use with consumer products.


**RoHS Compliance:** As of manufacturing date February 2016, all standard products meet the requirements of 2015/863/EU, known as the RoHS 3 initiative.

\* Upon printing, this document is considered “uncontrolled”. Please contact Triad Magnetics’ website for the most current version.




## TRIAD

**CLASS 2 POWER SUPPLY**  
**MODEL:WAU24-1800**  
**INPUT:120VAC 60Hz,52.5W**  
**OUTPUT:24VAC @1800mA**



LISTED  
5G66  
E245587



**MADE IN CHINA XXXX**  
 FOR INDUSTRIAL AND COMMERCIAL USE ONLY

## Looking for pricing, stock, or lifecycle information?

Click below to explore more details on WIN SOURCE:

 [View WAU24-1800](#) on WIN SOURCE

 [Triad Magnetics](#) Information

## Optimize Your Supply Chain with WIN SOURCE Solutions

-  Global Sourcing Solution
-  Obsolete Management
-  Cost Control Management
-  Shortage Management
-  Alternative Solution
-  Excess Inventory Management