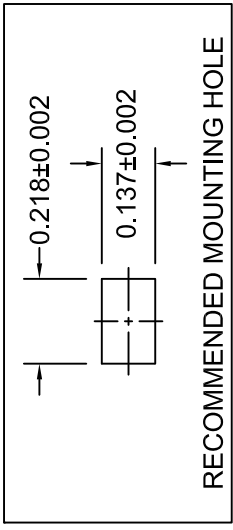
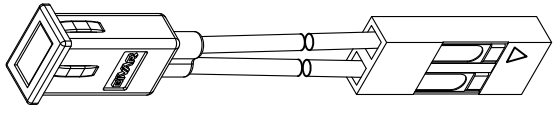
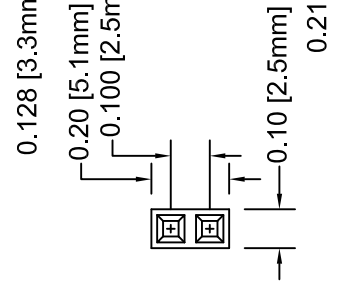
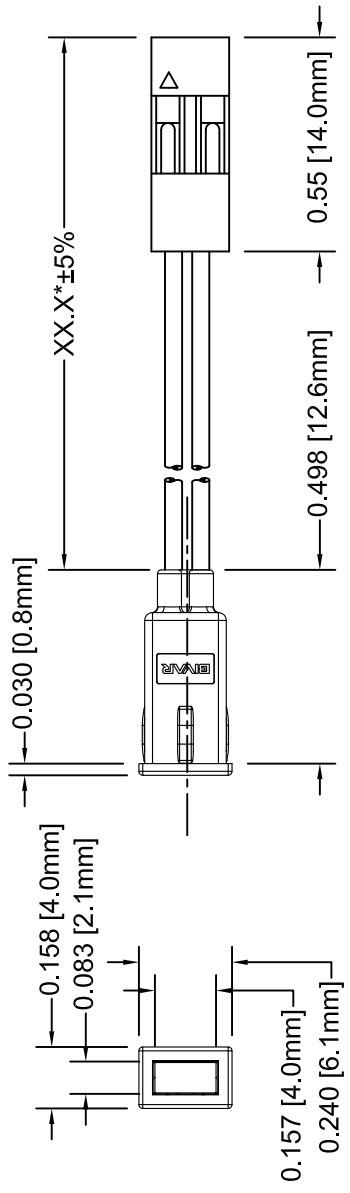




**THE DATASHEET OF
PMR4GDW12.0-CC**



REV.	DE
A	Engineering Release
B	Engineering Update w
C	Updated per EOL Not



ABSOLUTE MAXIMUM RATINGS (Ta = 25°C)

REVERSE VOLTAGE _____ 5V
 REVERSE CURRENT (VR=5V) _____ 100µA
 OPERATING TEMPERATURE RANGE _____ -25°C ~ 85°C
 STORAGE TEMPERATURE _____ -30°C ~ 100°C
 LEAD SOLDERING TEMPERATURE (1/16" FROM BODY) _____ 260°C for 5 Seconds

CUSTOM

STANDARD TOLERANC
(UNLESS OTHERWISE SPECIFI

DECIMALS	ANGULAR
.X ±.1	X° ±
.XX ±.02	
.XXX ±.010	



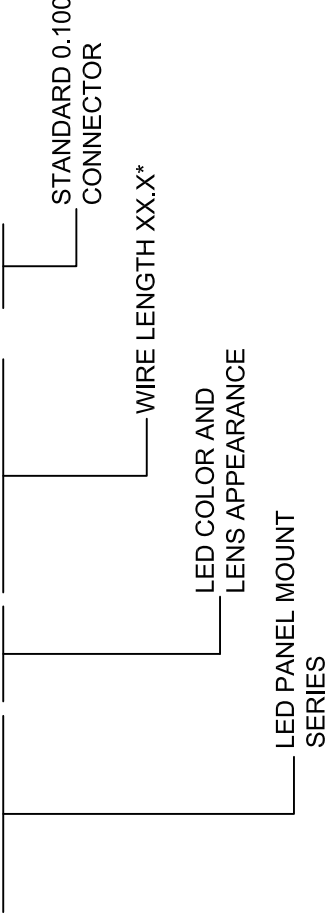
DESIGNED:	R. Paje	DATE:	07/13
REVISED:	V. Chavez	DATE:	06/20
CHECKED:	A. Valdez	DATE:	06/22

AVAILABLE CONFIGURATIONS

Assy P/N	Emitted Color	Peak Wave Length λ_p (nm)	Lens Appearance	Absolute Max. Ratings			Vf (V)	
				Pd (mW)	If (mA)	Peak If (mA)	TYP	MAX
STANDARD SINGLE COLOR LED ASSEMBLIES (20mA)								
PMR4ADWXX.X-CC	AMBER	605		80	30	150	2.0	2.8
PMR4GDWXX.X-CC	GREEN	568	DIFFUSED	80	30	150	2.1	2.8
PMR4RDWXX.X-CC	RED	700		45	30	80	2.1	2.6

PART NUMBER DESIGNATION

P M R 4 G D W X X . X - C C



CUSTOMER

NOTES:
1. ADDITIONAL LED OPTICAL / ELECTRICAL DATA AVAILABLE @ WWW.BIVAR.COM

CAGE CODE	325559
SHEET SIZE	A

Looking for pricing, stock, or lifecycle information?

Click below to explore more details on WIN SOURCE:

 [View PMR4GDW12.0-CC on WIN SOURCE](#)

 [Bivar Inc. Information](#)

Optimize Your Supply Chain with WIN SOURCE Solutions

-  Global Sourcing Solution
-  Obsolete Management
-  Cost Control Management
-  Shortage Management
-  Alternative Solution
-  Excess Inventory Management