



**THE DATASHEET OF
TCT40-03E07K**



TCT40-03E07K

Description:

Triad control transformers come with tamper resistant shrouds for safety and a steel bracket welded to the bottom of the transformer for ease of mounting. These transformers are design and have the safety agency recognition for application where a Class 2 transformer is necessary. Some of the applications would include, but not limited to HVAC, Control boards, Lighting, etc.

Electrical Specifications (@25C):

1. Maximum Power: 40VA
2. Input (BLK-WHT): 120V, 50/60 Hz, (Fuse: 0.300A Max)
3. Output (BLU-BLU): 12V @ 3.34Amps. (Fuse: 4A Max)
4. Voltage Regulation: 15% TYP @ full load to no load
5. Temperature Rise: <math><40^{\circ}\text{C}</math> TYP
6. Hipot: 1500VAC – Input to Output, Input & Output to Core
7. Recommended Fusing: UL Listed, 3AG time-delay type. Fuse can be use on primary or secondary.

Construction:

Three flange bobbin construction with primaries and secondaries wound side by side for low capacitive coupling. Unit weight is 1.5 lbs.

Agency File:

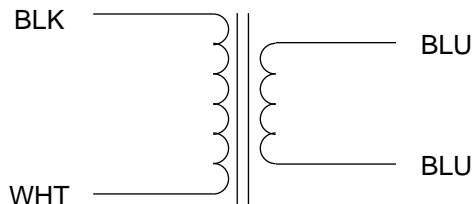
UL: File E65390, UL 5085-3 (1585), Class 2 Transformer
cUL: File E65390, UL 5085-3 (1585) For Canadian Use (CSA 22.2, No.66.3-06)



Connections:

Input: 12±1" (305mm) insulated leads, stripped and tinned 0.20±0.08", stranded 18 AWG, UL 1015 lead wire.
Output: 12±1" (305mm) insulated leads, stripped and tinned 0.20±0.08", stranded 18 AWG, UL 1015 lead wire.

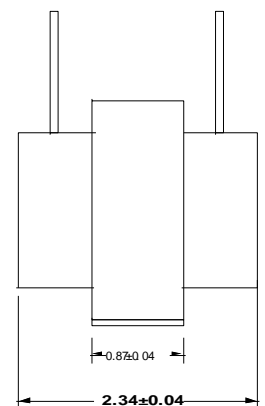
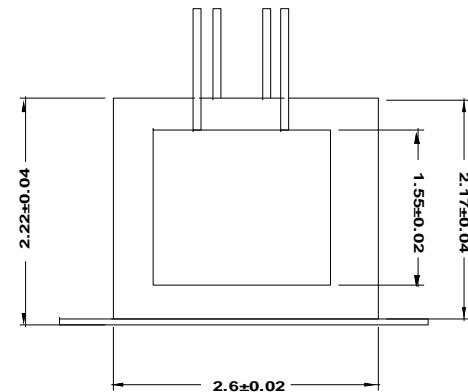
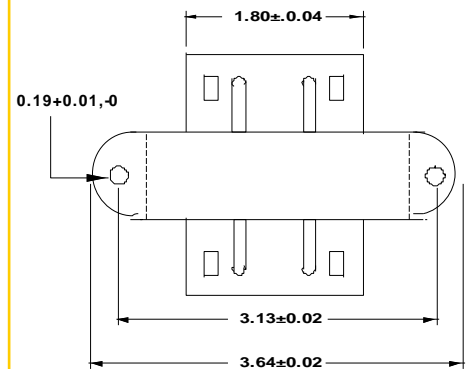
Schematic:



RoHS Compliance: As of manufacturing date February 2016, all standard products meet the requirements of 2015/863/EU, known as the RoHS 3 initiative.

As of April 7, 2008, UL standards 506 and 1585 will be migrated to UL 5085-2 and 5085-3, respectively.

* Upon printing, this document is considered "uncontrolled". Please contact Triad Magnetics' website for the most current version.



Looking for pricing, stock, or lifecycle information?

Click below to explore more details on WIN SOURCE:

 [View TCT40-03E07K on WIN SOURCE](#)

 [Triad Magnetics](#) Information

Optimize Your Supply Chain with WIN SOURCE Solutions

-  Global Sourcing Solution
-  Obsolete Management
-  Cost Control Management
-  Shortage Management
-  Alternative Solution
-  Excess Inventory Management