

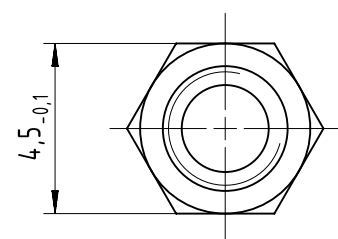
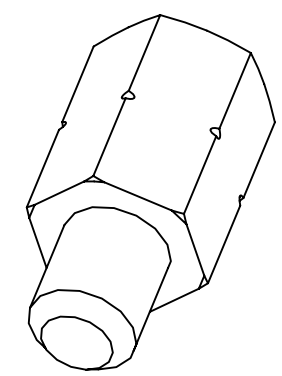
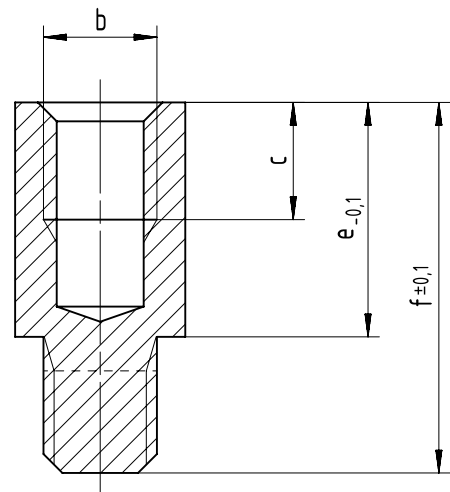
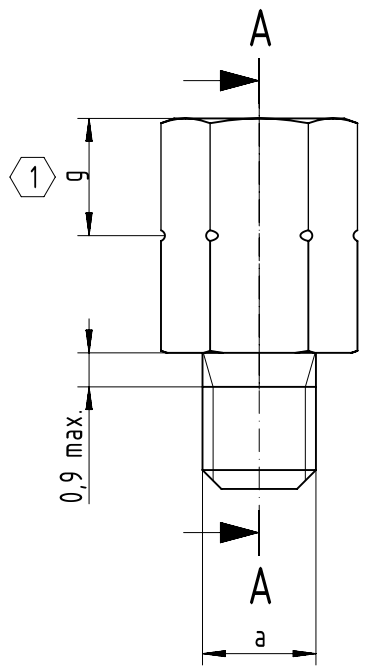
A

B


C

D

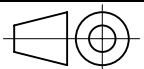
A-A



1 Special thread marking

	All rights reserved Department EL PD	All Dimensions in mm Original Size DIN A4	Scale 5:1	Free size tol.	Ref. Sub.
		Created by ZENG D <input checked="" type="checkbox"/>	Inspected by LUOK <input checked="" type="checkbox"/>	Standardisation KOHLER <input checked="" type="checkbox"/>	Date 08-Apr-2024
HARTING Electronics GmbH D-32339 Espelkamp		Title D-Sub screw lock			Doc-Key / ECM-Nr. 100793383/UGD/001/A 500000137160
		Type TB	Number 096X00X9XXX		Rev. A
					Page 1/2

1		2		3			4		
No.	Part Number	Packaging	Height e	Total length f	Outer thread a	Inner thread b	c	g	
A	1	09660009972	100 pcs in a bag	6,2	9,8	4-40 UNC	4-40 UNC	4 min.	no
	2	09660009974	100 pcs in a bag	6,2	9,8	M3	4-40 UNC	4 min.	5,3
	3	09660009973	100 pcs in a bag	6,2	9,8	4-40 UNC	M3	4 min.	0,9
	4	09660009976	100 pcs in a bag	6,2	9,8	M3	M3	4 min.	3,1
	5	09660009977	100 pcs in a bag	6,2	9,8	M3	M2,6	4 min.	no
	6	09670009972	100 pcs in a bag	6,2	11	4-40 UNC	4-40 UNC	3,1 min.	no
	7	09670009974	100 pcs in a bag	6,2	11	M3	4-40 UNC	3,1 min.	5,3
B	8	09670019976	100 pcs in a bag	6,2	11	4-40 UNC	M3	3,1 min.	0,9
	9	09670019974	100 pcs in a bag	6,2	11	M3	M3	3,1 min.	3,1
	10	09670019956	100 pcs in a bag	5	11	4-40 UNC	4-40 UNC	3,1 min.	no
	11	09670019956580	5000 pcs in a bag	5	11	4-40 UNC	4-40 UNC	3,1 min.	no
	12	09670019958	100 pcs in a bag	5	11	M3	4-40 UNC	3,1 min.	4,1
	13	09670029048	100 pcs in a bag	5	11	4-40 UNC	M3	3,1 min.	0,9
	14	09670019959	100 pcs in a bag	5	11	M3	M3	3,1 min.	2,5
C	15	09670019941	100 pcs in a bag	5	13	4-40 UNC	4-40 UNC	3,1 min.	no
	16	09670019941580	5000 pcs in a bag	5	13	4-40 UNC	4-40 UNC	3,1 min.	no
	17	09670019954	100 pcs in a bag	5	13	M3	4-40 UNC	3,1 min.	4,1
	18	09670019954580	5000 pcs in a bag	5	13	M3	4-40 UNC	3,1 min.	4,1
	19	09670019998	100 pcs in a bag	5	13	4-40 UNC	M3	3,1 min.	0,9
	20	09670019947	100 pcs in a bag	5	13	M3	M3	3,1 min.	2,5
	21	09670019960	100 pcs in a bag	5	18	4-40 UNC	4-40 UNC	3,1 min.	no
D	22	09670019933	100 pcs in a bag	5	18	M3	4-40 UNC	3,1 min.	4,1
	23	09670019932	100 pcs in a bag	5	18	4-40 UNC	M3	3,1 min.	0,9
	24	09670019931	100 pcs in a bag	5	18	M3	M3	3,1 min.	2,5
	25								
	26								
	27								
	28								
E	29								
	30								
	31								
	32								



All Dimensions in mm
Original Size DIN A4

Scale
5:1

Free size tol.

Ref.

Sub.



All rights reserved
Department EL PD

Created by
ZENG D

Inspected by
LUOK

Standardisation
KOHLER

Date
08-Apr-2024

State
40 - Released

HARTING Electronics GmbH
D-32339 Espelkamp

Title
D-Sub screw lock

Type
TB

Number
096X00X9XXX

Doc-Key / ECM-Nr.
100793383/UGD/001/A
500000137160

Rev.
A

Page
2/2

Looking for pricing, stock, or lifecycle information?

Click below to explore more details on WIN SOURCE:

 [View 09670019960 on WIN SOURCE](#)

 [HARTING](#) Information

Optimize Your Supply Chain with WIN SOURCE Solutions

-  Global Sourcing Solution
-  Obsolete Management
-  Cost Control Management
-  Shortage Management
-  Alternative Solution
-  Excess Inventory Management