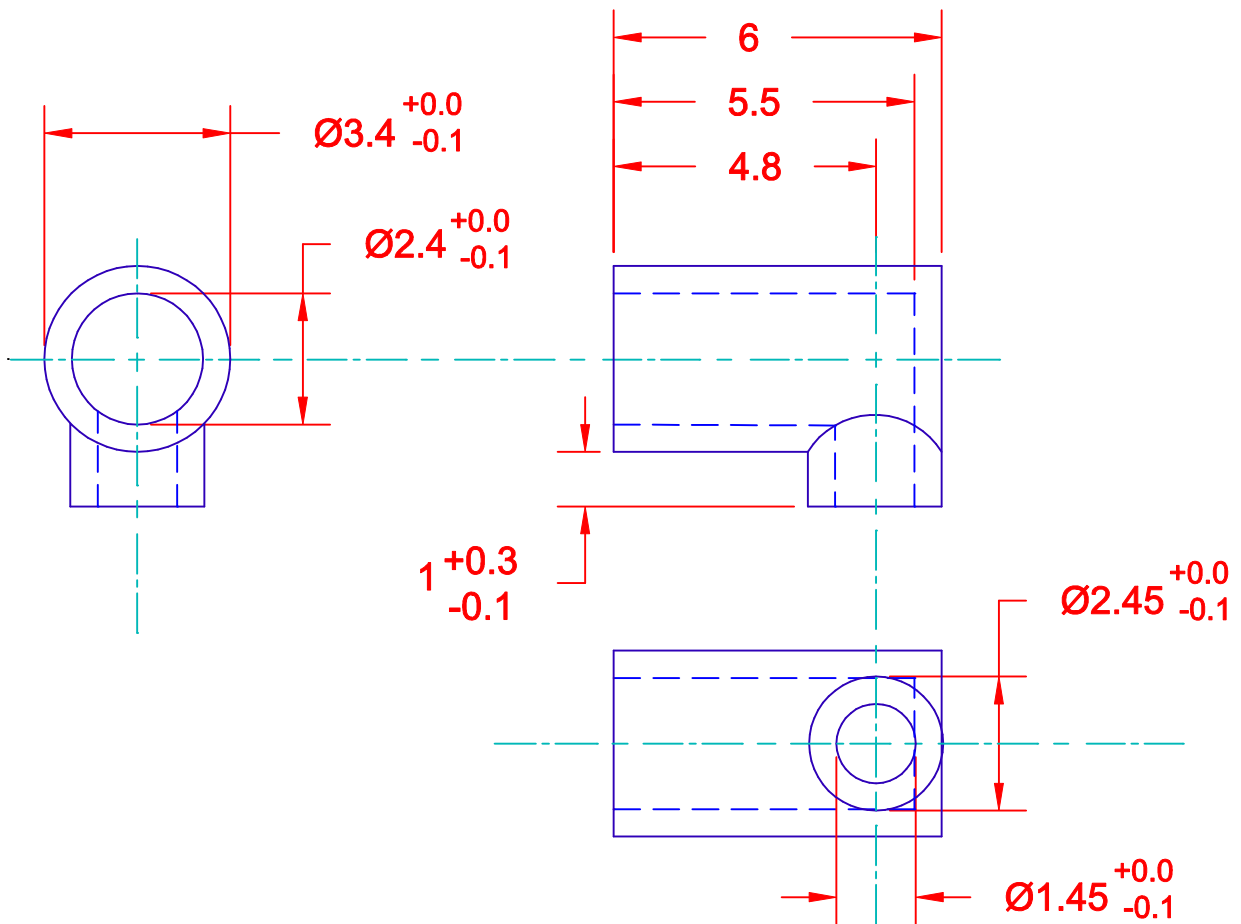




THE DATASHEET OF BF2.4/RC





MATERIAL: DOW CORNING SILICONE UL94V-0 54 SHORE HARDNESS

 THIRD ANGLE PROJECTION	METRIC DIMENSIONS ARE IN MILLIMETERS	JKL COMPONENTS CORPORATION					
	TOLERANCE UNLESS OTHERWISE SPECIFIED 1 PL +/- 0.1 2 PL +/- 0 ANGLE +/- 0				TITLE 2.4mm FLUORESCENT END CAPS		
DRAWN BY L. WENGSTROM	APPV'D BY F.D.	DATE 11/4/02	SIZE A	FSCM NO. 55335	DRAWING NO. BF2.4/RC		
REV. NO.	DESCRIPTION/ECO NUMBER	APPV'D DATE	SCALE NONE	RELEASED DATE 11/4/02	REVISION DATE	REV. NO.	SHEET 1 OF 1

REV. NO.	DESCRIPTION/ECO NUMBER	APPV'D DATE
RELEASED & CANCEL P-0208-04	11/4/02	11/4/02

- CAD DRAWING -
MANUAL REVISIONS NOT PERMITTED

Looking for pricing, stock, or lifecycle information?

Click below to explore more details on WIN SOURCE:

- ⊖ [View BF2.4/RC on WIN SOURCE](#)
- ⊖ [JKL Components Corp. Information](#)

Optimize Your Supply Chain with WIN SOURCE Solutions

- ✓ Global Sourcing Solution
- ✓ Obsolete Management
- ✓ Cost Control Management
- ✓ Shortage Management
- ✓ Alternative Solution
- ✓ Excess Inventory Management