



**THE DATASHEET OF  
YTQ-130-01-F-Q**

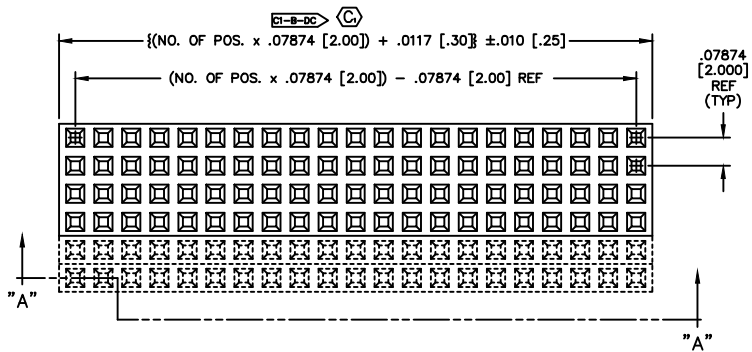


DIMENSIONS ARE IN INCHES		UNLESS OTHERWISE NOTED	TOLERANCES ARE:
ONE PLACE DECIMALS ±.1[2.5]	THREE PLACE DECIMALS ±.005[.127]	ANGLES	± 2°
TWO PLACE DECIMALS ±.01[.25]	FOUR PLACE DECIMALS ±.0020[.051]		

TITLE: 2MM SOCKET STRIP ASSEMBLY

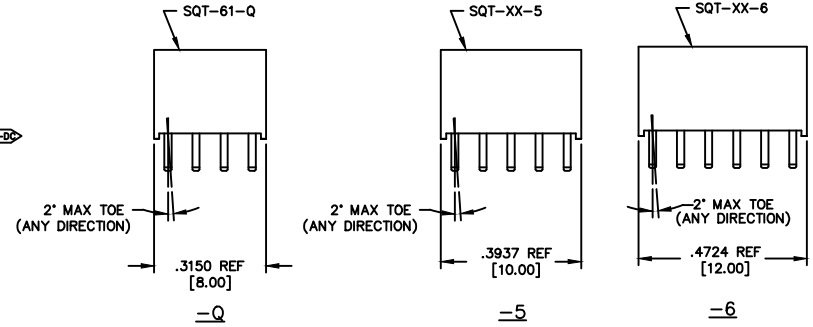
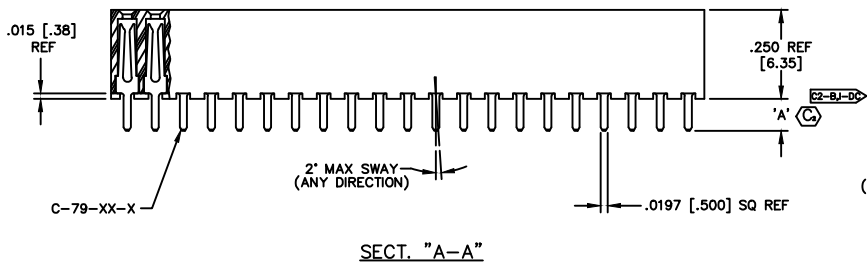
DWG NO: YTQ-1XX-XX-XX-X-XXX-XXX  
SHEET 1 OF 2

- NOTES:
1. MINIMUM CONTACT RETENTION: .5 lb PER PIN.
  2. CUT FLASH TO BE .020 [.50] MAX.
  3. TOE TO BE 2' MAX.
  4. HEIGHT VARIANCE, PIN TO PIN: .005 [.13] MAX.
  5. Ⓢ REPRESENTS A CRITICAL DIMENSION.



- YTQ-1XX-XX-XX-X-XXX-XXX
- POSITION SPECIFICATION**  
-02 THRU -50 (PER ROW)
  - LEAD STYLE SPEC**  
SEE TABLE 1
  - PLATING SPECIFICATION**
    - F: 3μ" FLASH SELECTIVE GOLD IN CONTACT AREA, MATTE TIN ON TAIL
    - L: 10μ" LIGHT SELECTIVE GOLD IN CONTACT AREA, MATTE TIN ON TAIL
    - G: 10μ" GOLD IN CONTACT AREA, 10μ" GOLD TAIL
    - S: 30μ" SELECTIVE GOLD IN CONTACT AREA, MATTE TIN ON TAIL
    - H: 30μ" HEAVY GOLD IN CONTACT AREA, 3μ" ON TAIL
    - FM: 3μ" FLASH SELECTIVE GOLD IN CONTACT AREA, MATTE TIN ON TAIL
    - LM: 10μ" LIGHT SELECTIVE GOLD IN CONTACT AREA, MATTE TIN ON TAIL
    - SM: 30μ" SELECTIVE GOLD IN CONTACT AREA, MATTE TIN ON TAIL
  - OPTION**
    - \* -SD1: SOLDER DONUT (SEE FIG 5)
    - \*\* -MW: METAL WASHER (SEE FIG 6) (AVAILABLE ON LEAD STYLES -01 & -03 ONLY) (5 POS MIN) (30 POS MAX)
  - POLARIZATION OPTION**  
-XXX INDICATES POSITION- SEE FIG 2 (USE PK-07-N)
  - ROW SPECIFICATION**
    - Q: QUAD (USE SQT-62-Q)
    - 5: FIVE ROW (USE SQT-50-5)
    - 6: SIX ROW (USE SQT-60-6)
- \* = NOT ENGINEERING APPROVED

**\*\* - MW OPTION, DO NOT DESIGN IN. SAMTEC WILL ONLY SUPPORT EXISTING BUSINESS 2/11/02.**



LEAD STYLE	'A'	CONTACT
-01	.090 [2.29]	C-79-01-X
-02	.600 [15.24]	C-79-02-X
-03	.208 [5.28]	C-79-53-X

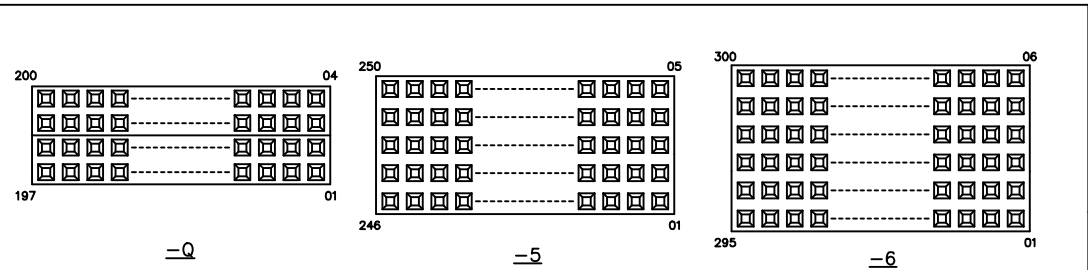


FIG 2  
POLARIZATION OPTION LOCATION  
INSERT PK-07-N INTO SPECIFIED POSITION AND BREAK OFF TAB

ASSEMBLY OPERATION   IN-PROCESS INSPECTION	
FILL	C2
ROTARY CUT	C1

**\*PROPRIETARY NOTE\***  
THIS DOCUMENT CONTAINS CONFIDENTIAL AND PROPRIETARY INFORMATION AND ALL RIGHTS, INCLUDING PATENT RIGHTS, ARE RESERVED BY SAMTEC, INC. THIS DOCUMENT SHALL NOT BE DISCLOSED, IN WHOLE OR IN PART, TO ANY UNAUTHORIZED PERSON OR ENTITY WITHIN OR OUTSIDE OF SAMTEC, INC. WITHOUT THE EXPRESS WRITTEN CONSENT OF SAMTEC, INC.

CONTACT: PHOS BRONZE  
MATERIAL: BLACK, LCP



520 PARK EAST BLVD. NEW ALBANY, INDIANA 47150  
PHONE (812) 944-6733 P.O. BOX 1147  
CODE 55322

MADE BY: BRATCHER 1-26-99

YTQ-1XX-XX-XX-X-XXX-XXX  
SHEET 1 OF 2

## Looking for pricing, stock, or lifecycle information?

Click below to explore more details on WIN SOURCE:

 [View YTQ-130-01-F-Q on WIN SOURCE](#)

 [Samtec Inc. Information](#)

## Optimize Your Supply Chain with WIN SOURCE Solutions

-  Global Sourcing Solution
-  Obsolete Management
-  Cost Control Management
-  Shortage Management
-  Alternative Solution
-  Excess Inventory Management