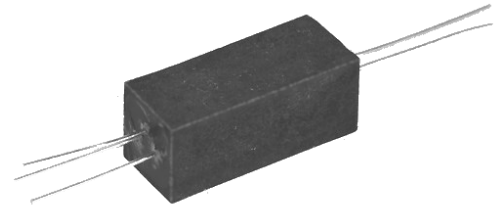




# Photologic® Optically Coupled Isolator

OPI126, OPI128

Obsolete (OPI125)



## Features:

- Multiple output options
- 15 kV dc input-to-output isolation voltage
- Direct TTL/STTL interface
- High noise immunity
- Data rates to 250 KBit/s
- Hermetically sealed
- UL File No. E 58730\*

## Description:

Each **OPI126** and **OPI128** consists of an optically coupled isolator with a gallium arsenide infrared emitting diode coupled to a monolithic integrated circuit. This circuit incorporates a photodiode, a linear amplifier and a Schmitt trigger on a single silicon chip. For maximum long-term stability, both the diode and the Photologic® sensor are hermetically sealed in separate packages and then mounted in a high dielectric plastic housing.

These devices feature TTL/LSTTL compatible logic level output that can drive up to 8 TTL loads directly without additional circuitry. Also featured are medium-speed data rates to 250 KBit/s, with typical rise and fall times of 70 nanoseconds.

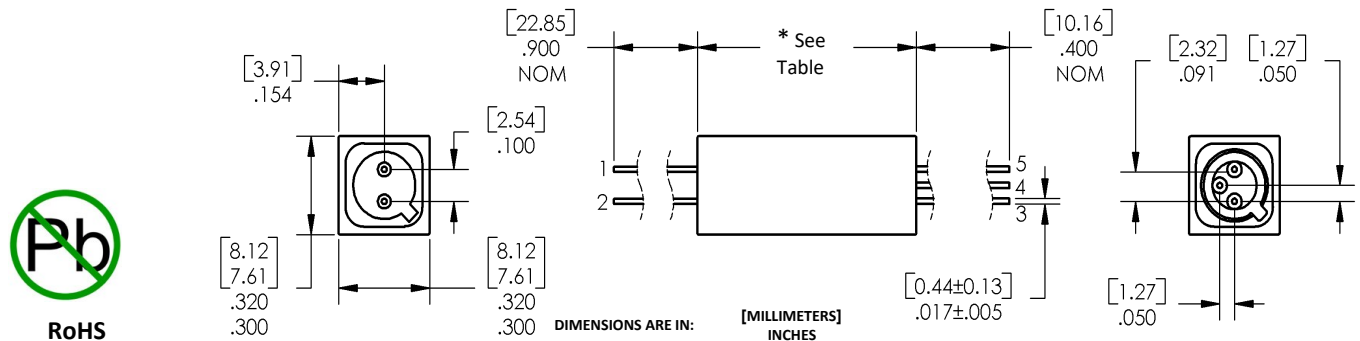
\*UL recognition is for 15 kV dc to 100° C.

## Applications:

- High voltage isolation between input and output
- Electrical isolation in dirty environments
- Industrial equipment
- Medical equipment
- Office equipment

Ordering Information								
Part Number	LED Peak Wavelength	Sensor Photologic®	Isolation Voltage (,000)	$t_{PLH} / t_{PHL}$ Typ ( $\mu$ s)	$I_F$ (mA) Typ / Max	$V_{CE}$ (Volts) Max	Lead Length / Spacing	Length
<b>OPI125</b> Obsolete	890 nm	Totem Pole	15	5 / 5	7.5 / 25	35.0	0.40" / 0.75"	0.75" [19 mm]
<b>OPI126</b>	935 nm	Open Collector						
<b>OPI128</b>	890 nm	Inverted Open Collector						

Pin #	LED	Pin #	Photologic®
1	Anode	3	Output
2	Cathode	4	$V_{CC}$
		5	Ground

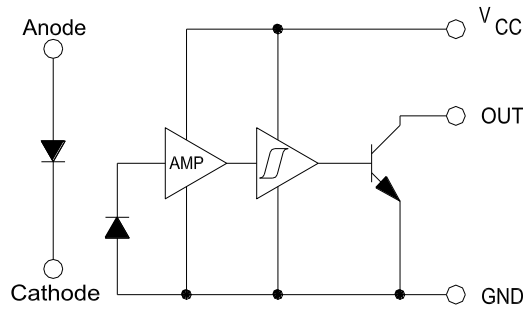


## General Note

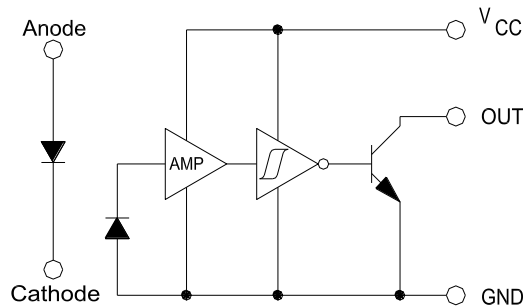
TT Electronics reserves the right to make changes in product specification without notice or liability. All information is subject to TT Electronics' own data and is considered accurate at time of going to print.

TT Electronics | OPTEK Technology  
2900 E. Plano Pkwy, Plano, TX 75074 | Ph: +1 972 323 2200  
www.ttelectronics.com | sensors@ttelectronics.com

### OPI126 - Open Collector Output



### OPI128 - Inverted Open Collector Output



### Absolute Maximum Ratings ( $T_A = 25^\circ\text{C}$ unless otherwise noted)

Storage Temperature	-55° C to +100° C
Operating Temperature	-55° C to +100° C
Supply Voltage, $V_{CC}$ (not to exceed 3 seconds)	+10 V
Input-to-Output Isolation Voltage <sup>(1)(2)</sup>	± 15 kVDC
Lead Soldering Temperature (1/16" (1.6 mm) from case for 5 seconds with soldering iron) <sup>(3)</sup>	260° C
<b>Input Diode</b>	
Forward DC Current	25 mA
Reverse DC Voltage	2 V
Power Dissipation <sup>(4)</sup>	200 mW
<b>Output Photosensor</b>	
Output Photologic® Power Dissipation <sup>(5)</sup>	120 mW
Duration of Output Short to $V_{CC}$ (OPI126, OPI128)	1.00 second
Voltage at Output Lead (OPI126, OPI128)	35 V

#### Notes:

- (1) Measured with input and output leads shorted.
- (2) UL recognition is for 15 kV dc for one minute.
- (3) RMA flux is recommended. Duration can be extended to 10 seconds maximum when flow soldering.
- (4) Derate linearly 1.33 mW/° C above 25° C.
- (5) Derate linearly 3.40 mW/° C above 90° C.

#### General Note

TT Electronics reserves the right to make changes in product specification without notice or liability. All information is subject to TT Electronics' own data and is considered accurate at time of going to print.

TT Electronics | OPTEK Technology  
2900 E. Plano Pkwy, Plano, TX 75074 | Ph: +1 972 323 2200  
www.ttelectronics.com | sensors@ttelectronics.com

# Photologic® Optically Coupled Isolator

OPI126, OPI128

Obsolete (OPI125)



## Electrical Characteristics (T<sub>A</sub> = -40° C to +85° C unless otherwise noted)

SYMBOL	PARAMETER	MIN	TYP	MAX	UNITS	TEST CONDITIONS
<b>Diode Input</b> (See OP130 and OP230 for additional information - for reference only)						
V <sub>F</sub>	Forward Voltage	-	-	1.5	V	I <sub>F</sub> = 10 mA, T <sub>A</sub> = 25° C
I <sub>R</sub>	Reverse Current	-	-	100	μA	V <sub>R</sub> = 2 V, T <sub>A</sub> = 25° C
I <sub>F</sub> (+)	LED Positive-Going threshold Current	-	-	7.5	mA	V <sub>CC</sub> = 5 V, T <sub>A</sub> = 25° C
I <sub>F</sub> (+)/I <sub>F</sub> (-)	Hysteresis Ratio	-	2.0	-	-	-
<b>Photologic® Output</b> (See OP800 and OP801 for additional information - for reference only)						
V <sub>CC</sub>	Operating Supply Voltage	4.5	-	5.5	V	-
I <sub>CC</sub>	Supply Current	-	-	20	mA	V <sub>CC</sub> = 5.5 V, I <sub>F</sub> = 0 or 7.5 mA
V <sub>OL</sub>	Low Level Output Voltage OPI126 OPI128	- -	- -	0.40 0.40	V	V <sub>CC</sub> = 4.5 V, I <sub>OL</sub> = 13 mA, I <sub>F</sub> = 0 mA V <sub>CC</sub> = 4.5 V, I <sub>OL</sub> = 13 mA, I <sub>F</sub> = 7.5 mA
I <sub>OH</sub>	High Level Output Current OPI126 OPI128	- -	- -	100 100	μA	V <sub>CC</sub> = 4.5 V, V <sub>OH</sub> = 30 V, I <sub>F</sub> = 7.5 mA V <sub>CC</sub> = 4.5 V, V <sub>OH</sub> = 30 V, I <sub>F</sub> = 0 mA
t <sub>r</sub> , t <sub>f</sub>	Output Rise Time, Output Fall Time OPI126, OPI128	-	100	-	ns	V <sub>CC</sub> = 5 V, T <sub>A</sub> = 25° C, I <sub>F</sub> = 0 or 10 mA, f = 10 kHz, D.C. = 50 %, R <sub>L</sub> = 360 Ω
t <sub>PLH</sub> , t <sub>PHL</sub>	Propagation Delay, Low-High, High-Low OPI126, OPI128	-	5	-	μs	V <sub>CC</sub> = 5 V, T <sub>A</sub> = 25° C, I <sub>F</sub> = 0 or 10 mA, f = 10 kHz, D.C. = 50 %, R <sub>L</sub> = 360 Ω


### General Note

TT Electronics reserves the right to make changes in product specification without notice or liability. All information is subject to TT Electronics' own data and is considered accurate at time of going to print.

TT Electronics | OPTEK Technology  
2900 E. Plano Pkwy, Plano, TX 75074 | Ph: +1 972 323 2200  
www.ttelectronics.com | sensors@ttelectronics.com

## Looking for pricing, stock, or lifecycle information?

Click below to explore more details on WIN SOURCE:

 [View OPI126 on WIN SOURCE](#)

 [TT Electronics](#) Information

## Optimize Your Supply Chain with WIN SOURCE Solutions

-  Global Sourcing Solution
-  Obsolete Management
-  Cost Control Management
-  Shortage Management
-  Alternative Solution
-  Excess Inventory Management