



**THE DATASHEET OF
GCHDLP62M62M**



SPECIFICATIONS:

MATERIALS:

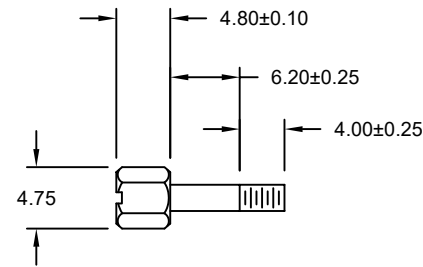
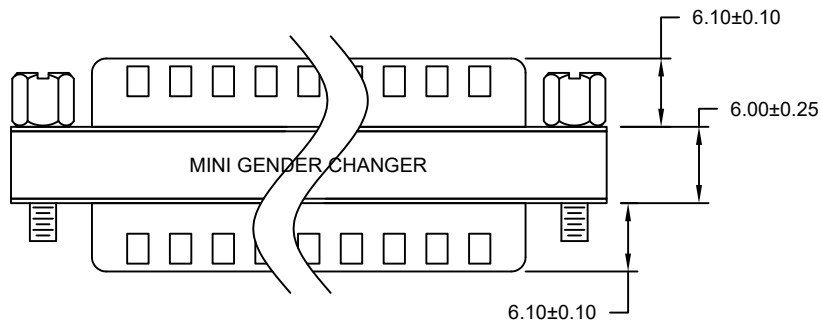
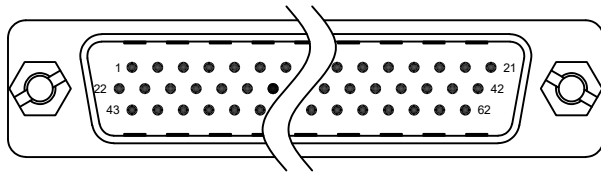
HOUSING: PBT, UL94 V-0
 CONTACTS: GOLD FLASH PLATED BRASS
 SHELL: TIN PLATED STEEL

ELECTRICAL:

RATED CURRENT: 3A
 WORKING VOLTAGE: 250V
 INSULATION RESISTANCE: 1000 MOhms MIN.
 CONTACT RESISTANCE: 15 mOhms MAX.

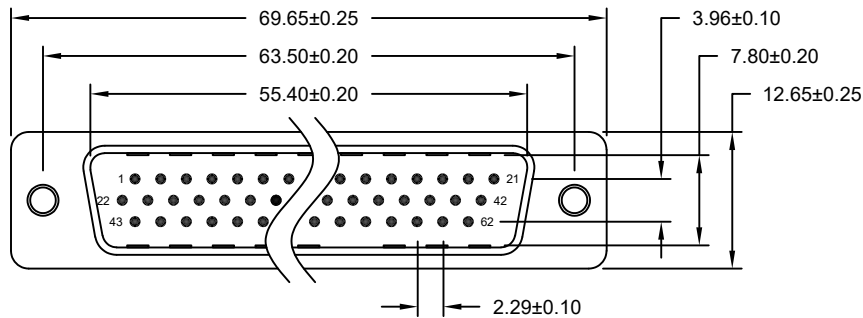
ENVIRONMENT:

OPERATING TEMPERATURE: -55°C TO +105°C



UNC #4-40 HEXSCREW (INTERNAL & EXTERNAL THREADS)

62-PIN MALE	62-PIN MALE
1	1
2	2
3	3
61	61
62	62
SHELL	SHELL
PIN OUT	



RoHS COMPLIANT

UNITS = inch [mm]

DO NOT SCALE FROM DRAWING



THESE DRAWINGS AND SPECIFICATIONS ARE THE PROPERTY OF NorComp AND SHALL NOT BE REPRODUCED, COPIED OR USED AS THE BASIS FOR THE MANUFACTURE OR SALE OF APPARATUS WITHOUT WRITTEN PERMISSION.

DRAWN:

C. SMITH

DATE:

10/12/2007

NorComp

SCALE: NTS

SHEET 1 OF 1

REV 5

DWG NO.

GCHDLP62M62M

Looking for pricing, stock, or lifecycle information?

Click below to explore more details on WIN SOURCE:

 [View GCHDLP62M62M on WIN SOURCE](#)

 [NorComp Inc. Information](#)

Optimize Your Supply Chain with WIN SOURCE Solutions

-  Global Sourcing Solution
-  Obsolete Management
-  Cost Control Management
-  Shortage Management
-  Alternative Solution
-  Excess Inventory Management