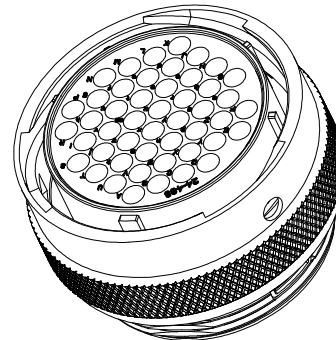
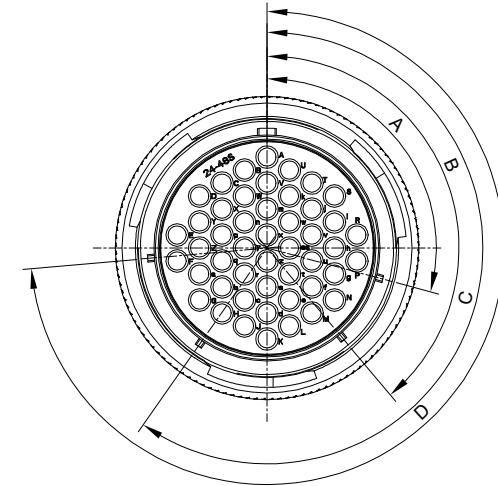
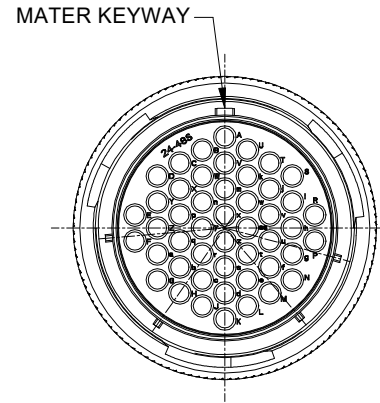
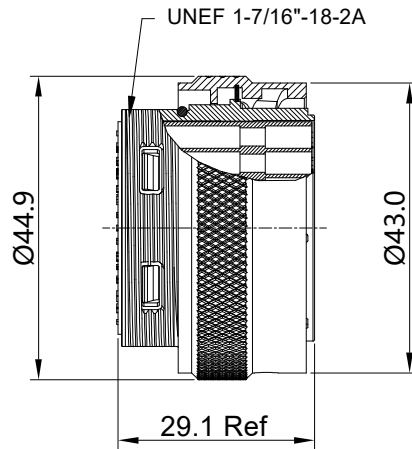




**THE DATASHEET OF
RT062448SNH**



REVISIONS					
REV	ECO	DESCRIPTION	DATE	BY	APPR
B1	-	RELEASED DRAWING	JUN-13-2014	BEN	TOMMY
B2	-	UPDATE VOLTAGE&CURRENT AND ADD KEY	MAR-4-2021	FLAN	TOMMY
B3	-	UPDATE CURRENT	May-10-2021	FLAN	TOMMY
B4	-	UPDATE RATED CURRENT	MAY-3-2023	JUN	TOMMY



NOTES: (UNLESS OTHERWISE SPECIFIED)

- MATERIAL:
 - SHELL: ZINC ALLOY, NICKEL PLATED.
 - INSERT: THERMOPLASTIC, UL94 V-0.
 - COULPING NUT: AL ALLOY, NICKEL PLATED.
 - O-RING: NBR/SILICONE RUBBER.
 - WAVE WASHER: STAINLESS STEEL.
- SPECIFICATIONS:
 - 2.1 RATED CURRENT: 3A (MAX).
 - 2.2 RATED VOLTAGE: 500V (AC/DC).
 - 2.3 OPERATING TEMPERATURE: SEE CHART.
 - 2.4 DIELECTRIC WITHSTANDING VOLTAGE: LESS THAN 2 MILLIAMPS CURRENT LEAKAGE@2000 VOLTS AC.
 - 2.5 INSULATION RESISTANCE: 5000 MEGOHMS MIN.
 - 2.6 IP--CLASS: IP67(MATED CONNECTOR).
 - 2.7 MATING CYCLES DURABILITY: 500 CYCLES MIN.
 - 2.8 RoHS COMPLIANT.
- SUITABLE CONTACTS : 16# CONTACTS.
- ALL DIMENSIONS ARE FOR REFERENCE USE ONLY.



KEY POS	PART NUMBER		A	B	C	D
	-40°C ~ 105°C	-40°C ~ 125°C				
N	RT062448SNH	RT062448SNH03	105°	140°	215°	265°
W	RT062448SWH	RT062448SWH03	60°	140°	215°	265°
X	RT062448SXH	RT062448SXH03	105°	120°	215°	265°

QUANTITY	SEE PART NUMBER CHART	DESCRIPTION	ITEM
MATERIALS LIST			
UNLESS OTHERWISE SPECIFIED 1) All dimensions are in metric(mm). 2) Tolerances are as follows: 1 PL DEC ±0.30 2 PL DEC ±0.15 3 PL DEC ±0.08 Fractions ±1/64 Angles ±1° 3) Note reference =		SIGNATURES DATE DRAWN: JUN MAY-3-2023 CHECKED: JOE MAY-5-2023 ENGINEER: APPROVAL: TOMMY MAY-8-2023 CUSTOMER:	Amphenol Sine Systems - www.amphenol-sine.com 44724 Morley Drive Clinton Township, MI 48036
MATERIAL SPECIFICATIONS: PROCESS SPECIFICATIONS: NEXT ASSY:		THIS DRAWING IS SUPPLIED FOR INFORMATION ONLY. DESIGN FEATURES, SPECIFICATIONS AND PERFORMANCE DATA SHOWN HEREON ARE THE PROPERTY OF THE AMPHENOL CORPORATION. NO RIGHTS OF REPRODUCTION ARE IMPLIED. ALL DIMENSIONS ARE SUBJECT TO NORMAL MANUFACTURING VARIATIONS.	EcoMate RM, PLUG, SIZE 24, 48POS, SOCKET. SIZE TYPE DWG NO: RT062448S*H* REVISION B4 SCALE NONE SHEET 1 OF 1

TITLE: EcoMate PLUG, SIZE 24, 48POS, SOCKET. DWG NO.: RT062448S*H* REV: B4 SH: 1 OF: 1

Looking for pricing, stock, or lifecycle information?

Click below to explore more details on WIN SOURCE:

-  [View RT062448SNH on WIN SOURCE](#)
-  [Amphenol Sine Systems Corp Information](#)

Optimize Your Supply Chain with WIN SOURCE Solutions

-  Global Sourcing Solution
-  Obsolete Management
-  Cost Control Management
-  Shortage Management
-  Alternative Solution
-  Excess Inventory Management