

Featured Products

Filtered Mighty Mouse

Glenair's filtered Mighty Mouse connectors provide significant size and weight savings compared to larger mil-spec connectors. Designed to meet stringent aerospace performance requirements, Mighty Mouse filtered connectors are offered with standard filter arrays or with customized filters to meet your specific needs.



Right Angle Board Mount Connectors

Now available with 3, 4, 7, 10, 13 and 19 contacts, these connectors offer military grade performance in a small, economical package. These connectors are rated for MIL-STD-810 Method 512 immersion. Available in Series 800 and Series 801.

Meet the "Clicker"

Series 801 plugs are now available with a ratcheting mechanism. The ratcheting coupling nut prevents unintended demating when subjected to high levels of shock and vibration. The coupling nut is .100" larger than the standard self-locking nut. The Series 801 double-start Mighty Mouse connector is widely used on battlefield computers and weapons systems.



Series 801 Plug with Ratchet Mechanism

New Power and Coaxial Layouts

43 contact layouts are now available, including new size #12, #16 and #20HD contact arrangements. Also available with printed circuit board contacts.



Series 801 "9-4" layout with 4 #16 contacts compared to MIL-DTL-38999 "13-4" layout with 4 #16 contacts



Glenair's "21-12" insert arrangement with 12 size 12 power pins for 23 amp current rating.



New "17-7" insert arrangement with 7 size 12 contacts



Size 12 and size 16 PC tails are standard



Pneumatic contacts for Mighty Mouse connectors

Pneumatic Contacts

These stainless steel contacts snap into size 12 contact cavities. Rated at 100 psi, these "gas" contacts are ideal for pitot tube connections in unmanned aerial vehicles.

Dimensions in inches (millimeters) and are subject to change without notice.

© 2010 Glenair, Inc.

CAGE Code 06324

Printed in U.S.A.

GLENAIR, INC. • 1211 AIR WAY • GLENDALE, CA 91201-2497 • 818-247-6000 • FAX 818-500-9912

www.glenair.com

Intro-6

E-Mail: sales@glenair.com

01-JANUARY-2010

Featured Products



Need More Contacts?

Joining the Mighty Mouse lineup is a 130 pin connector. Available in Series 801, 802 and 805, this layout has 130 size #23 contacts in a low-profile, lightweight package.



Heat Shrink Boots

Glenair has selected straight and right angle boots to fit Series 80 connectors. Available in Mil-Spec and low smoke/zero halogen materials, these boots are adhesive lined.



New Rubber Covers

Rubber covers are now available for Series 801 and Series 804 connectors. These fungus-resistant neoprene covers are preferred for man-portable soldier equipment.



Spring-Loaded Protective Covers

Glenair now offers a spring-loaded cover for Series 804 quick-disconnect receptacles. Made of aluminum alloy, the cover has a rubber gasket for a watertight seal when unmated.



Can't Find What You Need in this Catalog?

Get the part you need with no strings attached. Glenair welcomes your custom connector requirements. Our vertically integrated manufacturing guarantees fast delivery with no minimum order quantity.



Optical Fiber Mighty Mouse

Get the best of both worlds: the small size of the Series 80 combined with Mil-Spec optical fiber performance. This 4 channel connector is ideal for 1000BASE-LX. Contact Glenair for more information.

Dimensions in inches (millimeters) and are subject to change without notice.

© 2010 Glenair, Inc.

CAGE Code 06324

Printed in U.S.A.

GLENAIR, INC. • 1211 AIR WAY • GLENDALE, CA 91201-2497 • 818-247-6000 • FAX 818-500-9912

www.glenair.com

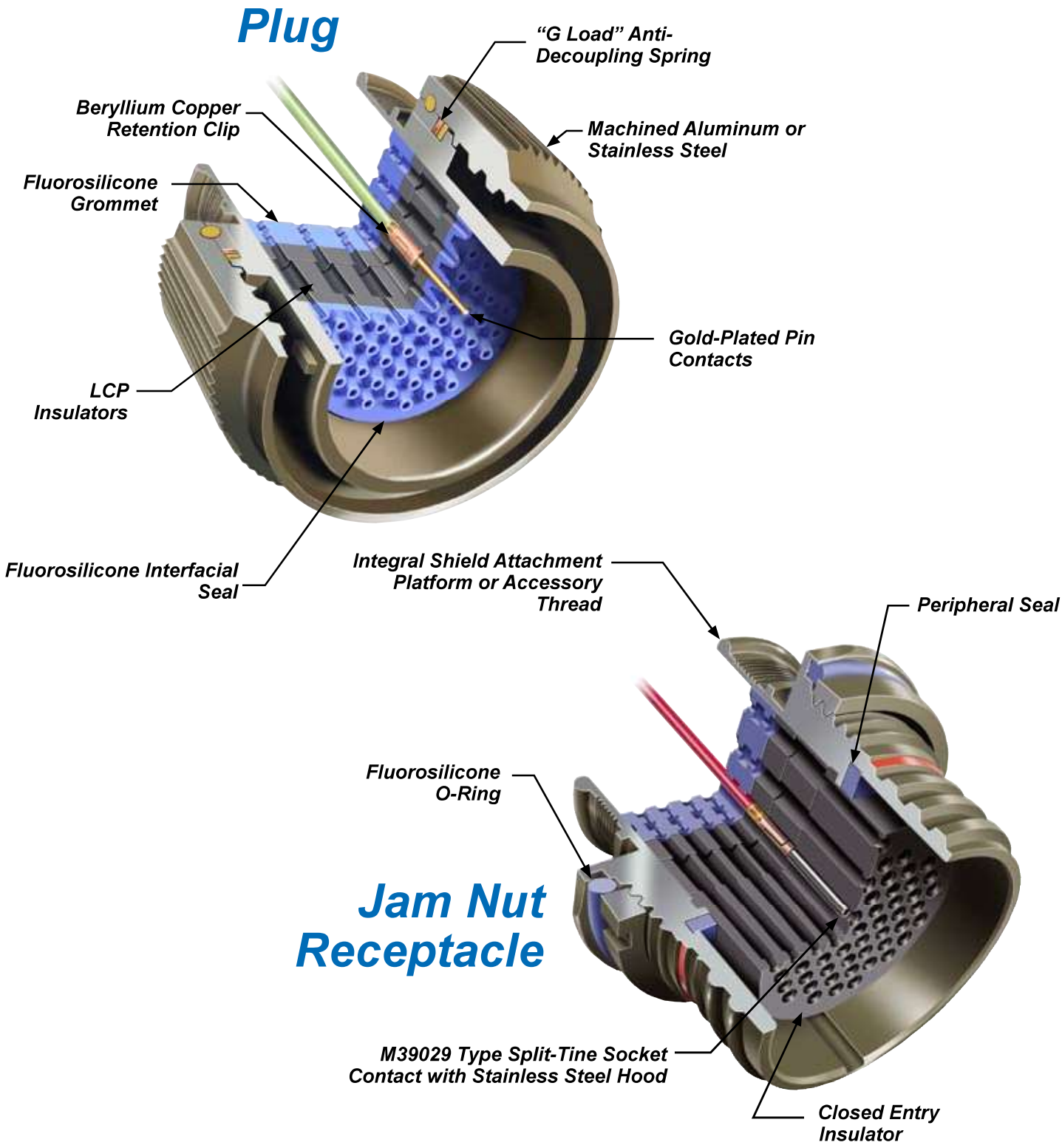
Intro-7

E-Mail: sales@glenair.com

01-JANUARY-2010



Series 80 Mighty Mouse Cutaway View of Series 801



Dimensions in inches (millimeters) and are subject to change without notice.

© 2010 Glenair, Inc.

CAGE Code 06324

Printed in U.S.A.

GLENAIR, INC. • 1211 AIR WAY • GLENDALE, CA 91201-2497 • 818-247-6000 • FAX 818-500-9912

www.glenair.com

Intro-8

E-Mail: sales@glenair.com

01-JANUARY-2010

Series 80 Mighty Mouse Contact Arrangements



SERIES 80 "MIGHTY MOUSE" CONTACT ARRANGEMENTS

Contact Size	Contact Quantity					Contact Arrangement					
	#23	#20	#20HD	#16	#12	Series 800	Series 801	Series 802	Series 803	Series 804	Series 805
Size #23 Contacts 5 Amp Max. Current 500 VAC #22-#28 AWG						5-3	5-3	5-3	5-3	5-3	Not Avail.
						6-4	6-4	6-4	6-4	6-4	8-4
						6-6	6-6	6-6	6-6	6-6	8-6
						6-7	6-7	6-7	6-7	6-7	8-7
						7-10	7-10	7-10	7-10	7-10	9-10
						8-13	8-13	8-13	8-13	8-13	10-13
						9-19	9-19	9-19	9-19	9-19	11-19
						10-26	10-26	10-26	10-26	10-26	12-26
						12-37	13-37	12-37	12-37	12-37	15-37
						Not Avail.	16-55	14-55	14-55	14-55	18-55
						Not Avail.	17-85	15-85	Not Avail.	Not Avail.	19-85
					Not Avail.	21-130	21-130	Not Avail.	Not Avail.	23-130	
Size #20HD Contacts 7.5 Amp Max. Current 750 VAC #20-#24 AWG			3			6-23	6-23	6-23	6-23	6-23	8-23
			5			7-25	7-25	7-25	7-25	7-25	9-25
			8			8-28	8-28	8-28	8-28	8-28	10-28
			10			9-210	9-210	9-210	9-210	9-210	11-210
			20			12-220	13-220	12-220	12-220	12-220	15-220
			35			Not Avail.	16-235	14-235	14-235	14-235	18-235
			41			Not Avail.	17-241	15-241	Not Avail.	Not Avail.	19-241
		69			Not Avail.	21-269	21-269	Not Avail.	Not Avail.	23-269	
Size #16 Contacts 13 Amp Max. Current 1800 VAC #16-#20 AWG				1		6-1	6-1	6-1	6-1	6-1	8-1
				2		8-2	8-2	8-2	8-2	8-2	10-2
				4		9-4	9-4	9-4	9-4	9-4	11-4
				5		10-5	10-5	10-5	10-5	10-5	12-5
				7		12-7	13-7	12-7	12-7	12-7	15-7
				12		Not Avail.	16-12	14-12	14-12	14-12	18-12
				14		Not Avail.	17-14	15-14	Not Avail.	Not Avail.	19-14
				22		Not Avail.	21-22	21-22	Not Avail.	Not Avail.	23-22
Size #12 Contacts 23 Amp Max. Current 1800 VAC #12-#14 AWG					1	7-1	7-1	7-1	7-1	7-1	9-1
					2	10-2	10-2	10-2	10-2	10-2	12-2
					2	12-2	13-2	12-2	12-2	12-2	15-2
					3	12-3	13-3	12-3	12-3	12-3	15-3
					5	Not Avail.	16-5	14-5	14-5	14-5	18-5
					7	Not Avail.	17-7	15-7	Not Avail.	Not Avail.	19-7
					12	Not Avail.	21-12	21-12	Not Avail.	Not Avail.	23-12
Contact Arrangements with Mixed Size (Combo) Layouts	4	2				8-200	8-200	8-200	8-200	8-200	10-200
	8	2				9-201	9-201	9-201	9-201	9-201	11-201
	4			2		9-200	9-200	9-200	9-200	9-200	11-200
	8			2		10-202	10-202	10-202	10-202	10-202	12-202
	4				2	10-201	10-201	10-201	10-201	10-201	12-201
	6				2	12-200	13-200	12-200	12-200	12-200	15-200
	10				2	12-201	13-201	12-201	12-201	12-201	15-201
	12				1	10-200	10-200	10-200	10-200	10-200	12-200

Dimensions in inches (millimeters) and are subject to change without notice.

Series 805 Mighty Mouse Triple-Start Crimp Receptacle Ordering Information

805-003 and 805-004



**Series 805 Triple-Start
Jam Nut Connector**

Three Shell Mounting Options

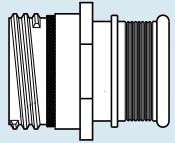
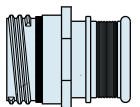
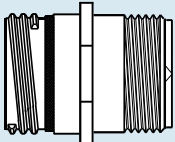
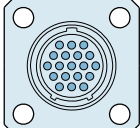
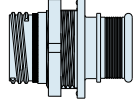
Jam nut with O-ring for rear panel mounting, square flange for front or rear panel mounting, or in-line receptacles for free-hanging cables.

Gold-Plated Crimp Contacts are held in place with beryllium copper retention clips. Contacts are removable.

Two Shell Styles: Choose **integral band platform** for direct attachment of a cable shield. Install a boot, or overmold a boot over the band platform. An **accessory thread** is available for attaching strain reliefs and backshells.

HOW TO ORDER

Sample Part Number

805-004	-02	NF	9-10	P	A
Series	Shell Style	Shell Material / Finish	Shell Size- Insert Arrangement	Contact Type	Shell Key Position
 805-003 Receptacle with Banding Platform	 -01 In-Line	C Aluminum / Black Anodize (Non-Conductive) RoHS Compliant M Aluminum / Electroless Nickel RoHS Compliant MT Aluminum / Nickel-PTFE RoHS Compliant	SEE CONTACT ARRANGEMENTS PAGE H-2	P Pin S Socket	A Position A (Normal) B Position B C Position C D Position D
 805-004 Receptacle with Accessory Thread	 -02 Square Flange Front or Rear Mount -12 Square Flange Rear Mount Non-Locking Clinch Nuts -22 Square Flange Rear Mount Locking Clinch Nuts	NF Aluminum / Cadmium with Olive Drab Chromate ZN Aluminum / Zinc-Nickel with Olive Drab Chromate ZNU Aluminum / Zinc-Nickel with Black Chromate Z1 Stainless Steel / Passivated RoHS Compliant ZB Stainless Steel / Olive Drab Chromate over Cadmium ZC Stainless Steel / Zinc Cobalt Alloy/Black Chromate		A Pin Connector, less contacts B Socket Connector, less contacts Connectors with contacts are supplied with signal and/or power crimp contacts. These contacts are not installed. Coaxial contacts and non-standard signal contacts are ordered separately.	
	 -07 Jam Nut for Rear Panel Mounting				

Dimensions in inches (millimeters) and are subject to change without notice.

© 2010 Glennair, Inc.

CAGE Code 06324

Printed in U.S.A.

GLENNAIR, INC. • 1211 AIR WAY • GLENDALE, CA 91201-2497 • 818-247-6000 • FAX 818-500-9912

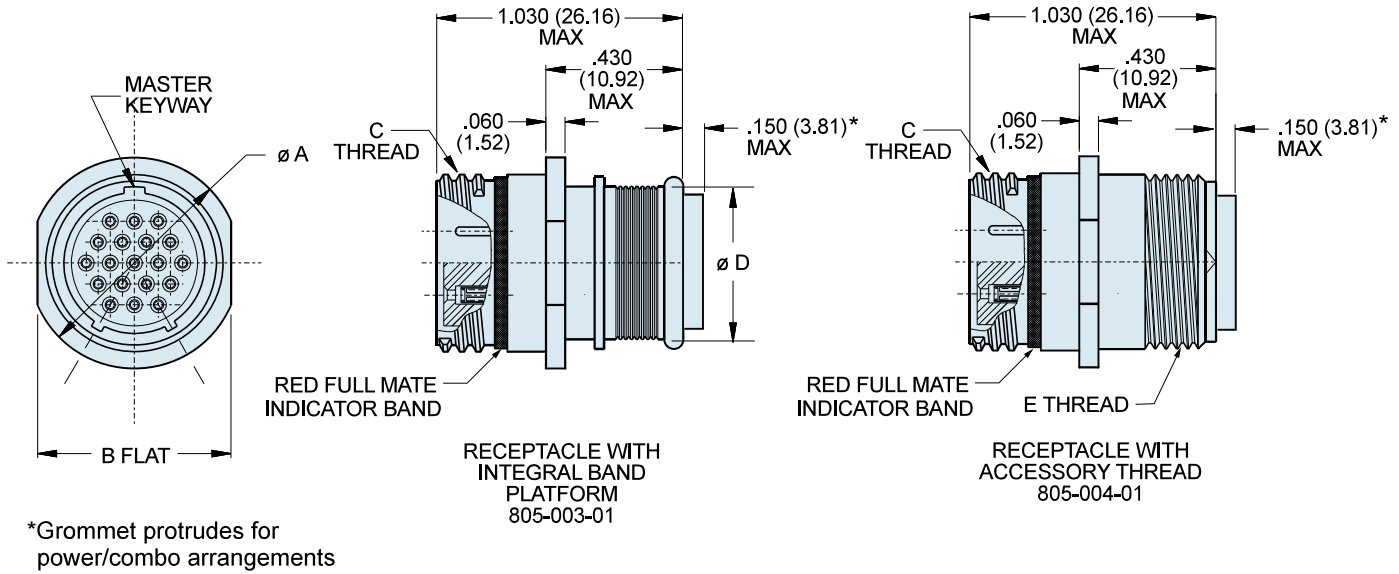
www.glennair.com

H-8

E-Mail: sales@glennair.com

Series 805 Mighty Mouse Triple-Start In-Line Receptacle Dimensions

805-003-01 and 805-004-01



*Grommet protrudes for power/combo arrangements

DIMENSIONS								
Shell Size	Ø A		B		C Threads	Ø D		E Threads Accessory
	In.	mm.	In.	mm.		In.	mm.	
8	.540	13.72	.510	12.95	.5000-.1P-.3L-TS-2A	.316	8.05	.3750-32 UNEF-2A
9	.605	15.37	.575	14.61	.5625-.1P-.3L-TS-2A	.397	10.08	.4375-28 UNEF-2A
10	.668	16.96	.638	16.21	.6250-.1P-.3L-TS-2A	.472	12.01	.5000-28 UNEF-2A
11	.730	18.54	.700	17.78	.6875-.1P-.3L-TS-2A	.519	13.18	.5625-24 UNEF-2A
12	.793	20.14	.763	19.38	.7500-.1P-.3L-TS-2A	.585	14.86	.6250-24 UNEF-2A
15	.980	24.89	.950	24.13	.9375-.1P-.3L-TS-2A	.687	17.45	.7500-20 UNEF-2A
18	1.165	29.59	1.135	28.83	1.1250-.1P-.3L-TS-2A	.884	22.45	.9375-20 UNEF-2A
19	1.235	31.37	1.205	30.61	1.1875-.1P-.3L-TS-2A	.884	22.45	.9375-20 UNEF-2A
23	1.485	37.72	1.455	36.96	1.4375-.1P-.3L-TS-2A	1.134	28.80	1.1875-18 UNEF-2A

PERFORMANCE SPECIFICATIONS	
DWW	#23 500 VAC Sea level, #20HD 750 VAC, #12 AND #16 1800 VAC
Insulation Resistance	5000 Megohms Minimum
Operating Temperature	-55° C. to +150° C.
Immersion, Mated	MIL-STD-810 Method 512. One Meter for One Hour.
EMI	65 dB Minimum from 1 GHz. to 10 GHz.

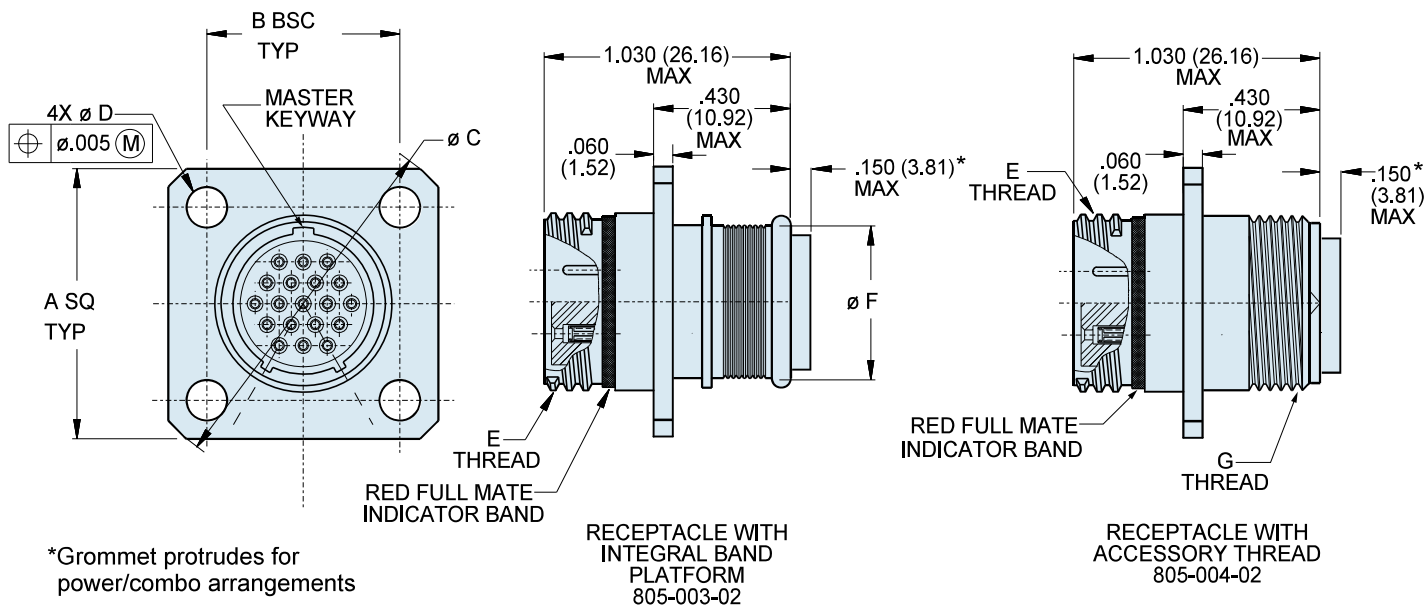
MATERIALS AND FINISHES	
Connector Shell	Aluminum or Stainless Steel
Insulator	Liquid Crystal Polymer (LCP)
Seals	Fluorosilicone Rubber, Blue
Pin Contact	Copper Alloy, Gold over Nickel Plating
Socket Contact	Copper Alloy, Gold over Nickel Plating, with SST Hood
Contact Retainer Clip	Beryllium Copper, Unplated

SERIES 805 KEY POSITIONS		
Key Position	Key Rotation	
	A	B
Normal (A)	150°	210°
B	75°	210°
C	95°	230°
D	140°	275°

Dimensions in inches (millimeters) and are subject to change without notice.

Series 805 Mighty Mouse Triple-Start Square Flange Receptacle Dimensions

805-003-02 and 805-004-02



DIMENSIONS

Shell Size	A		B		ØC		ØD		E Threads	Ø F		G Threads Accessory
	In.	mm.	In.	mm.	In.	mm.	In. ± .003	mm. ± .08		In.	mm.	
8	.850	21.59	.660	16.76	1.150	29.21	.094	2.39	.5000-1P-.3L-TS-2A	.316	8.05	.3750-32 UNEF-2A
9	.913	23.19	.723	18.36	1.230	31.24	.094	2.39	.5625-1P-.3L-TS-2A	.397	10.08	.4375-28 UNEF-2A
10	.975	24.77	.785	19.94	1.330	33.78	.094	2.39	.6250-1P-.3L-TS-2A	.472	12.01	.5000-28 UNEF-2A
11	1.039	26.39	.848	21.54	1.410	35.81	.094	2.39	.6875-1P-.3L-TS-2A	.519	13.18	.5625-24 UNEF-2A
12	1.099	27.91	.909	23.09	1.500	38.10	.094	2.39	.7500-1P-.3L-TS-2A	.585	14.86	.6250-24 UNEF-2A
15	1.288	32.74	1.058	26.87	1.750	44.45	.128	3.25	.9375-1P-.3L-TS-2A	.687	17.45	.7500-20 UNEF-2A
18	1.475	37.47	1.255	31.88	2.000	50.80	.128	3.25	1.1250-1P-.3L-TS-2A	.884	22.45	.9375-20 UNEF-2A
19	1.537	71.06	1.327	33.71	2.094	53.19	.128	3.25	1.1875-1P-.3L-TS-2A	.884	22.45	.9375-20 UNEF-2A
23	1.787	45.39	1.570	39.88	2.440	61.98	.128	3.25	1.4375-1P-.3L-TS-2A	1.134	28.80	1.1875-18 UNEF-2A

PERFORMANCE SPECIFICATIONS

DVV	#23 500 VAC Sea level, #20HD 750 VAC, #12 AND #16 1800 VAC
Insulation Resistance	5000 Megohms Minimum
Operating Temperature	-55° C. to +150° C.
Immersion, Mated	MIL-STD-810 Method 512. One Meter for One Hour.
EMI	65 dB Minimum from 1 GHz. to 10 GHz.

MATERIALS AND FINISHES

Connector Shell	Aluminum or Stainless Steel
Insulator	Liquid Crystal Polymer (LCP)
Seals	Fluorosilicone Rubber, Blue
Contact	Copper Alloy, Gold over Nickel Plating
Contact Retainer Clip	Beryllium Copper, Unplated

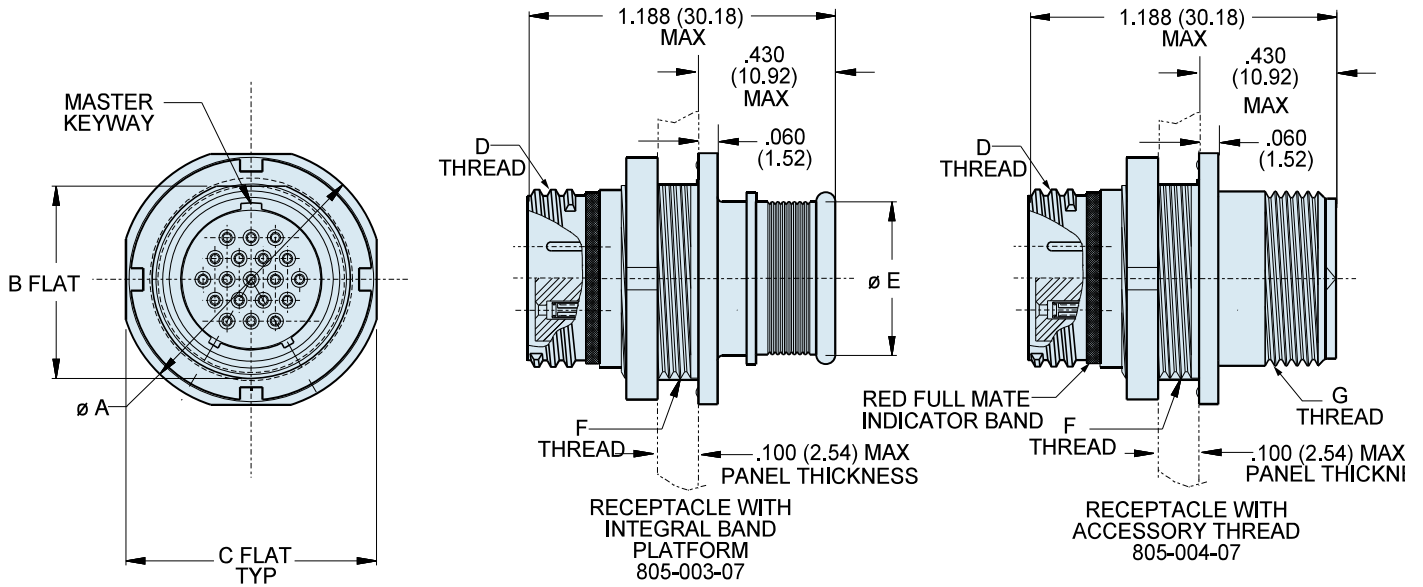
SERIES 805 KEY POSITIONS

Key Position	Key Rotation	
	A	B
Normal (A)	150°	210°
B	75°	210°
C	95°	230°
D	140°	275°

Dimensions in inches (millimeters) and are subject to change without notice.

Series 805 Mighty Mouse Triple-Start Jam Nut Receptacle Dimensions

805-003-07 and 805-004-07



DIMENSIONS

Shell Size	Ø A		B		C		D Threads	Ø E		F Threads	G Threads Accessory
	In.	mm.	In.	mm.	In.	mm.		In.	mm.		
8	.760	19.30	.535	13.59	.730	18.54	.5000-1P-.3L-TS-2A	.317	8.05	.5625-28 UNEF-2A	.3750-32 UNEF-2A
9	.880	22.35	.661	16.79	.850	21.59	.5625-1P-.3L-TS-2A	.397	10.08	.6875-28 UN-2A	.4375-28 UNEF-2A
10	.880	22.35	.661	16.79	.850	21.59	.6250-1P-.3L-TS-2A	.473	12.01	.6875-28 UN-2A	.5000-28 UNEF-2A
11	.955	24.26	.721	18.31	.925	23.50	.6875-1P-.3L-TS-2A	.519	13.18	.7500-28 UN-2A	.5625-24 UNEF-2A
12	1.060	26.92	.784	19.91	1.035	26.29	.7500-1P-.3L-TS-2A	.585	14.86	.8125-28 UN-2A	.6250-24 UNEF-2A
15	1.203	30.56	.970	24.64	1.173	29.79	.9375-1P-.3L-TS-2A	.687	17.45	1.0000-28 UN-2A	.7500-20 UNEF-2A
18	1.389	35.28	1.147	29.13	1.359	34.52	1.1250-1P-.3L-TS-2A	.884	22.45	1.1875-28 UN-2A	.9375-20 UNEF-2A
19	1.450	36.83	1.221	31.01	1.420	36.07	1.1875-1P-.3L-TS-2A	.884	22.45	1.2500-28 UN-2A	.9375-20 UNEF-2A
23	1.705	43.31	1.470	37.34	1.675	42.55	1.4375-1P-.3L-TS-2A	1.134	28.80	1.500-25 UN-2A	1.1875-18 UNEF-2A

PANEL CUTOUT FOR JAM NUT RECEPTACLE

Shell Size	A Flat		Ø B	
	In. ± .002	mm. ± 0.05	In. ± .005	mm. ± 0.13
8	.543	13.79	.572	14.53
9	.669	16.99	.698	17.73
10	.669	16.99	.698	17.73
11	.729	18.51	.760	19.30
12	.792	20.17	.822	20.88
15	.978	24.84	1.010	25.65
18	1.155	29.34	1.198	30.43
19	1.231	31.27	1.260	32.00
23	1.480	37.59	1.510	38.35

SERIES 805 KEY POSITIONS

Key Position	Key Rotation	
	A	B
Normal (A)	150°	210°
B	75°	210°
C	95°	230°
D	140°	275°

Dimensions in inches (millimeters) and are subject to change without notice.

Looking for pricing, stock, or lifecycle information?

Click below to explore more details on WIN SOURCE:

 [View 805-004-07NF23-130BA on WIN SOURCE](#)

 [Glenair, Inc. Information](#)

Optimize Your Supply Chain with WIN SOURCE Solutions

-  Global Sourcing Solution
-  Obsolete Management
-  Cost Control Management
-  Shortage Management
-  Alternative Solution
-  Excess Inventory Management