

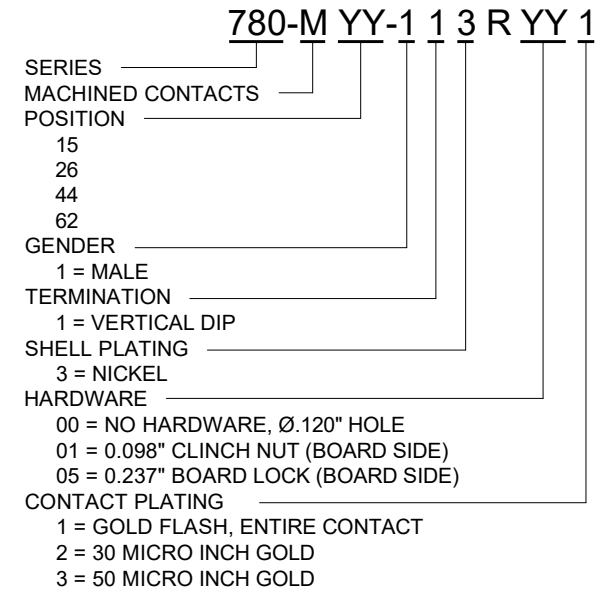
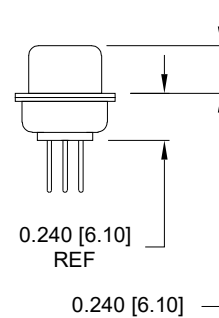
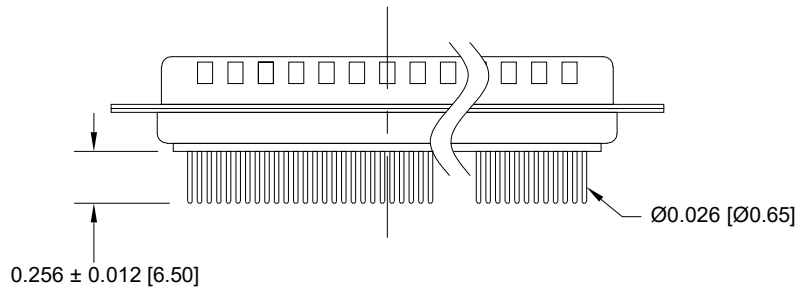
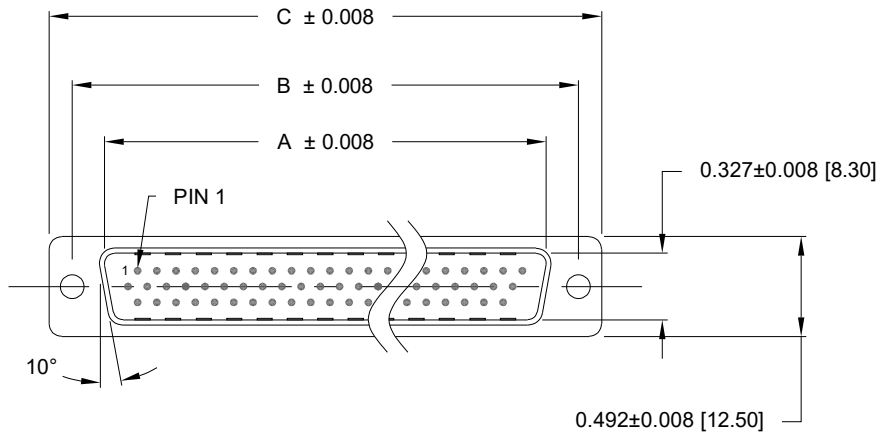
SPECIFICATIONS:

ELECTRICAL:

INSULATION RESISTANCE:	5 GΩ MIN.
DIELECTRIC WITHSTANDING VOLTAGE:	1000 VAC MIN.
OPERATING TEMPERATURE:	-55°C TO +125°C
CONTACT RESISTANCE:	10 mΩ MAX.
CONTACT AMPERAGE:	3 AMPS

MATERIALS:

CONTACT MATERIAL:	BRASS
CONTACT FINISH:	SEE P/N KEY
INSULATOR:	SEE DIM TABLE, UL94 V-0 RATED
PROCESS TEMP	260°C
SHELL:	NICKEL PLATED STEEL
SEAL MATERIAL:	F08 FLEXIBLE ADHESIVE



DIMENSIONS (in.)				
No. OF PINS	A	B	C	Insulator Material
15	0.665	0.984	1.213	PA9T
26	0.994	1.311	1.543	PA9T
44	1.533	1.852	2.089	PA9T
62	2.181	2.500	2.732	PA6T

DIMENSIONS (mm)				
No. OF PINS	A	B	C	Insulator Material
15	16.90	25.00	30.80	PA9T
26	25.25	33.30	39.20	PA9T
44	38.95	47.05	53.05	PA9T
62	55.40	63.50	69.40	PA6T

MEETS IP67 STANDARDS
(SEE PAGE 3 FOR SEALING DETAILS)

RoHS COMPLIANT

UNITS = INCHES [MM] DO NOT SCALE FROM DRAWING



THESE DRAWINGS AND SPECIFICATIONS ARE THE PROPERTY OF NorComp AND SHALL NOT BE REPRODUCED, COPIED OR USED AS THE BASIS FOR THE MANUFACTURE OR SALE OF APPARATUS WITHOUT WRITTEN PERMISSION.

DRAWN:

J. KADEL

DATE:

08/03/2018

NorComp

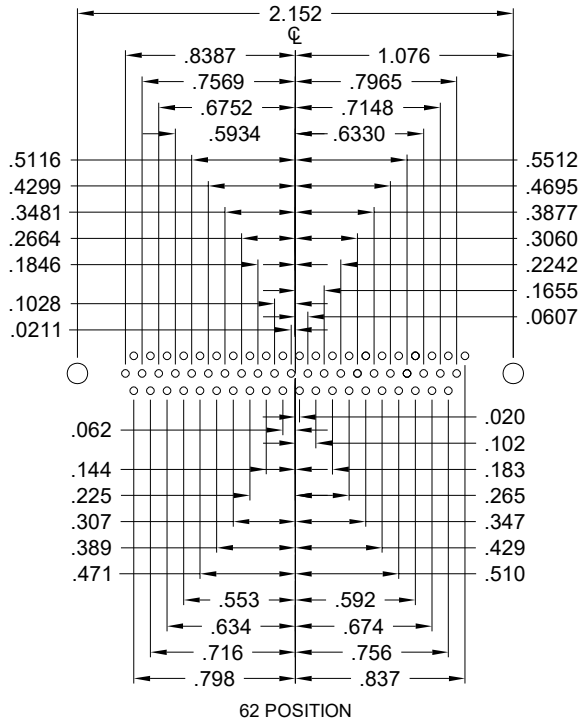
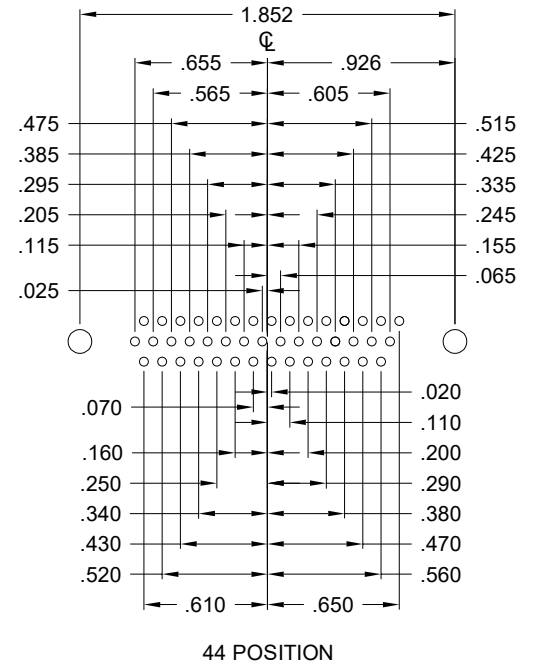
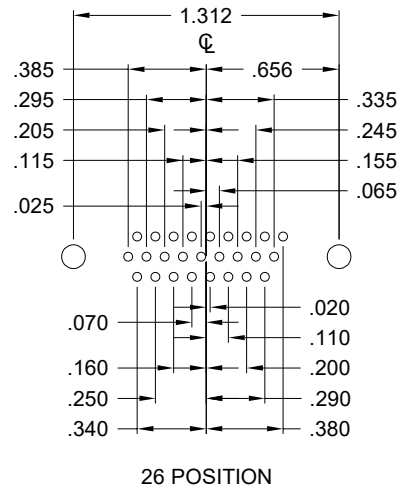
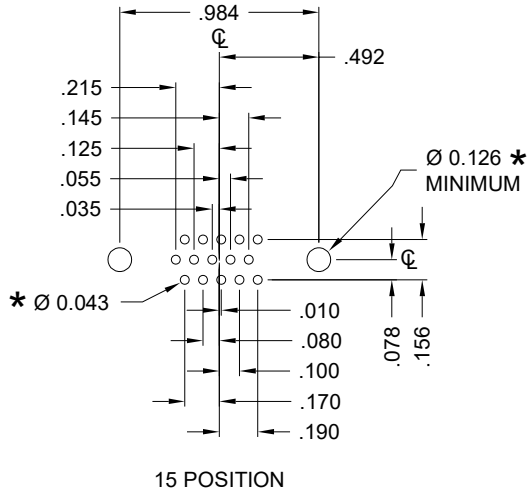
SCALE:
NTS

SHEET 1 OF 4

REV 20

DWG NO.

780-MYY-113RYY1



HOLE PATTERN SHOWN
ARE FOR MALE

* TYP.
SUGGESTED SIZE
MAY NOT BE SUITABLE FOR ALL APPLICATIONS

UNITS = inches

DO NOT SCALE FROM DRAWING



THESE DRAWINGS AND SPECIFICATIONS ARE THE PROPERTY OF NorComp AND SHALL NOT BE REPRODUCED, COPIED OR USED AS THE BASIS FOR THE MANUFACTURE OR SALE OF APPARATUS WITHOUT WRITTEN PERMISSION.

DRAWN:

J. KADEL

DATE:

08/03/2018

NorComp

SCALE:
NTS

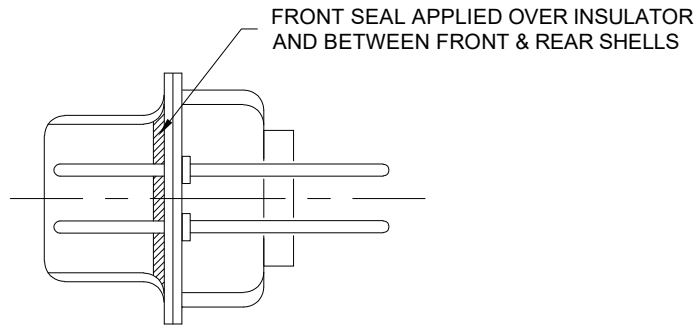
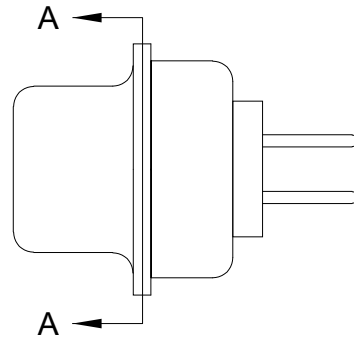
SHEET 2 OF 4

REV 20

DWG NO.

780-MYY-113RYY1

RoHS COMPLIANT



DETAIL A-A

RoHS COMPLIANT

DO NOT SCALE FROM DRAWING



THESE DRAWINGS AND SPECIFICATIONS ARE THE PROPERTY OF NorComp AND SHALL NOT BE REPRODUCED, COPIED OR USED AS THE BASIS FOR THE MANUFACTURE OR SALE OF APPARATUS WITHOUT WRITTEN PERMISSION.

DRAWN:

J. KADEL

DATE:

08/03/2018

NorComp

SCALE:

NTS

SHEET

OF

3

4

REV

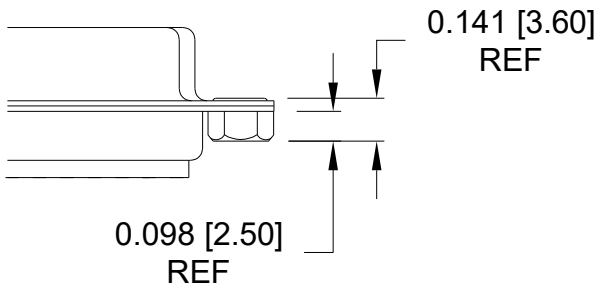
20

DWG NO.

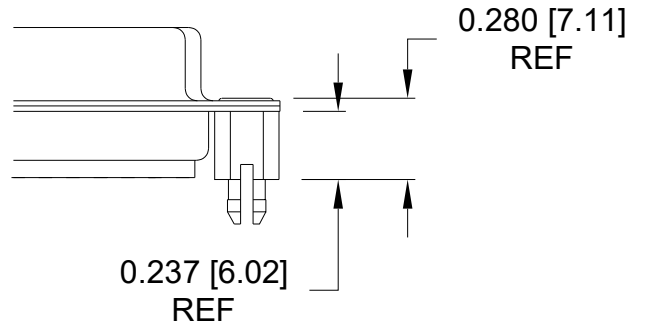
780-MYY-113RYY1

ALL CLINCH-NUTS ARE 4-40 INTERNAL THREADS

01X 0.098" (BOARD SIDE)



05X 0.237" (BOARD SIDE)



RoHS COMPLIANT

UNITS = INCHES [MM] DO NOT SCALE FROM DRAWING



THESE DRAWINGS AND SPECIFICATIONS ARE THE PROPERTY OF NorComp AND SHALL NOT BE REPRODUCED, COPIED OR USED AS THE BASIS FOR THE MANUFACTURE OR SALE OF APPARATUS WITHOUT WRITTEN PERMISSION.

DRAWN:
J. KADEL
DATE:
08/03/2018

NorComp

SCALE: NTS	SHEET 4 OF 4	REV 20
DWG NO. 780-MYY-113RYY1		

Looking for pricing, stock, or lifecycle information?

Click below to explore more details on WIN SOURCE:

 [View 780-M44-113R001 on WIN SOURCE](#)

 [NorComp Inc. Information](#)

Optimize Your Supply Chain with WIN SOURCE Solutions

-  Global Sourcing Solution
-  Obsolete Management
-  Cost Control Management
-  Shortage Management
-  Alternative Solution
-  Excess Inventory Management