



**THE DATASHEET OF
805-001-16NF15-201PA**



Featured Products

Filtered Mighty Mouse

Glenair's filtered Mighty Mouse connectors provide significant size and weight savings compared to larger mil-spec connectors. Designed to meet stringent aerospace performance requirements, Mighty Mouse filtered connectors are offered with standard filter arrays or with customized filters to meet your specific needs.



Right Angle Board Mount Connectors

Now available with 3, 4, 7, 10, 13 and 19 contacts, these connectors offer military grade performance in a small, economical package. These connectors are rated for MIL-STD-810 Method 512 immersion. Available in Series 800 and Series 801.

Meet the "Clicker"

Series 801 plugs are now available with a ratcheting mechanism. The ratcheting coupling nut prevents unintended demating when subjected to high levels of shock and vibration. The coupling nut is .100" larger than the standard self-locking nut. The Series 801 double-start Mighty Mouse connector is widely used on battlefield computers and weapons systems.



Series 801 Plug with Ratchet Mechanism

New Power and Coaxial Layouts

43 contact layouts are now available, including new size #12, #16 and #20HD contact arrangements. Also available with printed circuit board contacts.



Series 801 "9-4" layout with 4 #16 contacts compared to MIL-DTL-38999 "13-4" layout with 4 #16 contacts



Glenair's "21-12" insert arrangement with 12 size 12 power pins for 23 amp current rating.



New "17-7" insert arrangement with 7 size 12 contacts



Size 12 and size 16 PC tails are standard



Pneumatic contacts for Mighty Mouse connectors

Pneumatic Contacts

These stainless steel contacts snap into size 12 contact cavities. Rated at 100 psi, these "gas" contacts are ideal for pitot tube connections in unmanned aerial vehicles.

Dimensions in inches (millimeters) and are subject to change without notice.

© 2010 Glenair, Inc.

CAGE Code 06324

Printed in U.S.A.

GLENAIR, INC. • 1211 AIR WAY • GLENDALE, CA 91201-2497 • 818-247-6000 • FAX 818-500-9912

www.glenair.com

Intro-6

E-Mail: sales@glenair.com

01-JANUARY-2010

Featured Products



Need More Contacts?

Joining the Mighty Mouse lineup is a 130 pin connector. Available in Series 801, 802 and 805, this layout has 130 size #23 contacts in a low-profile, lightweight package.



Heat Shrink Boots

Glenair has selected straight and right angle boots to fit Series 80 connectors. Available in Mil-Spec and low smoke/zero halogen materials, these boots are adhesive lined.



New Rubber Covers

Rubber covers are now available for Series 801 and Series 804 connectors. These fungus-resistant neoprene covers are preferred for man-portable soldier equipment.



Spring-Loaded Protective Covers

Glenair now offers a spring-loaded cover for Series 804 quick-disconnect receptacles. Made of aluminum alloy, the cover has a rubber gasket for a watertight seal when unmated.



Can't Find What You Need in this Catalog?

Get the part you need with no strings attached. Glenair welcomes your custom connector requirements. Our vertically integrated manufacturing guarantees fast delivery with no minimum order quantity.



Optical Fiber Mighty Mouse

Get the best of both worlds: the small size of the Series 80 combined with Mil-Spec optical fiber performance. This 4 channel connector is ideal for 1000BASE-LX. Contact Glenair for more information.

Dimensions in inches (millimeters) and are subject to change without notice.

© 2010 Glenair, Inc.

CAGE Code 06324

Printed in U.S.A.

GLENAIR, INC. • 1211 AIR WAY • GLENDALE, CA 91201-2497 • 818-247-6000 • FAX 818-500-9912

www.glenair.com

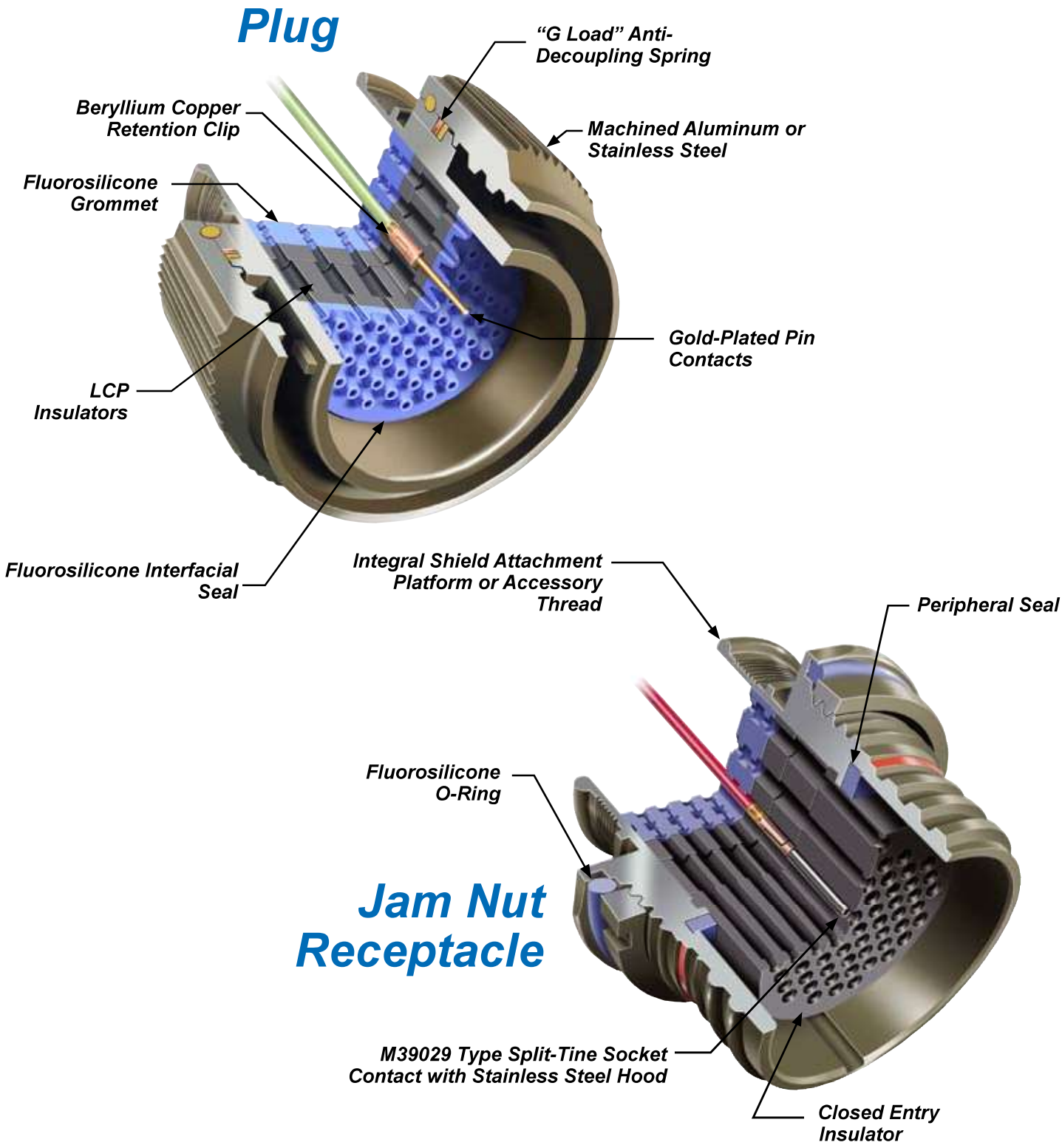
Intro-7

E-Mail: sales@glenair.com

01-JANUARY-2010



Series 80 Mighty Mouse Cutaway View of Series 801



Dimensions in inches (millimeters) and are subject to change without notice.

© 2010 Glenair, Inc.

CAGE Code 06324

Printed in U.S.A.

GLENAIR, INC. • 1211 AIR WAY • GLENDALE, CA 91201-2497 • 818-247-6000 • FAX 818-500-9912

www.glenair.com

Intro-8

E-Mail: sales@glenair.com

01-JANUARY-2010

Series 80 Mighty Mouse Contact Arrangements



SERIES 80 "MIGHTY MOUSE" CONTACT ARRANGEMENTS

Contact Size	Contact Quantity					Contact Arrangement					
	#23	#20	#20HD	#16	#12	Series 800	Series 801	Series 802	Series 803	Series 804	Series 805
Size #23 Contacts 5 Amp Max. Current 500 VAC #22-#28 AWG						5-3	5-3	5-3	5-3	5-3	Not Avail.
						6-4	6-4	6-4	6-4	6-4	8-4
						6-6	6-6	6-6	6-6	6-6	8-6
						6-7	6-7	6-7	6-7	6-7	8-7
						7-10	7-10	7-10	7-10	7-10	9-10
						8-13	8-13	8-13	8-13	8-13	10-13
						9-19	9-19	9-19	9-19	9-19	11-19
						10-26	10-26	10-26	10-26	10-26	12-26
						12-37	13-37	12-37	12-37	12-37	15-37
						Not Avail.	16-55	14-55	14-55	14-55	18-55
						Not Avail.	17-85	15-85	Not Avail.	Not Avail.	19-85
					Not Avail.	21-130	21-130	Not Avail.	Not Avail.	23-130	
Size #20HD Contacts 7.5 Amp Max. Current 750 VAC #20-#24 AWG			3			6-23	6-23	6-23	6-23	6-23	8-23
			5			7-25	7-25	7-25	7-25	7-25	9-25
			8			8-28	8-28	8-28	8-28	8-28	10-28
			10			9-210	9-210	9-210	9-210	9-210	11-210
			20			12-220	13-220	12-220	12-220	12-220	15-220
			35			Not Avail.	16-235	14-235	14-235	14-235	18-235
			41			Not Avail.	17-241	15-241	Not Avail.	Not Avail.	19-241
		69			Not Avail.	21-269	21-269	Not Avail.	Not Avail.	23-269	
Size #16 Contacts 13 Amp Max. Current 1800 VAC #16-#20 AWG				1		6-1	6-1	6-1	6-1	6-1	8-1
				2		8-2	8-2	8-2	8-2	8-2	10-2
				4		9-4	9-4	9-4	9-4	9-4	11-4
				5		10-5	10-5	10-5	10-5	10-5	12-5
				7		12-7	13-7	12-7	12-7	12-7	15-7
				12		Not Avail.	16-12	14-12	14-12	14-12	18-12
				14		Not Avail.	17-14	15-14	Not Avail.	Not Avail.	19-14
				22		Not Avail.	21-22	21-22	Not Avail.	Not Avail.	23-22
Size #12 Contacts 23 Amp Max. Current 1800 VAC #12-#14 AWG					1	7-1	7-1	7-1	7-1	7-1	9-1
					2	10-2	10-2	10-2	10-2	10-2	12-2
					2	12-2	13-2	12-2	12-2	12-2	15-2
					3	12-3	13-3	12-3	12-3	12-3	15-3
					5	Not Avail.	16-5	14-5	14-5	14-5	18-5
					7	Not Avail.	17-7	15-7	Not Avail.	Not Avail.	19-7
					12	Not Avail.	21-12	21-12	Not Avail.	Not Avail.	23-12
Contact Arrangements with Mixed Size (Combo) Layouts	4	2				8-200	8-200	8-200	8-200	8-200	10-200
	8	2				9-201	9-201	9-201	9-201	9-201	11-201
	4			2		9-200	9-200	9-200	9-200	9-200	11-200
	8			2		10-202	10-202	10-202	10-202	10-202	12-202
	4				2	10-201	10-201	10-201	10-201	10-201	12-201
	6				2	12-200	13-200	12-200	12-200	12-200	15-200
	10				2	12-201	13-201	12-201	12-201	12-201	15-201
	12				1	10-200	10-200	10-200	10-200	10-200	12-200

Dimensions in inches (millimeters) and are subject to change without notice.

Series 805 Mighty Mouse Triple-Start Plug Connector Ordering Information

805-001 and 805-002



Two Shell Styles: Integral platform for direct shield attachment using BAND-IT® termination system, or accessory thread for attaching a strain relief.

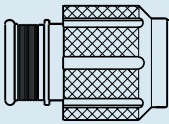
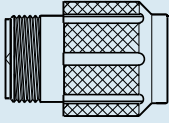
EMI Ground Spring provides low shell-to-shell resistance. This nickel-plated beryllium copper spring enables the Series 805 to meet greater than 60 dB shielding effectiveness from 100 MHz to 15 GHz.

Ratchet Mechanism for Secure Coupling:

Series 805 connectors feature a spring mechanism in the coupling nut that locks into radial teeth on the plug barrel. This feature allows the Series 805 to stay mated even when under high vibration, without the need for safety wire or torque tools.

HOW TO ORDER

Sample Part Number

805-002	-16	M	8-4	P	A
Series	Shell Style	Shell Material / Finish	Shell Size- Insert Arrangement	Contact Type	Shell Key Position
 <p>805-001 Plug with Banding Platform</p>  <p>805-002 Plug with Accessory Thread</p>	<p>-16 Plug Connector with Ratcheting Anti-Decoupling Mechanism</p>	<p>C Aluminum / Black Anodize (Non-Conductive) RoHS Compliant</p> <p>M Aluminum / Electroless Nickel RoHS Compliant</p> <p>NF Aluminum / Cadmium with Olive Drab Chromate</p> <p>ZN Aluminum / Zinc-Nickel with Olive Drab Chromate</p> <p>ZNU Aluminum / Zinc-Nickel with Black Chromate</p> <p>MT Aluminum / Nickel-PTFE RoHS Compliant</p> <p>Z1 Stainless Steel / Passivated RoHS Compliant</p>	<p>SEE CONTACT ARRANGEMENTS PAGE H-2</p>	<p>Connector supplied with contacts</p> <p>P Pin</p> <p>S Socket</p> <p>Connector supplied without contacts</p> <p>A Pin Connector, less contacts</p> <p>B Socket Connector, less contacts</p> <p>Connectors with contacts are supplied with signal and/or power crimp contacts. These contacts are not installed.</p> <p>Coaxial contacts and non-standard signal contacts are ordered separately.</p>	<p>A Position A (Normal)</p> <p>B Position B</p> <p>C Position C</p> <p>D Position D</p>

Dimensions in inches (millimeters) and are subject to change without notice.

© 2010 Glenair, Inc.

CAGE Code 06324

Printed in U.S.A.

GLENAIR, INC. • 1211 AIR WAY • GLENDALE, CA 91201-2497 • 818-247-6000 • FAX 818-500-9912

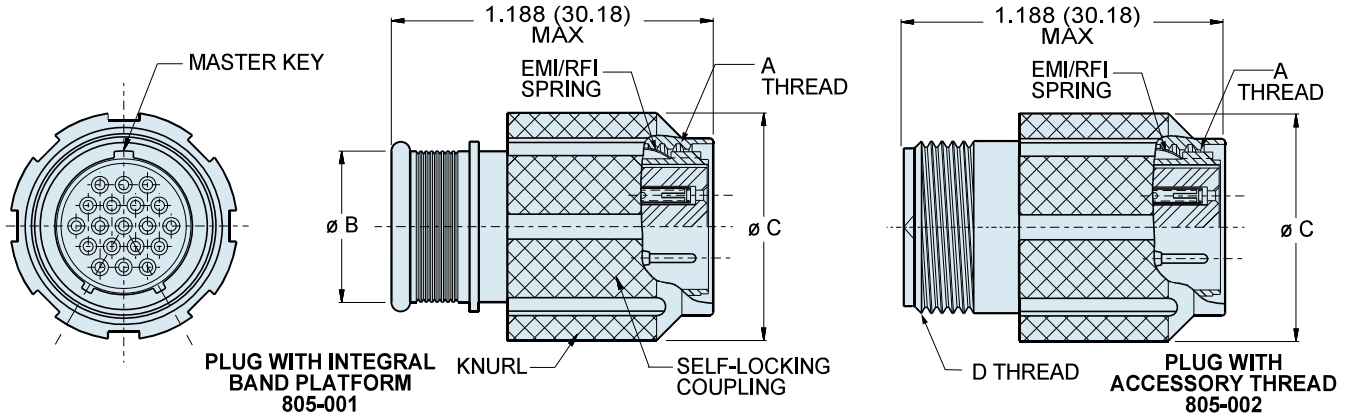
www.glenair.com

H-6

E-Mail: sales@glenair.com

Series 805 Mighty Mouse Triple-Start Plug Connector Dimensions

805-001-16 and 805-002-16



DIMENSIONS

Shell Size	A Threads	Ø B		Ø C		D Threads Accessory
		In.	mm.	In.	mm.	
8	.5000-.1P-.3L-TS-2B	.317	8.05	.691	17.55	.3750-32 UNEF-2A
9	.5625-.1P-.3L-TS-2B	.397	10.08	.787	19.99	.4375-28 UNEF-2A
10	.6250-.1P-.3L-TS-2B	.473	12.01	.826	20.98	.5000-28 UNEF-2A
11	.6875-.1P-.3L-TS-2B	.519	13.18	.916	23.27	.5625-24 UNEF-2A
12	.7500-.1P-.3L-TS-2B	.585	14.86	.982	24.94	.6250-24 UNEF-2A
15	.9375-.1P-.3L-TS-2B	.687	17.45	1.097	27.86	.7500-20 UNEF-2A
18	1.1250-.1P-.3L-TS-2B	.884	22.45	1.290	32.77	.9375-20 UNEF-2A
19	1.1875-.1P-.3L-TS-2B	.884	22.45	1.310	33.27	.9375-20 UNEF-2A
23	1.4375-.1P-.3L-TS-2B	1.135	28.83	1.562	39.67	1.1875-18 UNEF-2A

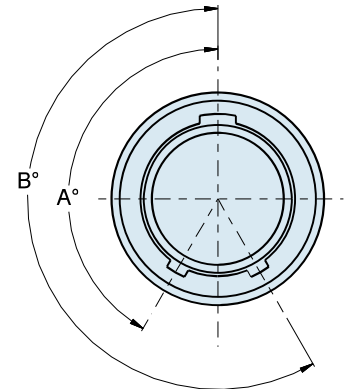
PERFORMANCE SPECIFICATIONS

DWW	#23 500 VAC Sea level, #20HD 750 VAC, #12 AND #16 1800 VAC
Insulation Resistance	5000 Megohms Minimum
Operating Temperature	-55° C. to +150° C.
Immersion, Mated	MIL-STD-810 Method 512. One Meter for One Hour.
EMI	65 dB Minimum from 1 GHz. to 10 GHz.

MATERIALS AND FINISHES

Connector Shell	Aluminum or Stainless Steel
Insulator	Liquid Crystal Polymer (LCP)
Seals	Fluorosilicone Rubber, Blue
Pin Contact	Copper Alloy, Gold over Nickel Plating
Socket Contact	Copper Alloy, Gold over Nickel Plating, with SST Hood
Contact Retainer Clip	Beryllium Copper, Unplated

SERIES 805 KEY POSITIONS



Key Position	Key Rotation	
	A	B
Normal (A)	150°	210°
B	75°	210°
C	95°	230°
D	140°	275°

Dimensions in inches (millimeters) and are subject to change without notice.

Looking for pricing, stock, or lifecycle information?

Click below to explore more details on WIN SOURCE:

 [View 805-001-16NF15-201PA on WIN SOURCE](#)

 [Glenair, Inc. Information](#)

Optimize Your Supply Chain with WIN SOURCE Solutions

-  Global Sourcing Solution
-  Obsolete Management
-  Cost Control Management
-  Shortage Management
-  Alternative Solution
-  Excess Inventory Management