



THE DATASHEET OF
255.0899.4001



Insulating Nuts for CF8 Fuse



Specifications

Material: Thermoplastic, Duroplastic
Packaging unit: Pos.1 = 250 pieces
 Pos.2 + 3 = 100 pieces

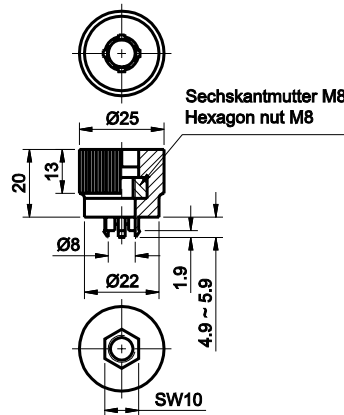
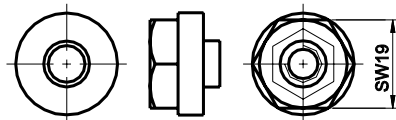
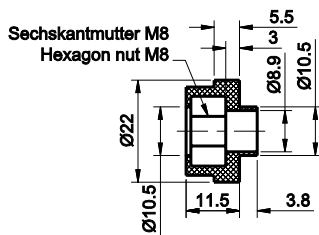
Series Serien	Pack Size
255.0808.xxx1	250
255.0899.xxx1	100

Fuse Holders
High Current

Insulating nuts for CF8 Fuse links.

Isoliermuttern für CF8-Sicherungen.

Dimensions in mm / Maße in mm



Part Number Artikel-Nr.	Description Beschreibung	Contact Temperature Kontakttemperatur
255.0808.0001	Insulating nut (Duroplastic)	max. 300 A (23°C+/-5°C)
255.0899.4001	Insulating nut with locking hook 4.9mm (Thermoplastic) (Red)	max. 150 A (23°C+/-5°C)
255.0899.5001	Insulating nut with locking hook 5.9mm (Thermoplastic) (Black)	max. 150 A (23°C+/-5°C)

Corresponding fuse links see Section "Bolt-down Fuses." If the ring terminal makes contact with the terminal fuse stud, the fuse is bypassed and is not protecting the circuit.

Looking for pricing, stock, or lifecycle information?

Click below to explore more details on WIN SOURCE:

 [View 255.0899.4001 on WIN SOURCE](#)

 [Littelfuse Inc. Information](#)

Optimize Your Supply Chain with WIN SOURCE Solutions

-  Global Sourcing Solution
-  Obsolete Management
-  Cost Control Management
-  Shortage Management
-  Alternative Solution
-  Excess Inventory Management