



**THE DATASHEET OF
MP0045/3D0NN000**



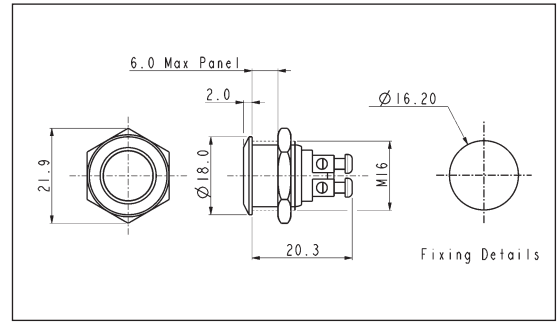
Stainless Steel - Momentary

FLUSH PROFILE



MP0042/1

- 18mm bezel diameter
- 16mm panel hole
- S.P. Push to make
- Polished finish
- 2A, 48V d.c.

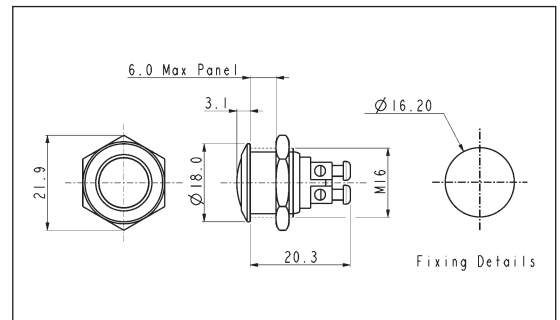


DOMED PROFILE

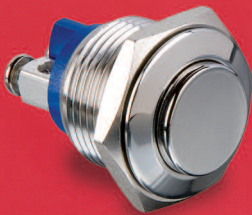


MP0042/2

- 18mm bezel diameter
- 16mm panel hole
- S.P. Push to make
- Polished finish
- 2A, 48V d.c.

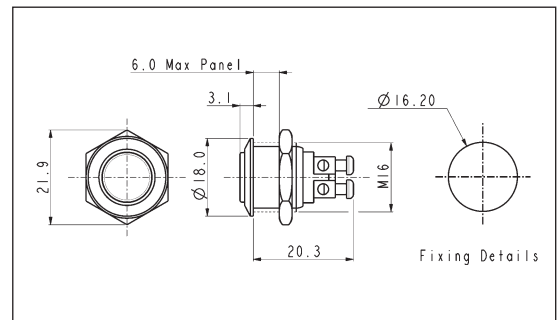


PROMINENT BUTTON



MP0042/3

- 18mm bezel diameter
- 16mm panel hole
- S.P. Push to make
- Polished finish
- 2A, 48V d.c.



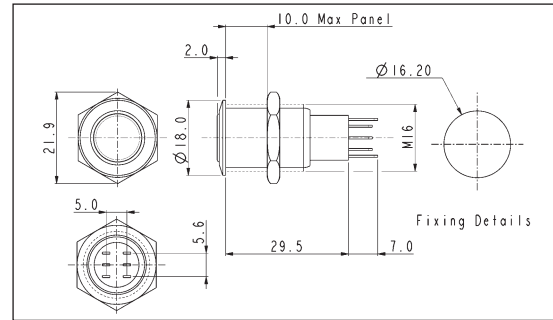
| Specification | MP0042/1 | MP0042/2 | MP0042/3 |
|-------------------------|-------------------------------------|-------------------------------------|-------------------------------------|
| Terminations: | Screw Terminals | Screw Terminals | Screw Terminals |
| Switching: | S.P. Push to Make | S.P. Push to Make | S.P. Push to Make |
| Max. Rating: | 2A, 48V d.c. | 2A, 48V d.c. | 2A, 48V d.c. |
| Contact Resistance: | 50mΩ at 1A, 2V | 50mΩ at 1A, 12V | 50mΩ at 1A, 12V |
| Insulation Resistance: | >10 ³ MΩ @ 500V d.c. | >10 ³ MΩ @ 500V d.c. | >10 ³ MΩ @ 500V d.c. |
| Dielectric Strength: | >2.0kV a.c. | >2.0kV a.c. | >2.0kV a.c. |
| Operating Temp. Range: | -20°C to +55°C | -20°C to +55°C | -20°C to +55°C |
| Operations | | | |
| Mechanical: | 1,000,000 (min) | 1,000,000 (min) | 1,000,000 (min) |
| Electrical: | 100,000 (min) | 100,000 (min) | 100,000 (min) |
| Rear Nut Fixing Torque: | 12Nm | 12Nm | 12Nm |
| Materials | | | |
| Mouldings: | Nylon | Nylon | Nylon |
| Tags/Terminations: | Brass, Silver Plated | Brass, Silver Plated | Brass, Silver Plated |
| Switch Body & Button: | Stainless Steel (Polished) | Stainless Steel (Polished) | Stainless Steel (Polished) |
| Contacts: | Silver | Silver | Silver |
| Variants: | Gold Plated Brass version available | Gold Plated Brass version available | Gold Plated Brass version available |
| RoHS | Compliant | Compliant | Compliant |

Stainless Steel - Momentary

LOW PROFILE



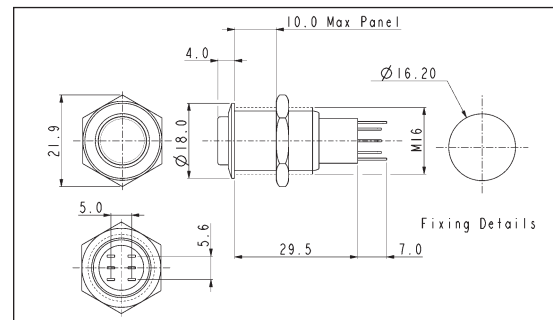
- 18mm bezel diameter
- 16mm fixing hole diameter
- D.P.C.O
- 3A, 250V



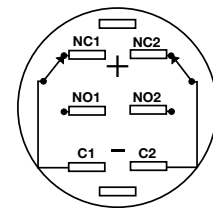
PROMINENT BUTTON



- 18mm bezel diameter
- 16mm fixing hole diameter
- D.P.C.O
- 3A, 250V



Contact Layout



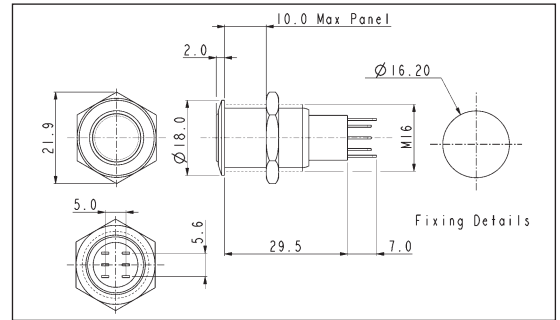
| Specification | MP0045/1D0NN000 | MP0045/3D0NN000 |
|-------------------------|--|--|
| Terminations: | Solder tags | Solder Tags |
| Switching: | D.P.C.O Momentary Action | D.P.C.O Momentary Action |
| Max. Rating: | 3A, 250V | 3A, 250V |
| Contact Resistance: | 50mΩ max. @ 1A, 2V | 50mΩ max. @ 1A, 2V |
| Insulation Resistance: | > 10 ³ MΩ @ 500V d.c. | > 10 ³ MΩ @ 500V d.c. |
| Dielectric Strength: | > 2.0kV a.c. | > 2.0kV a.c. |
| Operating Temp. Range: | -20°C to +55°C | -20°C to +55°C |
| Operations | | |
| Mechanical: | 200,000 (min) | 200,000 (min) |
| Electrical: | 30,000 (min) | 30,000 (min) |
| Rear Nut Fixing Torque: | 12Nm max. | 12Nm max. |
| Materials | | |
| Mouldings: | Nylon | Nylon |
| Tags/Terminations: | Brass, Silver Plated | Brass, Silver Plated |
| Switch Body & Button: | Stainless Steel | Stainless Steel |
| Contacts: | Silver | Silver |
| Variants: | Nickel Plated Brass version available details on request | Nickel Plated Brass version available details on request |
| RoHS | Compliant | Compliant |

Stainless Steel - Latching

LOW PROFILE



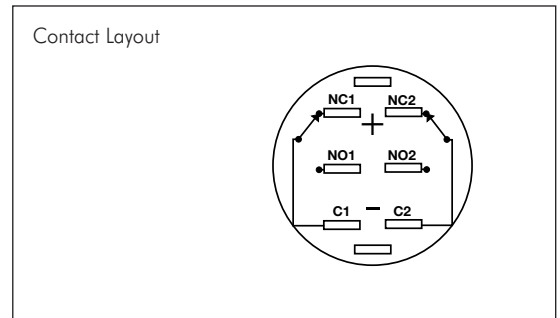
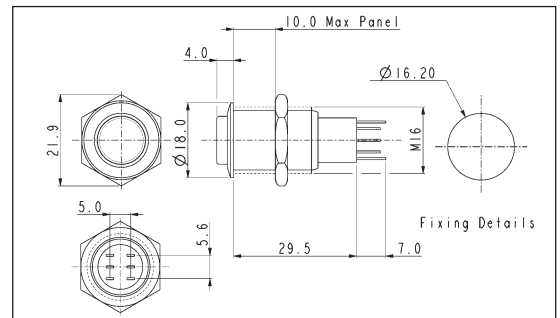
- 18mm bezel diameter
- 16mm fixing hole diameter
- D.P.C.O.
- 3A, 250V a.c.



PROMINENT BUTTON



- 18mm bezel diameter
- 16mm fixing hole diameter
- D.P.C.O.
- 3A, 250V a.c.



| Specification | MP0045/1E0NN000 | MP0045/3E0NN000 |
|-------------------------|--|--|
| Terminations: | Solder Tags | Solder Tags |
| Switching: | D.P.C.O. - Latching Action | D.P.C.O. - Latching Action |
| Max. Rating: | 3A, 250V | 3A, 250V |
| Contact Resistance: | 50mΩ max. @ 1A, 2V | 50mΩ max. @ 1A, 2V |
| Insulation Resistance: | >10 ³ MΩ @ 500V d.c. | >10 ³ MΩ @ 500V d.c. |
| Dielectric Strength: | >2.0kV a.c. | >2.0kV a.c. |
| Operating Temp. Range: | -20°C to +55°C | -20°C to +55°C |
| Operations | | |
| Mechanical: | 200,000 (min) | 200,000 (min) |
| Electrical: | 30,000 (min) | 30,000 (min) |
| Rear Nut Fixing Torque: | 12Nm max. | 12Nm max. |
| Materials | | |
| Mouldings: | Nylon | Nylon |
| Tags/Terminations: | Brass, Tin Plated | Brass, Tin Plated |
| Switch Body & Button: | Stainless Steel (Polished) | Stainless Steel (Polished) |
| Contacts: | Silver | Silver |
| Variants: | Nickel Plated Brass version details on request | Nickel Plated Brass version details on request |
| RoHS | Compliant | Compliant |

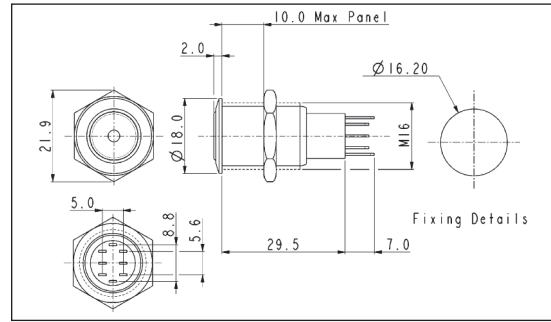
Stainless Steel Illuminated Momentary

FRONT PANEL MOUNTING



MP0045/1D1

- Dot Illuminated
- 18mm bezel diameter
- D.P.C.O.
- 3A, 250V ac
- Red, Green, Amber or Blue Illumination
- Separate LED Terminals

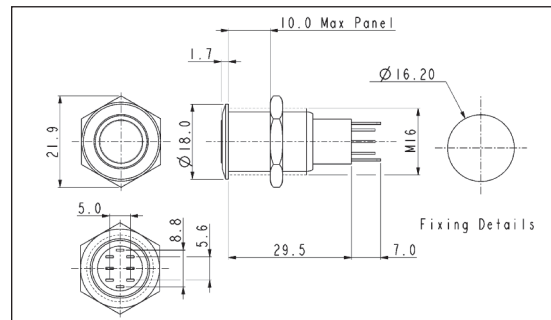


FRONT PANEL MOUNTING

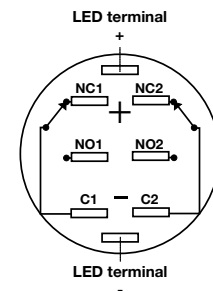


MP0045/1D2

- Ring Illuminated
- 18mm bezel diameter
- D.P.C.O.
- 3A, 250V ac
- Red, Green, Amber or Blue Illumination
- Separate LED Terminals



Contact Layout



Specification

MP0045/1D1/Colour/Voltage

| | | | | |
|-------------------------|--------------------------------------|-----------|-------|------|
| Terminations: | Solder Tags | | | |
| Illumination: | Dot | | | |
| Switching: | D.P.C.O. Momentary Action | | | |
| Max. Switch Rating: | 3A, 250V a.c. | | | |
| LEDs | | | | |
| Colours | Red | Green | Amber | Blue |
| Part No. | /RD | /GN | /AM | /BL |
| Voltage | 12V d.c. | 220V d.c. | | |
| Part No. | /012 | /220 | | |
| Contact Resistance: | 50mΩ max. @ 1A, 2V d.c. | | | |
| Insulation Resistance: | > 10 ³ MΩ @ 500V a.c. | | | |
| Dielectric Strength: | > 2.0kV a.c. | | | |
| Operating Temp. Range: | -20°C to +55°C | | | |
| Operations | | | | |
| Mechanical: | 200,000 (min) | | | |
| Electrical: | 30,000 (min) | | | |
| Rear Nut Fixing Torque: | 12Nm | | | |
| Materials | | | | |
| Mouldings: | Nylon | | | |
| Tags: | Brass, Silver Plated | | | |
| Switch Body & Button: | Stainless Steel (Polished) | | | |
| Variants | Prominent Button, details on request | | | |
| RoHS | Compliant | | | |

MP0045/1D2/Colour/Voltage

| | | | | |
|-------------------------|--------------------------------------|-----------|-------|------|
| Terminations: | Solder Tags | | | |
| Illumination: | Ring | | | |
| Switching: | D.P.C.O. Momentary Action | | | |
| Max. Switch Rating: | 3A, 250V a.c. | | | |
| LEDs | | | | |
| Colours | Red | Green | Amber | Blue |
| Part No. | /RD | /GN | /AM | /BL |
| Voltage | 12V d.c. | 220V d.c. | | |
| Part No. | /012 | /220 | | |
| Contact Resistance: | 50mΩ max. @ 1A, 2V d.c. | | | |
| Insulation Resistance: | > 10 ³ MΩ @ 500V a.c. | | | |
| Dielectric Strength: | > 2.0kV a.c. | | | |
| Operating Temp. Range: | -20°C to +55°C | | | |
| Operations | | | | |
| Mechanical: | 200,000 (min) | | | |
| Electrical: | 30,000 (min) | | | |
| Rear Nut Fixing Torque: | 12Nm | | | |
| Materials | | | | |
| Mouldings: | Nylon | | | |
| Tags: | Brass, Silver Plated | | | |
| Switch Body & Button: | Stainless Steel (Polished) | | | |
| Variants | Prominent Button, details on request | | | |
| RoHS | Compliant | | | |

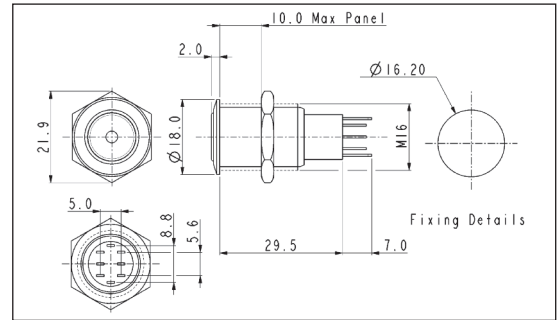
Stainless Steel Illuminated Latching

FRONT PANEL MOUNTING



MP0045/1E1

- Dot Illuminated
- 18mm bezel diameter
- D.P.C.O.
- 3A, 250V ac
- Red, Green, Amber or Blue Illumination
- Separate LED Terminals

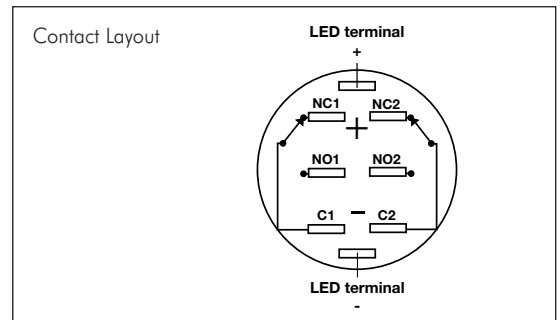
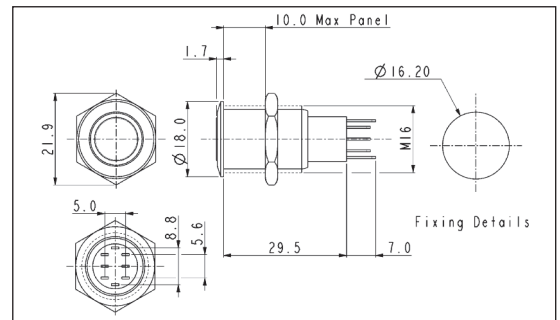


FRONT PANEL MOUNTING



MP0045/1E2

- Ring Illuminated
- 18mm bezel diameter
- D.P.C.O.
- 3A, 250V ac
- Red, Green, Amber or Blue Illumination
- Separate LED Terminals



| Specification | MP0045/1E1/Colour/Voltage | MP0045/1E2/Colour/Voltage |
|-------------------------|--------------------------------------|--------------------------------------|
| Terminations: | Solder Tags | Solder Tags |
| Illumination: | Dot | Ring |
| Switching: | D.P.C.O. Latching Action | D.P.C.O. Latching Action |
| Max. Switch Rating: | 3A, 250V a.c. | 3A, 250V a.c. |
| LEDs | | |
| Colours | Red Green Amber Blue | Red Green Amber Blue |
| Part No. | /RD /GN /AM /BL | /RD /GN /AM /BL |
| Voltage | 12V d.c. 220V d.c. | 12V d.c. 220V d.c. |
| Part No. | /012 /220 | /012 /220 |
| Contact Resistance: | 50mΩ max. @ 1A, 2V d.c. | 50mΩ max. @ 1A, 2V d.c. |
| Insulation Resistance: | > 10 ³ MΩ @ 500V a.c. | > 10 ³ MΩ @ 500V a.c. |
| Dielectric Strength: | > 2.0kV a.c. | > 2.0kV a.c. |
| Operating Temp. Range: | -20°C to +55°C | -20°C to +55°C |
| Operations | | |
| Mechanical: | 200,000 (min) | 200,000 (min) |
| Electrical: | 30,000 (min) | 30,000 (min) |
| Rear Nut Fixing Torque: | 12Nm | 12Nm |
| Materials | | |
| Mouldings: | Nylon | Nylon |
| Tags: | Brass, Silver Plated | Brass, Silver Plated |
| Switch Body & Button: | Stainless Steel (Polished) | Stainless Steel (Polished) |
| Variants | Prominent Button, details on request | Prominent Button, details on request |
| RoHS | Compliant | Compliant |

Looking for pricing, stock, or lifecycle information?

Click below to explore more details on WIN SOURCE:

 [View MP0045/3D0NN000 on WIN SOURCE](#)

 [Bulgin Information](#)

Optimize Your Supply Chain with WIN SOURCE Solutions

-  Global Sourcing Solution
-  Obsolete Management
-  Cost Control Management
-  Shortage Management
-  Alternative Solution
-  Excess Inventory Management