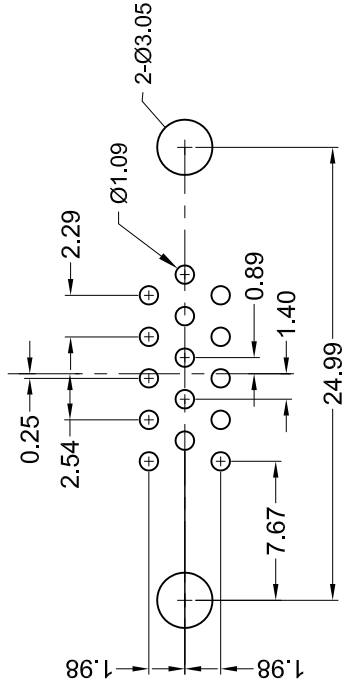
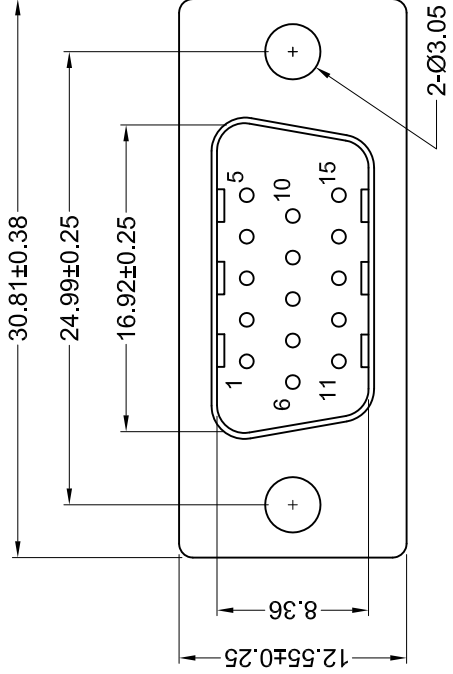


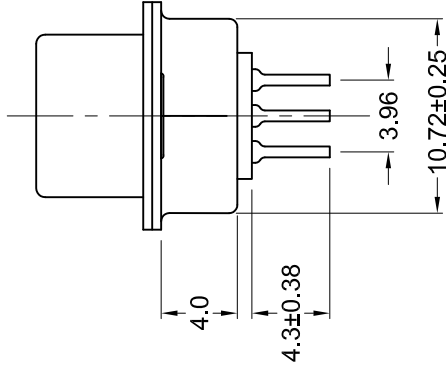
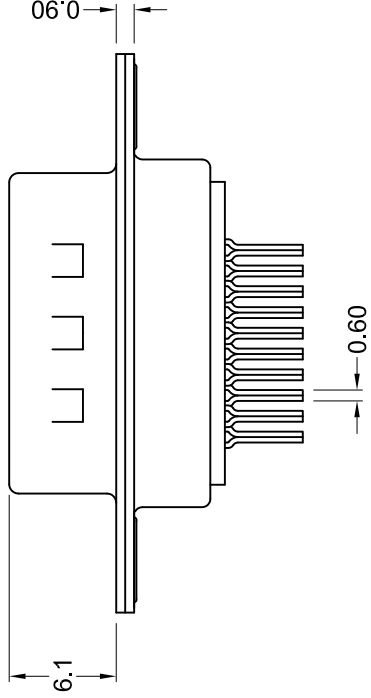


**THE DATASHEET OF
K86X-ED-15P**





Recommended PCB Layout
(Bottom View)



Ordering Information

Part Number	Contact Area Plating Finish
K86X-ED-15P	Gold Flash (standard)
K86X-ED-15P-15	15u" Gold (15 option)
K86X-ED-15P-30	30u" Gold (30 option)

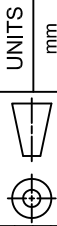
RoHS COMPLIA

REV.	DATE	DESCRIPTION	REV. BY	CHK. BY	DRAWN BY	DATE
A1	03/21/06	New Drawing	R. Aguirre	H. MA	R. Aguirre	03/21/06
A2	1/17/08	ECO# 07-052	WILL H.	H. MA		
A3	10/2/14	ECO#14-028	H. MA	P. DalCanto		
A4	12/31/17	ECO #17-033	J. Elbanna	C. Furumasa		

K86X-ED-15P

High Density Vertical Mount D-Sub, RoHS


15 pin plug, precision formed



UNITS
mm

Looking for pricing, stock, or lifecycle information?

Click below to explore more details on WIN SOURCE:

 [View K86X-ED-15P on WIN SOURCE](#)

 [Kycon, Inc. Information](#)

Optimize Your Supply Chain with WIN SOURCE Solutions

-  Global Sourcing Solution
-  Obsolete Management
-  Cost Control Management
-  Shortage Management
-  Alternative Solution
-  Excess Inventory Management