



**THE DATASHEET OF  
GCHDLP15F15F**



SPECIFICATIONS:

**MATERIALS:**

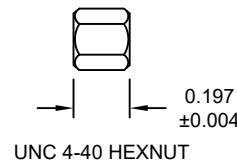
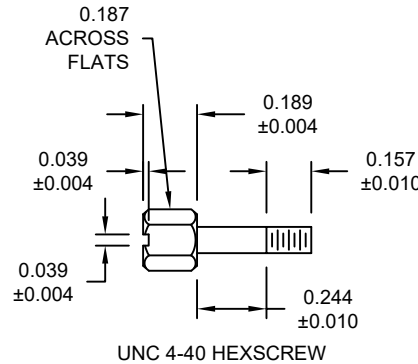
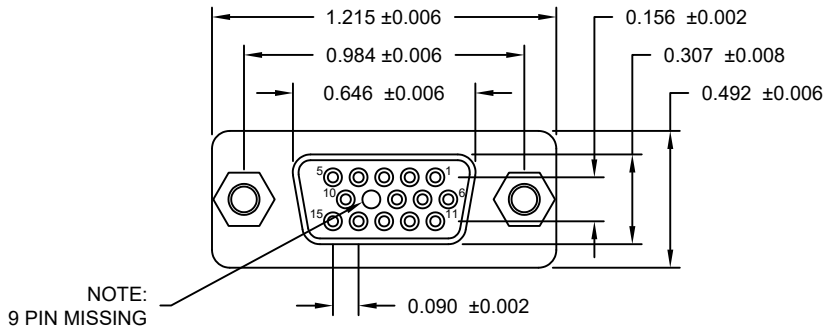
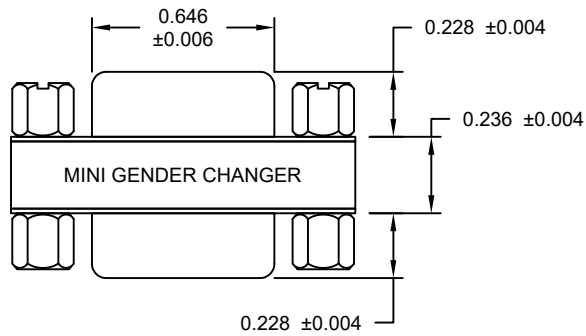
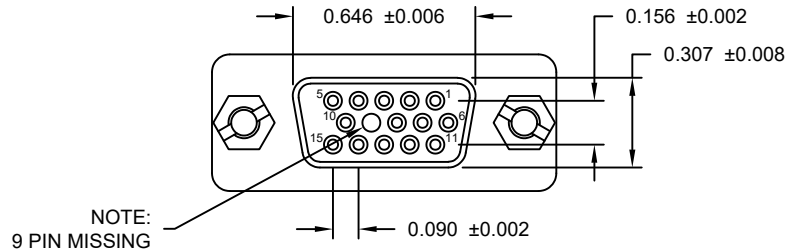
HOUSING: PBT, UL94 V-0  
 CONTACTS: GOLD FLASH PLATED BRASS  
 SHELL: TIN PLATED STEEL

**ELECTRICAL:**

RATED CURRENT: 3A  
 WORKING VOLTAGE: 250V  
 INSULATION RESISTANCE: 1000 MOhms MIN.  
 CONTACT RESISTANCE: 15 mOhms MAX.

**ENVIRONMENT:**

OPERATING TEMPERATURE: -55°C TO +105°C



15-PIN FEMALE		15-PIN FEMALE
1	---	1
2	---	2
3	---	3
	~	
9	NO CONNECTION	9
	~	
14	---	14
15	---	15
SHELL	---	SHELL
PIN OUT		

RoHS COMPLIANT

UNITS = inch [mm]

DO NOT SCALE FROM DRAWING



THESE DRAWINGS AND SPECIFICATIONS ARE THE PROPERTY OF NorComp AND SHALL NOT BE REPRODUCED, COPIED OR USED AS THE BASIS FOR THE MANUFACTURE OR SALE OF APPARATUS WITHOUT WRITTEN PERMISSION.

DRAWN:

C. SMITH

DATE:

10/12/2007

NorComp

SCALE:

NTS

SHEET

OF

1

1

REV

4

DWG NO.

GCHDLP15F15F

## Looking for pricing, stock, or lifecycle information?

Click below to explore more details on WIN SOURCE:

 [View GCHDLP15F15F on WIN SOURCE](#)

 [NorComp Inc. Information](#)

## Optimize Your Supply Chain with WIN SOURCE Solutions

-  Global Sourcing Solution
-  Obsolete Management
-  Cost Control Management
-  Shortage Management
-  Alternative Solution
-  Excess Inventory Management