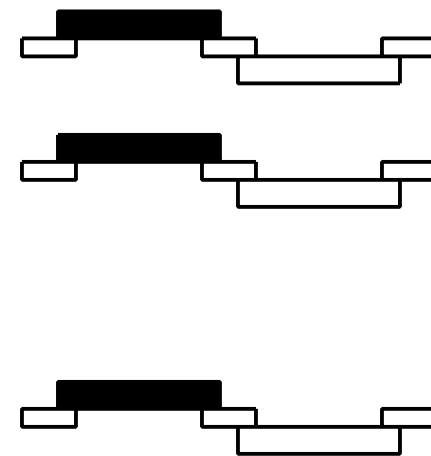


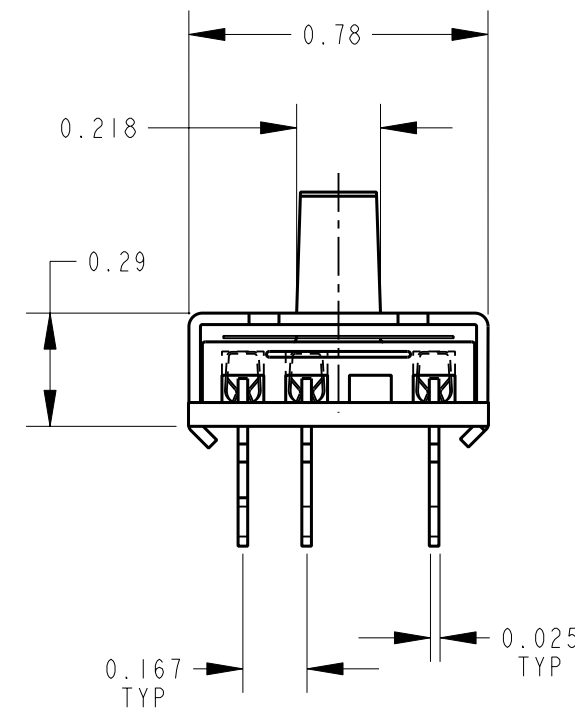
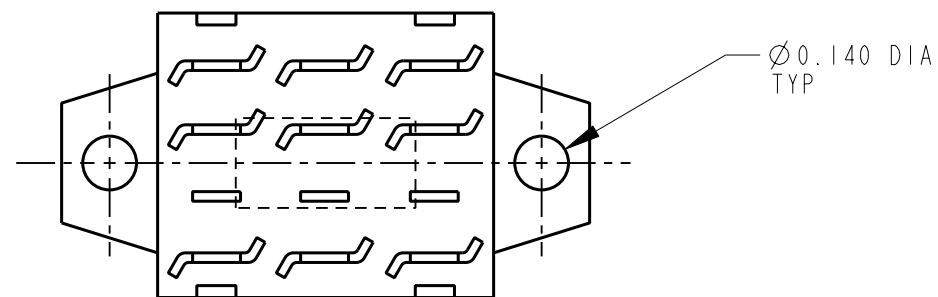
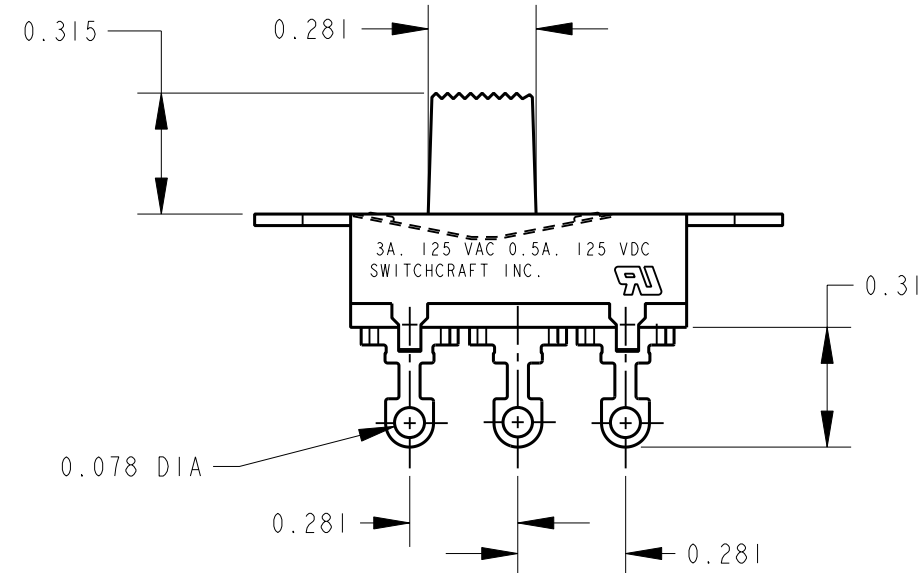
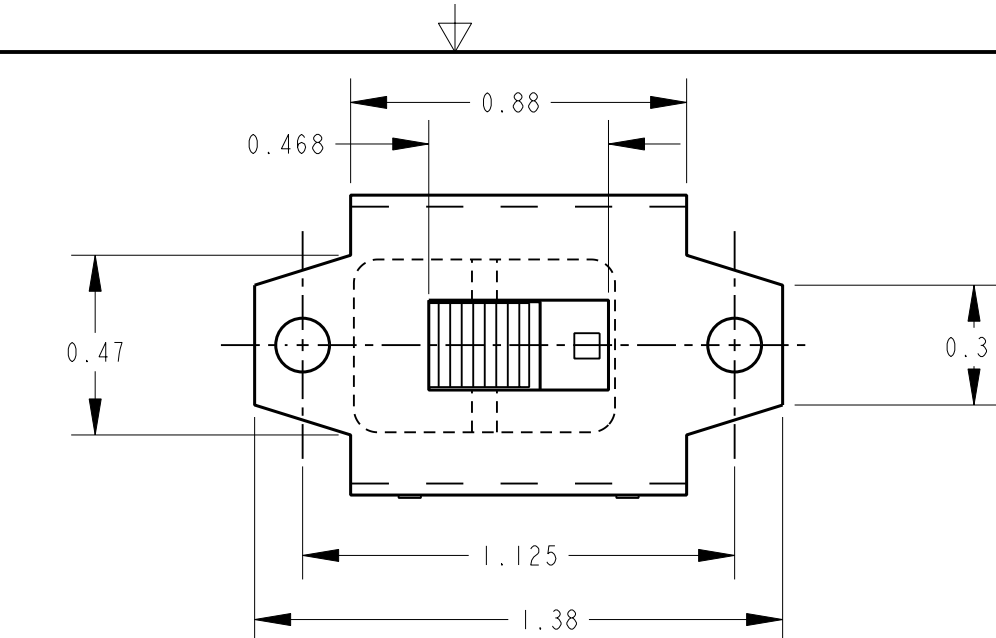


**THE DATASHEET OF
50209LX**





SCHEMATIC
3 POLE DOUBLE THROW



NOTE:

1. ALL DIMENSIONS ARE FOR REFERENCE UNLESS OTHERWISE SPECIFIED.
2. MATERIALS:
HOUSING - STEEL, ZINC PLATED
DETENT SHIM - NICKEL SILVER
KNOB - THERMOPLASTIC, BLACK
TERMINALS - BRASS, SILVER PLATED
TERMINAL BOARD - PHENOLIC
3. THIS PRODUCT IS RoHS COMPLIANT.

CUSTOMER DRAWING

REV	ECO NUMBER	DATE	BY	APVD
A	26044	6-24-06	JEB	TJK
REVISIONS				

★ STAR SYMBOL DENOTES CRITICAL DIMENSION

UNLESS OTHERWISE SPECIFIED

1. ALL DIMENSIONS IN INCHES
- TWO PLACE DECIMALS ±0.01
- THREE PLACE DECIMALS ±0.005
- ANGLES ±1°
- ALL DIA. CONCENTRIC WITHIN 0.005 T.I.R.
2. FEATURES ON THE SAME CENTERLINE MUST BE ALIGNED WITHIN ±0.002
3. REMOVE ALL BURRS

DO NOT SCALE DRAWING

THIS DRAWING DESCRIBES A DESIGN CONSIDERED PROPRIETARY IN NATURE, DEVELOPED AND MANUFACTURED BY SWITCHCRAFT INC. AND IS RELEASED ON A CONFIDENTIAL BASIS FOR IDENTIFICATION PURPOSES ONLY.				
SIZE	WIDTH	MULT	LBS/M	TEMPER
FINISH		MATERIAL		
SPEC No.		SPEC No.		
FIRST USED ON		SCALE		
		1 = 0.5		
DATE DRAWN	BY	CHKD	APVD	
22-Aug-08	JEB	JEB	TJK	
		08-22-08	08-24-08	
NAME		PART No.		REV
3 P.D.T. SLIDE SWITCH, RoHS		50209LX		A

Switchcraft

SHEET 1 OF 1

Looking for pricing, stock, or lifecycle information?

Click below to explore more details on WIN SOURCE:

 [View 50209LX on WIN SOURCE](#)

 [Switchcraft Inc. Information](#)

Optimize Your Supply Chain with WIN SOURCE Solutions

-  Global Sourcing Solution
-  Obsolete Management
-  Cost Control Management
-  Shortage Management
-  Alternative Solution
-  Excess Inventory Management