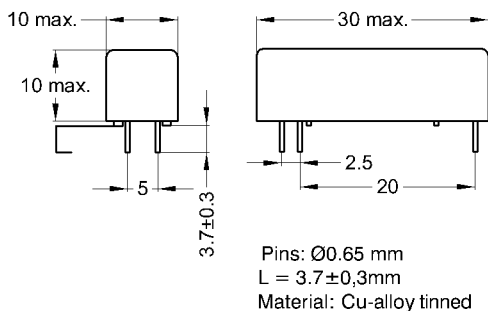


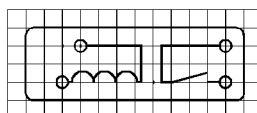
DIMENSIONS (mm)



tolerances according to DIN ISO 2768 m

LAYOUT

pitch 2.5 mm/Top view



MARKING



MEDER-Label
 Type/Layout
 Production code,
 EN60062/Factory code
 PTB 01 ATEX 2050U
 0344 I(1)G [EEEx ia] IIC



| Coil Data at 20 °C | Conditions | Min | Typ | Max | Unit |
|--------------------|--|-------|-------|-------|------|
| Coil resistance | | 1.170 | 1.300 | 1.430 | Ohm |
| Inductance | | | 305 | | mH |
| Coil voltage | | | 12 | | VDC |
| Rated power | | | 110 | | mW |
| Thermal resistance | max. Relay temperature = operating temperature + self heating | | 85 | | K/W |
| Pull-In voltage | | | | 9 | VDC |
| Drop-Out voltage | | 2 | | | VDC |

| Special Product Data | Conditions | Min | Typ | Max | Unit |
|---------------------------|--|-----|-----|-----|------|
| Contact rating | Any DC combination of V & A not to exceed their individual max.'s | | | 10 | W |
| Switching voltage | DC or Peak AC | | | 200 | V |
| Switching current | DC or Peak AC | | | 0,5 | A |
| Carry current | DC or Peak AC | | | 1 | A |
| Contact resistance static | Measured with 40% overdrive Start Value | | | 150 | mOhm |
| Insulation resistance | RH <45 %, 200 V test voltage | 10 | | | GOhm |
| Breakdown voltage | | 300 | | | VDC |
| Operate time incl. bounce | measured with 40% overdrive | | | 0,5 | ms |
| Release time | measured with no coil excitation | | | 0,2 | ms |
| Capacitance | @ 10 kHz across open switch | | 0,8 | | pF |

| Environmental data | Conditions | Min | Typ | Max | Unit |
|------------------------------------|-------------------------------|-------|-----|---|-------|
| Insulation resistance Coil/Contact | RH <45%, 200 VDC test voltage | 1.000 | | | GOhm |
| Insulation voltage Coil/Contact | according to IEC 255-5 | 2,5 | | | kV AC |
| Shock | 1/2 sine wave duration 11ms | | | 50 | g |
| Vibration | from 10 - 2000 Hz | | | 20 | g |
| Ambient temperature | | -20 | | 85 | °C |
| Storage temperature | | -40 | | 105 | °C |
| Soldering temperature | wave soldering max. 5 sec. | | | 260 | °C |
| Washability | | | | fully sealed | |
| Housing material | | | | Plastics / Polyamid | |
| Sealing compound | | | | Polyurethan | |
| Connection pins | | | | Copper alloy tin plated | |
| Remarks | | | | Reed-Relay to be used for the galvanic separation | |
| Remarks 1. | | | | of intrinsically safe and non-intrinsically safe | |
| Remarks 2. | | | | circuits with Ex-approval by PTB 01 ATEX 2050 U. | |

Looking for pricing, stock, or lifecycle information?

Click below to explore more details on WIN SOURCE:

-  [View MRX12-1A71 on WIN SOURCE](#)
-  [Standex-Meder Electronics](#) Information

Optimize Your Supply Chain with WIN SOURCE Solutions

-  Global Sourcing Solution
-  Obsolete Management
-  Cost Control Management
-  Shortage Management
-  Alternative Solution
-  Excess Inventory Management