



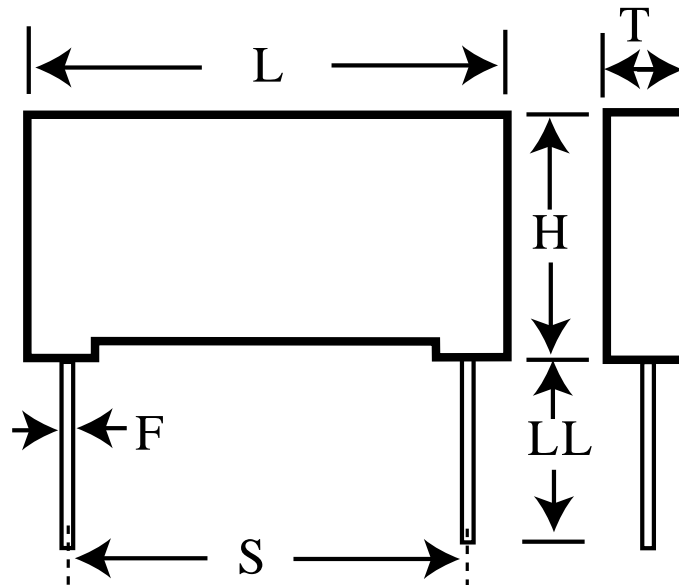
**THE DATASHEET OF
R46KN410000P0K**



R46KN410000P0K

aka 46KN410000P0K

Capacitor, film, 1 uF, +/-10% Tol, -40/+110C, Safety: X2, 275VAC, Lead Spacing=22.5 mm



Dimensions (mm)

Specifications

ID	Dimension	Tolerance
L	26.5	+0.3
H	18.5	+0.1
T	10	+0.2
S	22.5	+/-0.4
LL	4	+2
F	0.8	+/-0.05

Manufacturer:	KEMET
Brand:	Arcotronics
Capacitance:	1 uF
Temperature Range:	-40/+110C
Rated Temperature:	105C
Voltage @ rated temp:	560V
Voltage AC:	275VAC
Tolerance:	+/-10%
Body Type:	Radial Box
Construction:	Wound
Application:	Safety: X2
Dissipation Factor @ 1 kHz:	0.1%
Insulation Resistance:	30 GOhm
Maximum dVdT:	200v/us
UL_1414:	250V
UL_1283:	310V
IEC_60384-14:	275V
CSA_384-14:	275V
CQC_GB/T 14472:	275V
Package Kind:	Bulk
Package Type:	Bag
Package Quantity:	396

Looking for pricing, stock, or lifecycle information?

Click below to explore more details on WIN SOURCE:

 [View R46KN410000P0K on WIN SOURCE](#)

 [Kemet Information](#)

Optimize Your Supply Chain with WIN SOURCE Solutions

-  Global Sourcing Solution
-  Obsolete Management
-  Cost Control Management
-  Shortage Management
-  Alternative Solution
-  Excess Inventory Management