



# THE DATASHEET OF PYC6044

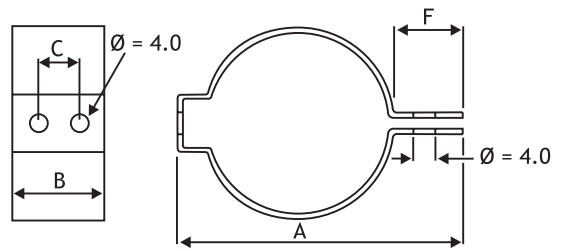


CLIPS

**DIMENSIONS mm MATERIAL Zinc plated steel**

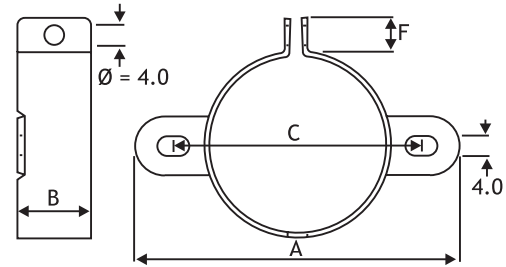
**Horizontal Mounting**

| TYPE | CAN DIA | A    | B    | C    | F    |
|------|---------|------|------|------|------|
| H1   | 25.0    | 40.0 | 22.3 | 12.8 | 10.0 |
| H2   | 35.0    | 52.0 | 22.3 | 12.8 | 10.0 |

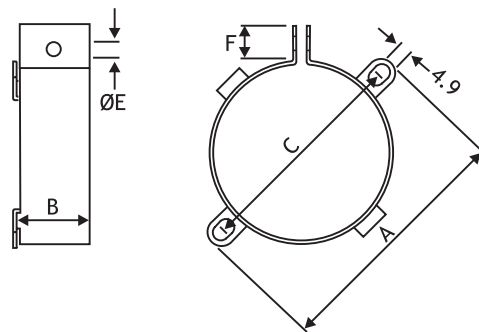


**Vertical Mounting**

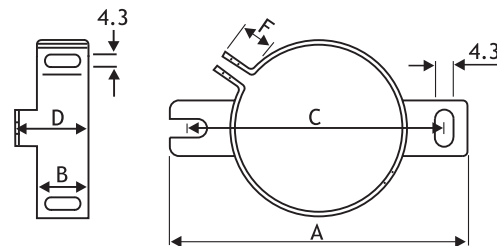
| TYPE | CAN DIA | A    | B    | C    | F    |
|------|---------|------|------|------|------|
| V2   | 25.0    | 49.0 | 19.0 | 37.0 | 10.0 |
| V3   | 35.0    | 58.0 | 19.0 | 45.0 | 9.0  |
| V9   | 40.0    | 65.0 | 19.0 | 52.4 | 9.5  |



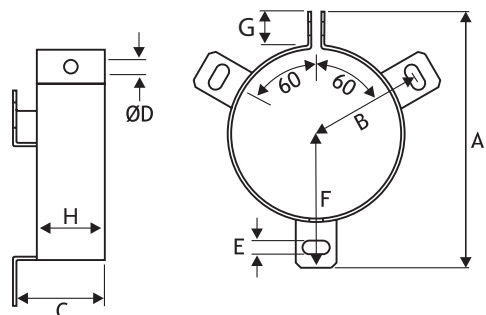
| TYPE    | CAN DIA | A    | B    | C    | E   | F    |
|---------|---------|------|------|------|-----|------|
| V4      | 51.0    | 75.0 | 25.4 | 64.0 | 5.0 | 10.0 |
| V6      | 45.0    | 69.5 | 17.4 | 58.0 | 4.0 | 10.0 |
| V8      | 63.5    | 88.9 | 25.4 | 77.5 | 5.0 | 9.5  |
| PYC6041 | 35      | 64   | 19   | 52   | 4.5 | 11.5 |



| TYPE    | CAN DIA | A    | B    | C    | D    | F   |
|---------|---------|------|------|------|------|-----|
| UTE2736 | 35.0    | 63.0 | 12.2 | 54.0 | 17.2 | 9.0 |



| TYPE    | CAN DIA | A     | B    | C    | D   | E   | F    | G  | H  |
|---------|---------|-------|------|------|-----|-----|------|----|----|
| V10     | 65.0    | 90.0  | 40.0 | 30.0 | 5.0 | 4.5 | -    | 10 | 20 |
| V11     | 76.0    | 103.0 | 45.5 | 30.0 | 5.0 | 4.5 | -    | 10 | 20 |
| V90     | 90.0    | 116.0 | 53.5 | 30.0 | 5.0 | 4.5 | -    | 10 | 20 |
| UTE2737 | 50.0    | 75.5  | 33.5 | 27.0 | 4.3 | 4.3 | 39.5 | 10 | 20 |
| UTE2738 | 65.0    | 88.5  | 39.0 | 27.0 | 4.3 | 4.3 | 45.0 | 10 | 20 |
| UTE2739 | 72.0    | 97.0  | 44.0 | 28.0 | 4.3 | 4.3 | 50.0 | 10 | 20 |
| PYC6042 | 50      | 78    | 32.5 | 30   | 5.5 | 4.5 | 39   | 12 | 19 |
| PYC6043 | 65      | 90.5  | 38   | 36   | 5.5 | 4.5 | 44   | 12 | 25 |
| PYC6044 | 75      | 100.5 | 43   | 36   | 5.5 | 4.5 | 49   | 12 | 25 |
| PYC6045 | 90      | 115.5 | 50.5 | 36   | 5.5 | 4.5 | 56.5 | 12 | 25 |



**Notes**

When using mounting clamps care should be taken not to obscure any safety vent in the can. Delivered without bolts and nuts for mounting. PYC clips are for PEH169 & PEH200 capacitors.

## Looking for pricing, stock, or lifecycle information?

Click below to explore more details on WIN SOURCE:

 [View PYC6044 on WIN SOURCE](#)

 [Kemet Information](#)

## Optimize Your Supply Chain with WIN SOURCE Solutions

-  Global Sourcing Solution
-  Obsolete Management
-  Cost Control Management
-  Shortage Management
-  Alternative Solution
-  Excess Inventory Management