



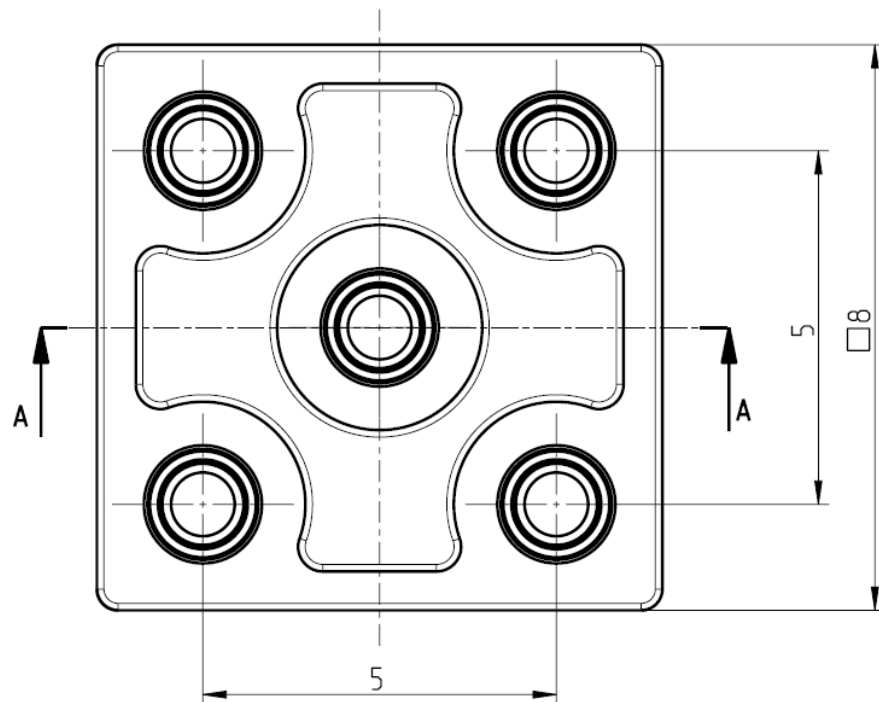
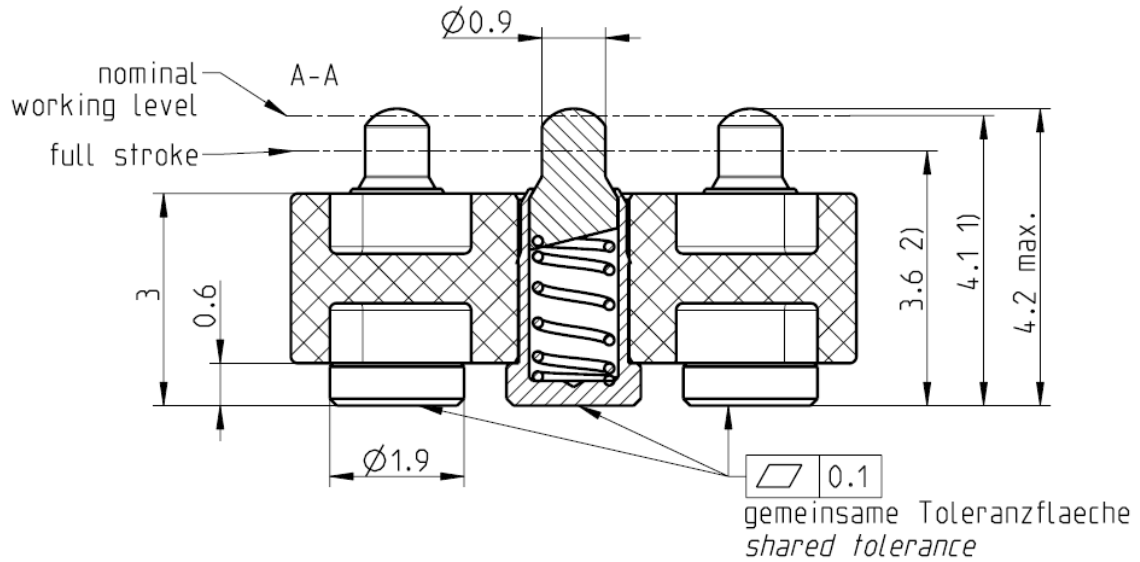
THE DATASHEET OF
99CI104-042L5



99CI

SPRING LOADED PIN
CONTROLLED IMPEDANCE

99CI104-042L



All dimensions are in mm; tolerances according to ISO 2768 m-H

Dieses Dokument ist urheberrechtlich geschützt • This document is protected by copyright • Rosenberger Hochfrequenztechnik GmbH & Co. KG

RF_35/05.10/6.0

99CI

SPRING LOADED PIN
CONTROLLED IMPEDANCE

99CI104-042L

Documents

Tape & reel packaging VG132.85000

Material and Plating

Connector parts

Piston
Ferrule
Spring
Dielectric

Material

Brass
Brass
Stainless steel (1.4310)
LCP

Plating

3 µm Ni / 0.15 µm Au
3 µm Ni / 0.15 µm Au

Electrical Data

Impedance 50 Ω
 Frequency DC to 6 GHz
 Return loss ≥ -32 dB, DC to 2 GHz
 ≥ -27 dB, 2 to 4 GHz
 ≥ -20 dB, 4 to 6 GHz
 Insertion loss ≤ 0.04 x √f(GHz) dB
 Insulation resistance ≥ 5 x10³ MΩ
 Contact resistance ≤ 25 mOhm after 5 cycles with operational stroke
 Test voltage 1000 V rms
 Working voltage 480 V rms
 Power handling (at 20 °C, sea level, VSWR 1.0) ≤ 100 W @ 2 GHz
 RF-leakage ≥ 40 dB up to 6 GHz
 - VSWR in application depends decisive on PCB layout -

Mechanical Data

Durability > 1,000
 Max. pin travel 0,6 mm
 Nominal height 4,2 mm
 Travel vs Force At 0.1 mm F1 = 0.2 N ±0.1 N
 At 0.6 mm F2 = 0.7 N ± 0.1 N

Environmental Data

Operational temperature -40°C to +90°C
 Storage temperature (*) -55 °C to +100 °C
 Salt mist (*) IEC 60068-2-52
 Duration 48h
 NaCl-saturation 5% of Mass
 ph-value 6.5-7.2 @ 35±2°C
 Cycle test Measure resistance 1,000 cycles
 Measure resistance IEC 61760-1, +260°C for 10 sec.
 compliant
 Max. soldering temperature 2002/95/EC (RoHS)

Cu layer (top)

Solder resist layout (top)

Dieses Dokument ist urheberrechtlich geschützt • This document is protected by copyright • Rosenberger Hochfrequenztechnik GmbH & Co. KG

RF_35/05.10/6.0

99CI

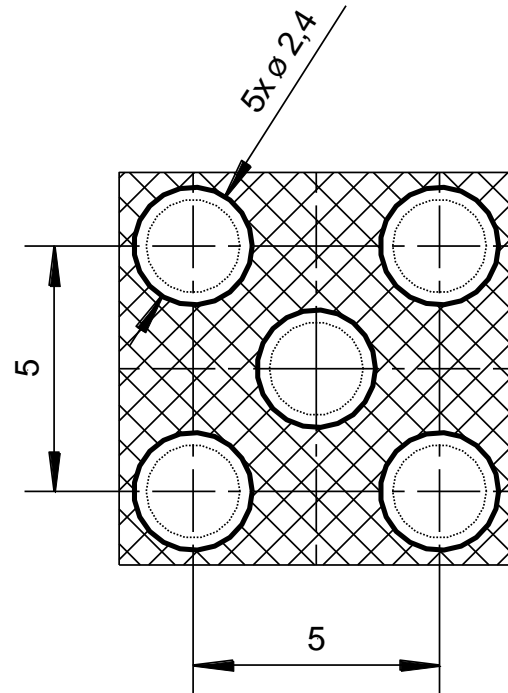
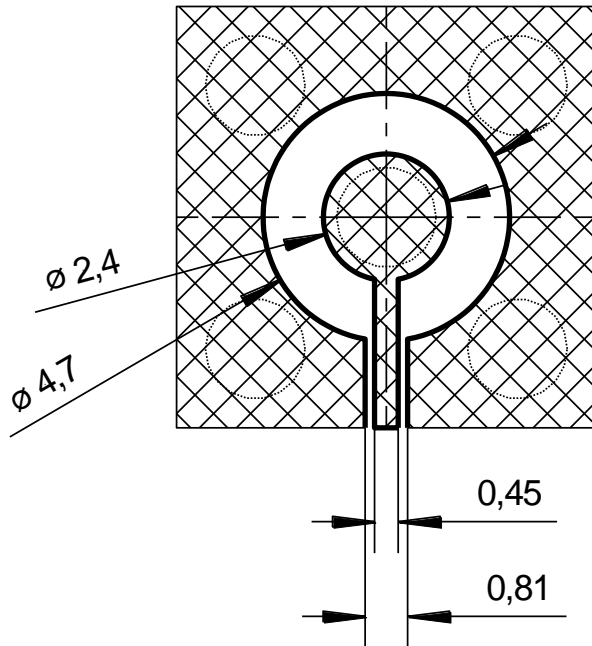
SPRING LOADED PIN
CONTROLLED IMPEDANCE

99CI104-042L

PCB Layout

Cu layer (top)

Solder resist layout (top)



Leiterplattenmaterial: FR 4
Cu-Schichtdicke 0,35µm
Oberfläche Hartvergoldet

A wide variety of transmissionline topologies and pcb-parameters like permittivity, substrate thickness, and board-stackup are applied by customers. These parameters have a strong impact on the high frequency performance of the mounted connector. Please note, that the given layout is not optimised to fit all of the possible board configurations regarding RF-performance, it represents a recommendation for optimum solderability of the connector. In order to guarantee optimum high frequency properties of the connector, an RF-analysis of the connector to board transition is recommended.

Packing

Standard 50 pcs Blister
Weight 0.35 g/pcs

While the information has been carefully compiled to the best of our knowledge, nothing is intended as representation or warranty on our part and no statement herein shall be construed as recommendation to infringe existing patents. In the effort to improve our products, we reserve the right to make changes judged to be necessary.

Dieses Dokument ist urheberrechtlich geschützt • This document is protected by copyright • Rosenberger Hochfrequenztechnik GmbH & Co. KG



RF_35/05.10/6.0

Draft	Date	Approved	Date	Rev.	Engineering change number	Name	Date
M. Wimmer	25.02.2015	C. Kainzmaier	07.06.18	c00	18-0940	M. Margardt	07.08.18


Rosenberger Hochfrequenztechnik GmbH & Co. KG P.O.Box 1260 D-84526 Tittmoning Germany www.rosenberger.de				Tel. : +49 8684 18-0 Email : info@rosenberger.de		Page 3 / 3
---	--	--	--	--	--	---------------

Looking for pricing, stock, or lifecycle information?

Click below to explore more details on WIN SOURCE:

-  [View 99CI104-042L5 on WIN SOURCE](#)
-  [Rosenberger Hochfrequenztechnik GmbH & Co. KG Information](#)

Optimize Your Supply Chain with WIN SOURCE Solutions

-  Global Sourcing Solution
-  Obsolete Management
-  Cost Control Management
-  Shortage Management
-  Alternative Solution
-  Excess Inventory Management