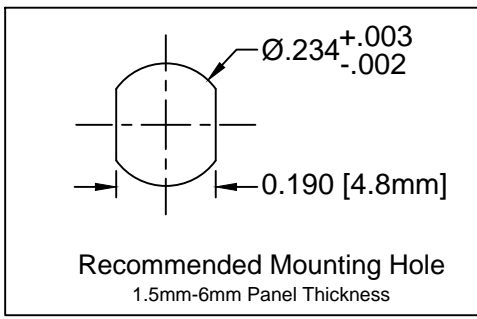
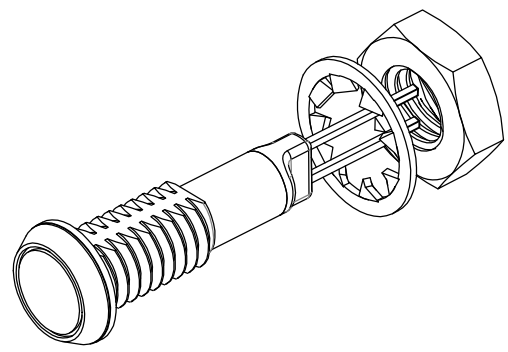
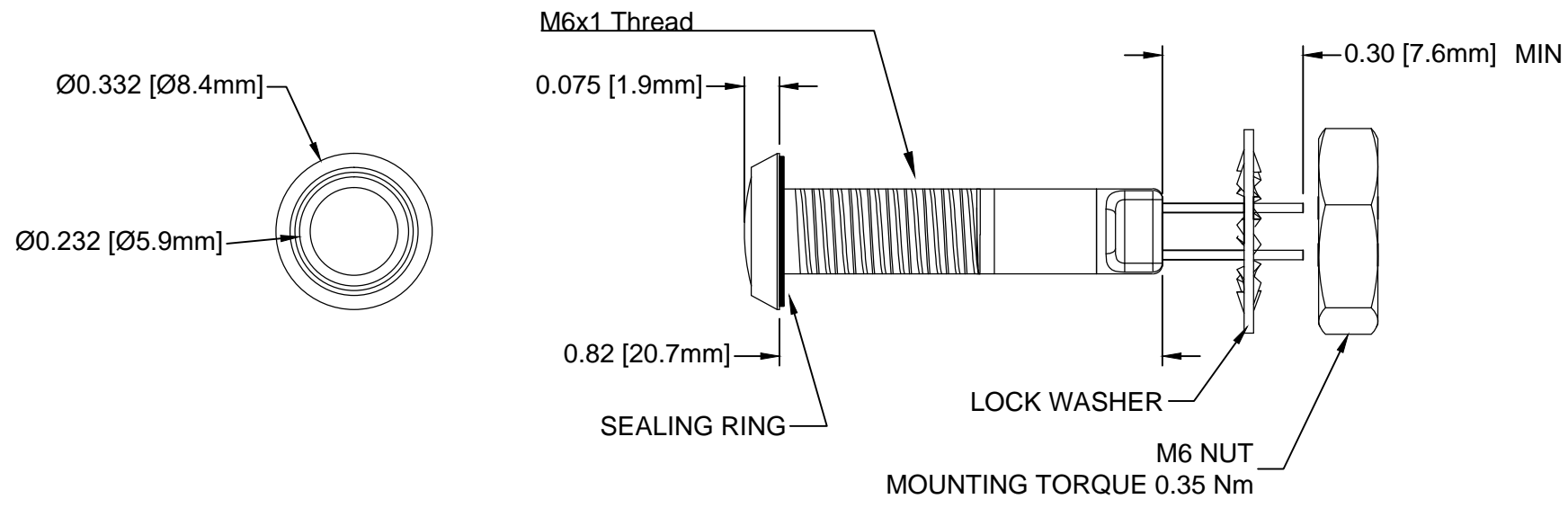




# THE DATASHEET OF PM3-PPGD



REV.	DESCRIPTION	DATE	APPROVED
A	Engineering Release	04/12/12	T. Y.
B	Updated Descriptions	03/21/13	T. Y.
C	Updated LED Optical Characteristics	09/15/15	J. C.
D	Updated per EOL Notice	06/16/20	A. V.



**CUSTOMER USE DRAWING**

**NOTES:**

1. SEALED TO IP67 RATING
2. WIDE RANGE VOLTAGE INPUT, 8-48 VAC/VDC
3. BIPOLAR OPERATION
4. ROHS COMPLIANT
5. MOUNTING HARDWARE SHIPPED NON-ASSEMBLED
6. INSERT SEALING RING ON PANEL MOUNT PRIOR TO PANEL INSERTION

STANDARD TOLERANCE (UNLESS OTHERWISE SPECIFIED)		 4 THOMAS, IRVINE, CA. 92618 TEL: (949) 951-8808 FAX: (949) 951-3974	
DECIMALS	ANGULAR		
.X ± .1	X° ± 1°	TITLE: IP67 Rated Panel Mount Indicator	
.XX ± .02			
.XXX ± .010		DRAWING NO: <b>PM3-PXXX</b>	
DESIGNED: T. Yin	DATE: 04/12/12	REVISION: <b>D</b>	
REVISED: V. Chavez	DATE: 06/16/20	SHEET SIZE: <b>A</b>	CAGE CODE: <b>32559</b>
CHECKED: A. Valdez	DATE: 06/16/20	SCALE: <b>N/A</b>	SHEET # <b>1 OF 2</b>
CAD GENERATED DOCUMENT, DO NOT MEASURE DRAWING			

REV.	DESCRIPTION	DATE	APPROVED
	SEE SHEET #1		

Assembly Part Number	LED Part Number	Peak Wave Length $\lambda_p$ (nm)	Emitted Color	Lens Appearance	Electro-Optical Data @ 20mA		Viewing Angle
					Typ Vf (VAC/VDC)	LED Iv (mcd)	
					TYP	TYP	
<b>PM3-PAD</b>	3SAD-S	610	AMBER	WHITE DIFFUSED	8-48	100	120
<b>PM3-PGD</b>	3SGD-S	568	GREEN	WHITE DIFFUSED	8-48	30	120
<b>PM3-PHD</b>	3HD-S	625	HE RED	WHITE DIFFUSED	8-48	30	120
<b>PM3-PPGD</b>	3SPGD-S	555	PURE GREEN	WHITE DIFFUSED	8-48	20	120
<b>PM3-PRD</b>	3SRD-S	645	RED	WHITE DIFFUSED	8-48	40	120

**CUSTOMER USE DRAWING**

**ABSOLUTE MAXIMUM RATINGS (Ta = 25°C)**

MAXIMUM POWER DISSIPATION \_\_\_\_\_ 400 mW  
 OPERATING TEMPERATURE RANGE \_\_\_\_\_ -30°C ~ 85°C  
 STORAGE TEMPERATURE \_\_\_\_\_ -40°C ~ 85°C



<b>CAGE CODE</b>	<b>32559</b>	<b>DRAWING NO:</b>	PM3-PXXX	<b>REVISION:</b>	D
<b>SHEET SIZE</b>	<b>A</b>	SCALE:	N/A	<b>SHEET # 2 OF 2</b>	
CAD GENERATED DOCUMENT, DO NOT MEASURE DRAWING					

## Looking for pricing, stock, or lifecycle information?

Click below to explore more details on WIN SOURCE:

 [View PM3-PPGD on WIN SOURCE](#)

 [Bivar Inc. Information](#)

## Optimize Your Supply Chain with WIN SOURCE Solutions

-  Global Sourcing Solution
-  Obsolete Management
-  Cost Control Management
-  Shortage Management
-  Alternative Solution
-  Excess Inventory Management