

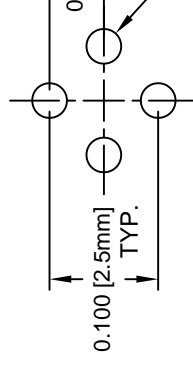
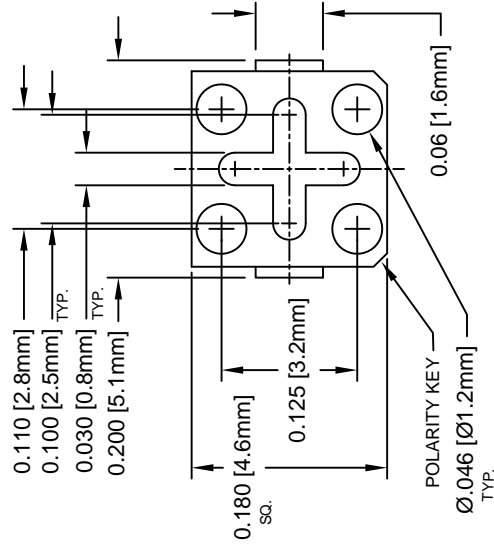


|      |                         |
|------|-------------------------|
| REV. |                         |
| B    | Engineering Update      |
| C    | Added 03-NL-BK Material |
| D    | Updated Model           |
| E    | Removed Material C      |

| PART NO. | H          | F          | T          |
|----------|------------|------------|------------|
| 460-060  | .060 (1.5) | .010 (.25) |            |
| 460-070  | .070 (1.8) | .015 (.38) |            |
| 460-080  | .080 (2.0) | .020 (.51) |            |
| 460-090  | .090 (2.3) | .025 (.64) |            |
| 460-100  | .100 (2.5) | .030 (.76) |            |
| 460-110  | .110 (2.8) | .035 (.89) |            |
| 460-120  | .120 (3.0) | .040 (1.0) |            |
| 460-130  | .130 (3.3) | .045 (1.1) |            |
| 460-140  | .140 (3.6) | .050 (1.3) | .040 (1.0) |
| 460-150  | .150 (3.8) | .055 (1.4) |            |
| 460-160  | .160 (4.1) | .060 (1.5) |            |
| 460-170  | .170 (4.3) | .065 (1.7) |            |
| 460-180  | .180 (4.6) | .070 (1.8) |            |
| 460-190  | .190 (4.8) | .075 (1.9) |            |
| 460-200  | .200 (5.1) | .080 (2.0) |            |
| 460-210  | .210 (5.3) | .085 (2.2) |            |

| PART NO. | H           | F          | T          |
|----------|-------------|------------|------------|
| 461-360  | .360 (9.1)  | .010 (.25) |            |
| 461-380  | .380 (9.7)  | .020 (.51) |            |
| 461-400  | .400 (10.2) | .030 (.76) |            |
| 461-420  | .420 (10.7) | .040 (1.0) |            |
| 461-440  | .440 (11.2) | .050 (1.3) |            |
| 461-460  | .460 (11.7) | .060 (1.5) | .340 (8.6) |
| 461-480  | .480 (12.2) | .070 (1.8) |            |
| 461-500  | .500 (12.7) | .080 (2.0) |            |
| 461-520  | .520 (13.2) | .090 (2.3) |            |
| 461-540  | .540 (13.7) | .100 (2.5) |            |

| PART NO. | H           | F          | T           |
|----------|-------------|------------|-------------|
| 462-560  | .560 (14.2) | .010 (.25) |             |
| 462-580  | .580 (14.7) | .020 (.51) |             |
| 462-600  | .600 (15.2) | .030 (.76) |             |
| 462-620  | .620 (15.7) | .040 (1.0) |             |
| 462-640  | .640 (16.3) | .050 (1.3) |             |
| 462-660  | .660 (16.8) | .060 (1.5) | .540 (13.7) |
| 462-680  | .680 (17.3) | .070 (1.8) |             |
| 462-700  | .700 (17.8) | .080 (2.0) |             |
| 462-720  | .720 (18.3) | .090 (2.3) |             |
| 462-730  | .730 (18.5) | .095 (2.4) |             |
| 462-740  | .740 (18.8) | .100 (2.5) |             |



Recommended Mounting


| PART NO. | H          | F          | T          |
|----------|------------|------------|------------|
| 465-200  | .200 (5.1) | .025 (.64) |            |
| 465-210  | .210 (5.3) | .030 (.76) |            |
| 465-220  | .220 (5.6) | .035 (.89) |            |
| 465-230  | .230 (5.8) | .040 (1.0) |            |
| 465-240  | .240 (6.1) | .045 (1.1) |            |
| 465-250  | .250 (6.4) | .050 (1.3) |            |
| 465-260  | .260 (6.6) | .055 (1.4) |            |
| 465-270  | .270 (6.9) | .060 (1.5) |            |
| 465-280  | .280 (7.1) | .065 (1.7) | .150 (3.8) |
| 465-290  | .290 (7.4) | .070 (1.8) |            |
| 465-300  | .300 (7.6) | .075 (1.9) |            |
| 465-310  | .310 (7.9) | .080 (2.0) |            |
| 465-320  | .320 (8.1) | .085 (2.2) |            |
| 465-330  | .330 (8.4) | .090 (2.3) |            |
| 465-340  | .340 (8.6) | .095 (2.4) |            |
| 465-350  | .350 (8.9) | .100 (2.5) |            |

|   |         |       |
|---|---------|-------|
| STANDARD TOLERANCES<br>(UNLESS OTHERWISE SPECIFIED) | ANGULAR | DATE: |
| DECIMALS  | X°      | 08/00 |
| .X ± .1   |         | DATE: |
| .XX ± .01   |         | 08/00 |
| .XXX ± .005   |         |       |
| DESIGNED:   |         |       |
| D. Green  |         |       |
| CHECKED:  |         |       |
| M. Chen   |         |       |

2. MATERIAL: NYLON 6/6, 94V-2, NATURAL.
1. GENERAL SPECIFICATIONS: BIVAR MOLDED COMPONENT SPECIFICATION BV00-E101.

## Looking for pricing, stock, or lifecycle information?

Click below to explore more details on WIN SOURCE:

 [View 465-350 on WIN SOURCE](#)

 [Bivar Inc. Information](#)

## Optimize Your Supply Chain with WIN SOURCE Solutions

-  Global Sourcing Solution
-  Obsolete Management
-  Cost Control Management
-  Shortage Management
-  Alternative Solution
-  Excess Inventory Management