



THE DATASHEET OF
460-090

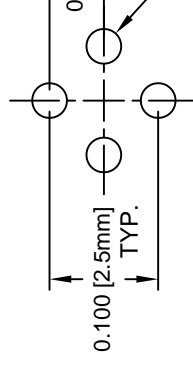
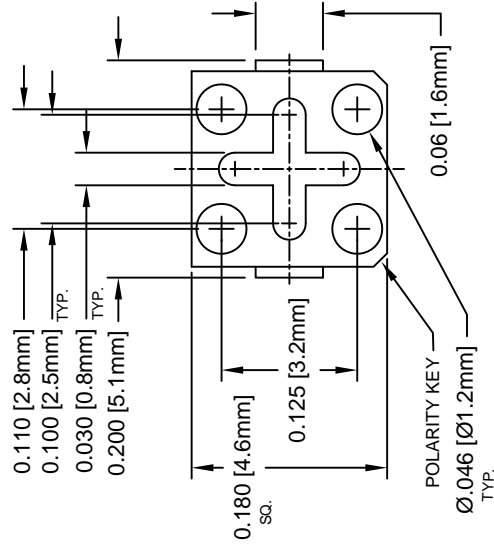


REV.	
B	Engineering Update
C	Added 03-NL-BK Material
D	Updated Model
E	Removed Material Callouts

PART NO.	H	F	T
460-060	.060 (1.5)	.010 (.25)	
460-070	.070 (1.8)	.015 (.38)	
460-080	.080 (2.0)	.020 (.51)	
460-090	.090 (2.3)	.025 (.64)	
460-100	.100 (2.5)	.030 (.76)	
460-110	.110 (2.8)	.035 (.89)	
460-120	.120 (3.0)	.040 (1.0)	
460-130	.130 (3.3)	.045 (1.1)	
460-140	.140 (3.6)	.050 (1.3)	.040 (1.0)
460-150	.150 (3.8)	.055 (1.4)	
460-160	.160 (4.1)	.060 (1.5)	
460-170	.170 (4.3)	.065 (1.7)	
460-180	.180 (4.6)	.070 (1.8)	
460-190	.190 (4.8)	.075 (1.9)	
460-200	.200 (5.1)	.080 (2.0)	
460-210	.210 (5.3)	.085 (2.2)	

PART NO.	H	F	T
461-360	.360 (9.1)	.010 (.25)	
461-380	.380 (9.7)	.020 (.51)	
461-400	.400 (10.2)	.030 (.76)	
461-420	.420 (10.7)	.040 (1.0)	
461-440	.440 (11.2)	.050 (1.3)	
461-460	.460 (11.7)	.060 (1.5)	.340 (8.6)
461-480	.480 (12.2)	.070 (1.8)	
461-500	.500 (12.7)	.080 (2.0)	
461-520	.520 (13.2)	.090 (2.3)	
461-540	.540 (13.7)	.100 (2.5)	

PART NO.	H	F	T
462-560	.560 (14.2)	.010 (.25)	
462-580	.580 (14.7)	.020 (.51)	
462-600	.600 (15.2)	.030 (.76)	
462-620	.620 (15.7)	.040 (1.0)	
462-640	.640 (16.3)	.050 (1.3)	
462-660	.660 (16.8)	.060 (1.5)	.540 (13.7)
462-680	.680 (17.3)	.070 (1.8)	
462-700	.700 (17.8)	.080 (2.0)	
462-720	.720 (18.3)	.090 (2.3)	
462-730	.730 (18.5)	.095 (2.4)	
462-740	.740 (18.8)	.100 (2.5)	



Recommended Mounting

PART NO.	H	F	T
465-200	.200 (5.1)	.025 (.64)	
465-210	.210 (5.3)	.030 (.76)	
465-220	.220 (5.6)	.035 (.89)	
465-230	.230 (5.8)	.040 (1.0)	
465-240	.240 (6.1)	.045 (1.1)	
465-250	.250 (6.4)	.050 (1.3)	
465-260	.260 (6.6)	.055 (1.4)	
465-270	.270 (6.9)	.060 (1.5)	
465-280	.280 (7.1)	.065 (1.7)	.150 (3.8)
465-290	.290 (7.4)	.070 (1.8)	
465-300	.300 (7.6)	.075 (1.9)	
465-310	.310 (7.9)	.080 (2.0)	
465-320	.320 (8.1)	.085 (2.2)	
465-330	.330 (8.4)	.090 (2.3)	
465-340	.340 (8.6)	.095 (2.4)	
465-350	.350 (8.9)	.100 (2.5)	

STANDARD TOLERANCES
(UNLESS OTHERWISE SPECIFIED)

DECIMALS	ANGULAR
.X ± .1	X°
.XX ± .01	
.XXX ± .005	

DESIGNED: **D. Green** DATE: **08/0/08**


CHECKED: **M. Chen** DATE: **08/0/08**

2. MATERIAL: NYLON 6/6, 94V-2, NATURAL.

1. GENERAL SPECIFICATIONS: BIVAR MOLDED COMPONENT SPECIFICATION BV00-E101.

Looking for pricing, stock, or lifecycle information?

Click below to explore more details on WIN SOURCE:

 [View 460-090 on WIN SOURCE](#)

 [Bivar Inc. Information](#)

Optimize Your Supply Chain with WIN SOURCE Solutions

-  Global Sourcing Solution
-  Obsolete Management
-  Cost Control Management
-  Shortage Management
-  Alternative Solution
-  Excess Inventory Management