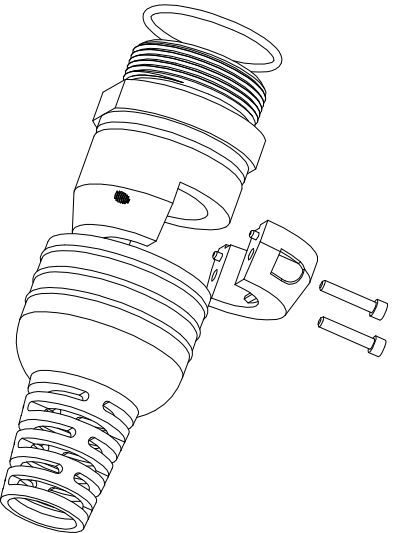
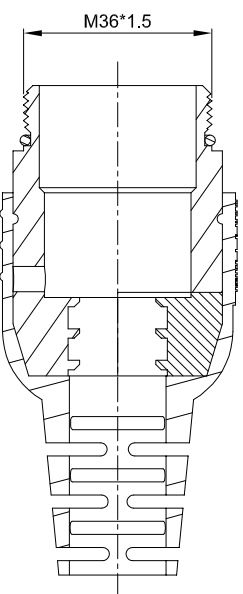
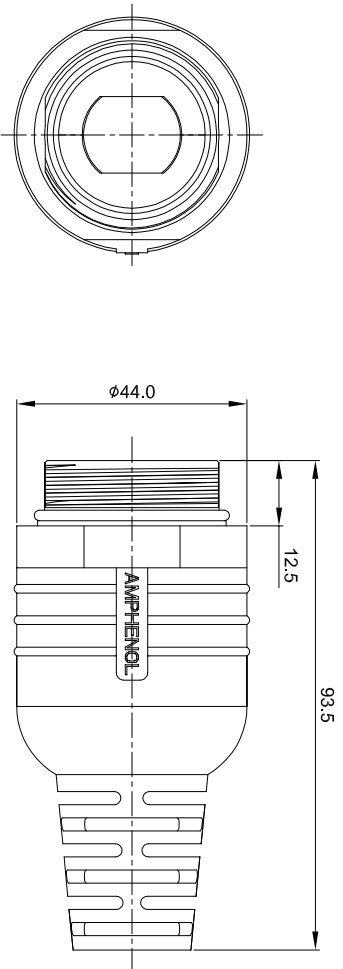




**THE DATASHEET OF
MC4FSR-C18.5**



REVISIONS					
REV	ECO	DESCRIPTION	DATE	BY	APPR
A1	-	FIRST RELEASE	May,15,2015	Drack	TOMMY



NOTES: UNLESS OTHERWISE SPECIFIED

1. MATERIAL:
BOOT: THERMOPLASTIC ELASTOMER
SEAL: VITON
HOUSING BODY: ZINC DIE CAST, NICKEL PLATED

2. SPECIFICATIONS:
2.1 DEGREE OF PROTECTION: IP67 (MATED CONDITION)
2.2 RoHS COMPLIANT
2.3 CABLE OD RANGE:17.5-18.5mm

3. ALL DIMENSIONS ARE FOR REFERENCE USE ONLY.

QUANTITY	SEE PART NUMBER CHART	PART NUMBER	DESCRIPTION	ITEM
MATERIALS LIST				
UNLESS OTHERWISE SPECIFIED				
1) All dimensions are in millimeters.				
2) Tolerances are as follows:				
1 Pt. DEC 20.30 Fractions ±1/64				
3 Pt. DEC 20.48 Angles ±1°				
3) Note reference =				
MATERIAL SPECIFICATIONS:		APPROVAL:	CUSTOMER:	
PROCESS SPECIFICATIONS:		THIS DRAWING IS SUPPLIED FOR YOUR USE ONLY. SPECIFICATIONS AND PERFORMANCE DATA SHOWN HEREON ARE THE PROPERTY OF AMPHENOL. REPRODUCTION AND RIGHTS OF REPRODUCTION ARE LIMITED. ALL DIMENSIONS ARE SUBJECT TO NORMAL MANUFACTURING VARIATIONS.		
NEXT ASSY:		SCALE:	NONE	
		SIZE:	B	
		TYPE:	C-	
		DWG NO.:	MC4FSR-C18.5	
		REVISION:	A1	
		SHEET:	1	OF 1

Amphenol

Site Systems - www.amphenol-site.com
44724 Modely Drive
Clifton Township, MI 48036

MA0.CORD.GRIP.17.5-18.5mm

TITLE:

MA0.CORD.GRIP.17.5-18.5mm

DWG NO.: MC4FSR-C18.5

REV: A1

SH: 1

OF: 1

Looking for pricing, stock, or lifecycle information?

Click below to explore more details on WIN SOURCE:

- ⊖ [View MC4FSR-C18.5 on WIN SOURCE](#)
- ⊖ [Amphenol Sine Systems Corp Information](#)

Optimize Your Supply Chain with WIN SOURCE Solutions

- ✓ Global Sourcing Solution
- ✓ Obsolete Management
- ✓ Cost Control Management
- ✓ Shortage Management
- ✓ Alternative Solution
- ✓ Excess Inventory Management