



**THE DATASHEET OF
GT17W-1P/S-R**

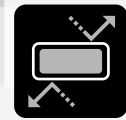


GT17H/HN Series

High-Speed Data Transmission Shielded Connector with Robust Automotive Lock



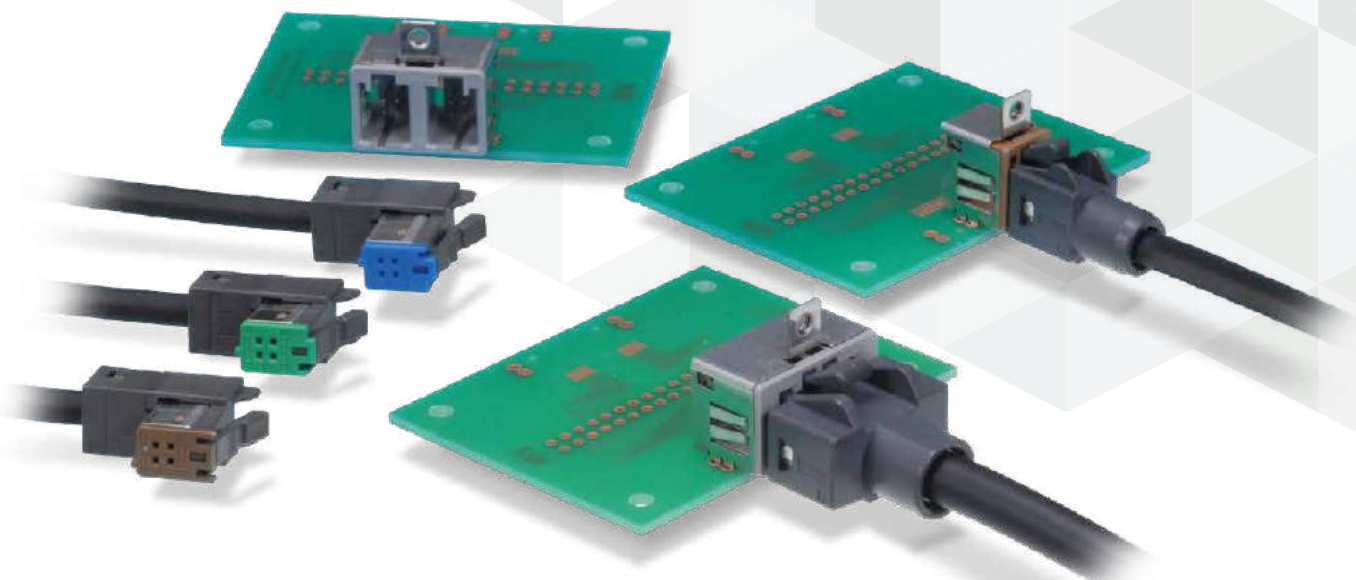
High-Speed



Shield



Secure-Lock



Features

1. Low-profile, Space-saving Design

GT17H : Single-row, Low-profile
GT17HN : Double-row, Space-saving

2. Supports high-speed data transmission up to 1Gbps and enhanced EMI prevention

Supports USB2.0, IEEE1394, LVDS and GVIF.

3. Robust lock design ensures reliable connection and prevents accidental disconnection.

4. Meets stringent automotive testing standards for a wide range of applications.

Applications

For in-vehicle data communication, etc.

Product Specifications

Rated Current	1A	Operating Temperature (Note)	-40 to +105°C
Rated Voltage	250V AC		

Items	Specifications	Conditions
Contact Resistance	Signal : 30m Ω Max. Outer : 60m Ω Max.	Measured at 1A DC
Insulation Resistance	100M Ω Min.	Measured at 500V DC
Withstanding Voltage	No insulation breakdown	650V AC for 1 min.
Mating Durability	Contact Resistance : Signal : 60m Ω Max. Outer : 120m Ω Max.	30 Insertion/Extraction cycles

Note : Includes temperature rise due to current flow.

Mating Combinations : GT17H (Single-row)

Color	Mating Key	Plug : Right Angle Straight	Receptacle			In-line Jack
			Right Angle / SMT+THR	Right Angle / THT	Straight / THT	
Light Gray	Standard	GT17H-4S-ASSY GT17H2-4S-ASSY GT17HS-4S-ASSY GT17HSK-4S-ASSY	GT17H-4P-2H(55) GT17HR-4P-2H(55)	GT17H-4P-2DS	GT17H-4P-2DSA	GT17HSP-4P-HU
Brown	A Key	GT17H-4S-ASSY(A) GT17H2-4S-ASSY(A) GT17HS-4S-ASSY(A) GT17HSK-4S-ASSY(A)	GT17H-4P-2H(A) (55)	GT17H-4P-2DS(A)	GT17H-4P-2DSA(A)	GT17HSP-4P-HU(A)
Green	B Key	GT17H-4S-ASSY(B) GT17H2-4S-ASSY(B) GT17HS-4S-ASSY(B) GT17HSK-4S-ASSY(B)	GT17H-4P-2H(B) (55)	—	GT17H-4P-2DSA(B)	—
Blue	C Key	GT17H-4S-ASSY(C) GT17H2-4S-ASSY(C) GT17HS-4S-ASSY(C) GT17HSK-4S-ASSY(C)	GT17H-4P-2H(C) (55)	GT17H-4P-2DS(C)	—	—

THR : Through Hole Reflow

Mating Combinations : GT17HN (Double-row)

Color	Mating Key	Plug : Right Angle Quarter Angle Straight	Receptacle		
			Right Angle / SMT+THR	Right Angle / THT	Straight / THT
Brown	A Key	GT17HN-4DS-ASSY(A) GT17HNN-4DS-ASSY(A) GT17HNS-4DS-ASSY(A) GT17HNS2-4DS-ASSY(A)	GT17HN-4DP-2H(A)(55) GT17HN-4DP-2H(A)(57) GT17HN-4DP-2H(A)(65) GT17HNH-4DP-2H(A)(10) GT17HNL-4DP-2H(A)(55) GT17HNR-4DP-2H(A)(55) GT17HND-4/4DP-2H(AA) (55) GT17HN-4/4DP-2H(AC)(56) GT17HN-4/4DP-2H(AA)(55) GT17HN-4/4DP-2H(BA)(55)	GT17HN-4DP-2DS(A) GT17HN-4DP-4DS(A)(10) GT17HNF-4DP-2DS(A) (55)	GT17HJ-4DP-2DSA(55) GT17HG-4DP-2DSA(A) (55)
Green	B Key	GT17HN-4DS-ASSY(B) GT17HNN-4DS-ASSY(B) GT17HNS-4DS-ASSY(B) GT17HNS2-4DS-ASSY(B)	GT17HN-4DP-2H(B)(55) GT17HN-4DP-2H(B)(57) GT17HN-4DP-2H(B)(66) GT17HNH-4DP-2H(B)(10) GT17HNL-4DP-2H(B)(55) GT17HN-4/4DP-2H(BC)(55) GT17HN-4/4DP-2H(BC)(57) GT17HN-4/4DP-2H(BA)(55)	GT17HN-4DP-2DS(B) GT17HN-4DP-2DS(B)(10)	GT17HG-4DP-2DSA(B) (55)
Blue	C Key	GT17HN-4DS-ASSY(C) GT17HNN-4DS-ASSY(C) GT17HNS-4DS-ASSY(C) GT17HNS2-4DS-ASSY(C)	GT17HN-4DP-2H(C)(55) GT17HN-4DP-2H(C)(57) GT17HN-4DP-2H(C)(58) GT17HNH-4DP-2H(C)(10) GT17HN-4/4DP-2H(BC)(55) GT17HN-4/4DP-2H(AC)(56) GT17HN-4/4DP-2H(BC)(57)	GT17HN-4DP-2DS(C) GT17HN-4DP-2DS(C)(10)	GT17HG-4DP-2DSA(C) (55)
Black	D Key	GT17HN-4DS-ASSY(D) GT17HNN-4DS-ASSY(D) GT17HNS-4DS-ASSY(D) GT17HNS2-4DS-ASSY(D)	GT17HN-4DP-2H(D)(55) GT17HN-4DP-2H(D)(57) GT17HNH-4DP-2H(D)(10)	GT17HN-4DP-2DS(D)(10)	GT17HG-4DP-2DSA(D) (55)

THR : Through Hole Reflow

Feb. 1. 2024 Copyright 2024 HIROSE ELECTRIC CO., LTD. All Rights Reserved.

GT17H-4pos. Right Angle Plug

The product consists of five parts.

(Housing, Insulation Case, Outer Terminal, Retainer and Center Terminal)



● Housing

Part No.	HRS No.	Material	Color	Remarks	Purchase Unit
GT17H-4S-HU	CL0767-0085-9-00	PBT	Dark Gray	-	100pcs per bag
GT17H2-4S-HU	CL0767-0245-3-00			With Lock Guard	

● Insulation Case

Part No.	HRS No.	Material	Color	Mating Key	Purchase Unit
GT17H-4S-2C	CL0767-0084-6-00	PBT	Light Gray	Standard	100pcs per bag
GT17H-4S-2C(A)	CL0767-0167-1-00		Brown	A Key	
GT17H-4S-2C(B)	CL0767-0168-4-00		Green	B Key	
GT17H-4S-2C(C)	CL0767-0169-7-00		Blue	C Key	

● Outer Terminal

Part No.	HRS No.	Material / Finish	Sheath Outer Diameter	Purchase Unit
GT17H-4S-5CF	CL0767-0087-4-00	Copper Alloy / Tin Plating	φ 4.8 to 5.2	100pcs per bag

● Retainer

Part No.	HRS No.	Material	Color	Purchase Unit
GT17H-4S-R	CL0767-0086-1-00	PBT	Dark Gray	100pcs per bag

● Center Terminal

Part No.	HRS No.	Material / Finish	Conductor Size	Insulator Outer Diameter	Purchase Unit
GT8-2428SCF(70)	CL0758-0001-8-70	Phosphor Bronze / Tin Plating	24 to 28 AWG	φ 0.8 to 1.5	10,000pcs per reel

GT17H-4pos. Straight Plug

The product consists of four parts.
(Housing, Insulation Case, Outer Terminal and Center Terminal)



● Housing

Part No.	HRS No.	Material	Color	Remarks	Purchase Unit
GT17HS-4S-HU	CL0767-0133-0-00	PBT	Dark Gray	-	100pcs per bag
GT17HSK-4S-HU	CL0767-0244-0-00			With Lock Guard	

● Insulation Case

Part No.	HRS No.	Material	Color	Mating Key	Purchase Unit
GT17H-4S-2C	CL0767-0084-6-00	PBT	Light Gray	Standard	100pcs per bag
GT17H-4S-2C(A)	CL0767-0167-1-00		Brown	A Key	
GT17H-4S-2C(B)	CL0767-0168-4-00		Green	B Key	
GT17H-4S-2C(C)	CL0767-0169-7-00		Blue	C Key	

● Outer Terminal

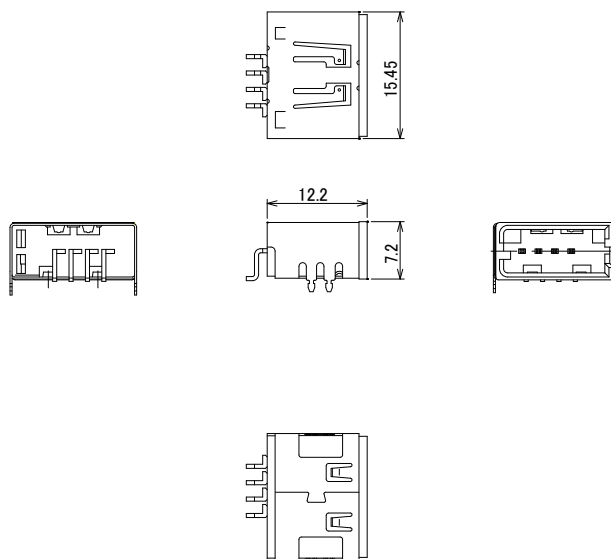
Part No.	HRS No.	Material / Finish	Sheath Outer Diameter	Purchase Unit
GT17HS-4S-5CF	CL0767-0135-5-00	Copper Alloy / Tin Plating	φ 4.8 to 5.2	100pcs per bag

● Center Terminal

Part No.	HRS No.	Material / Finish	Conductor Size	Insulator Outer Diameter	Purchase Unit
GT8-2428SCF(70)	CL0758-0001-8-70	Phosphor Bronze / Tin Plating	24 to 28 AWG	φ 0.8 to 1.5	10,000pcs per reel

GT17H-4pos. Right Angle Receptacle

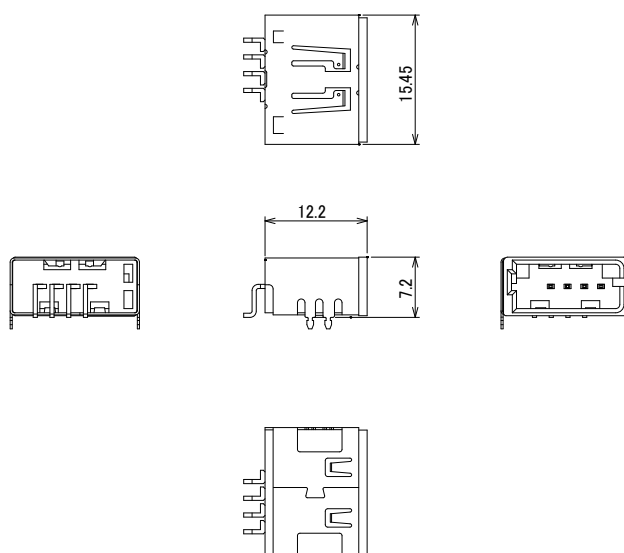
SMT+THR / Right Side Lock



Part No.	HRS No.	Material / Finish	Color	Mating Key	Purchase Unit
GT17H-4P-2H(55)	CL0767-0083-3-55	Housing : PPS Center Terminal : Brass / Tin Plating Outer Terminal : Copper Alloy / Tin Plating	Light Gray	Standard	400pcs per reel
GT17H-4P-2H(A)(55)	CL0767-0170-6-55		Brown	A Key	
GT17H-4P-2H(B)(55)	CL0767-0171-9-55		Green	B Key	
GT17H-4P-2H(C)(55)	CL0767-0172-1-55		Blue	C Key	

THR : Through Hole Reflow

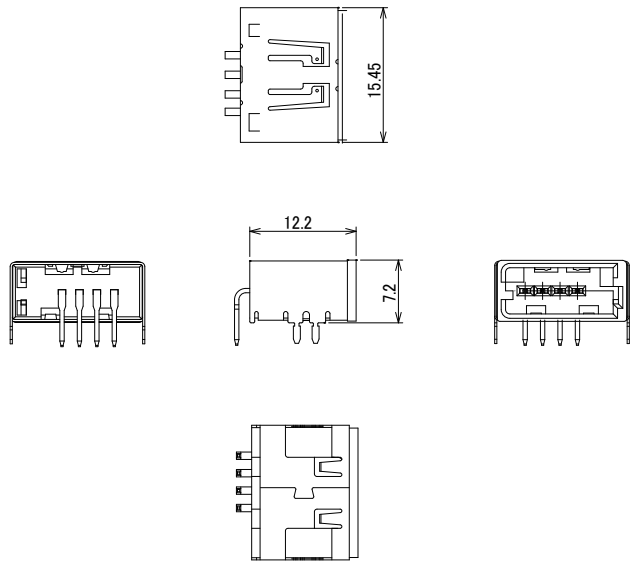
SMT+THR / Left Side Lock



Part No.	HRS No.	Material / Finish	Color	Mating Key	Purchase Unit
GT17HR-4P-2H(55)	CL0767-0146-1-55	Housing : PPS Center Terminal : Brass / Tin Plating Outer Terminal : Copper Alloy / Tin Plating	Light Gray	Standard	400pcs per reel

THR : Through Hole Reflow

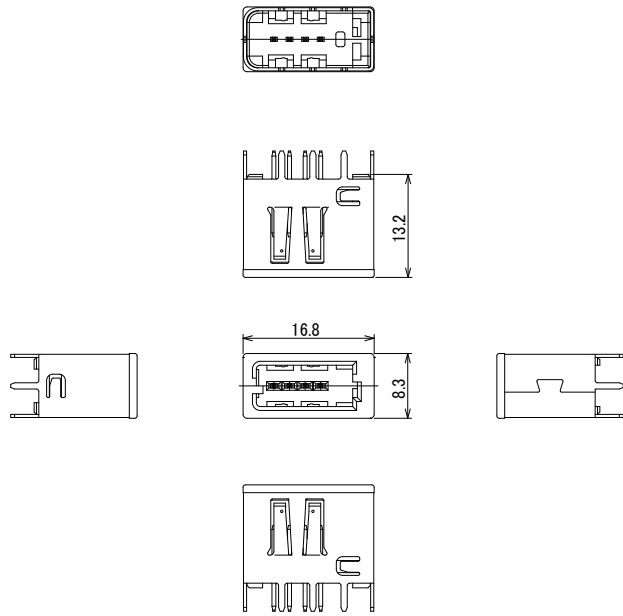
THT Type



Part No.	HRS No.	Material / Finish	Color	Mating Key	Purchase Unit
GT17H-4P-2DS	CL0767-0166-9-00	Housing : PPS Center Terminal : Brass / Tin Plating Outer Terminal : Copper Alloy / Tin Plating	Light Gray	Standard	300pcs per reel
GT17H-4P-2DS(A)	CL0767-0210-9-00		Brown	A Key	
GT17H-4P-2DS(C)	CL0767-0212-4-00		Blue	C Key	

GT17H-4pos. Straight Receptacle

THT Type



Part No.	HRS No.	Material / Finish	Color	Mating Key	Purchase Unit
GT17H-4P-2DSA	CL0767-0181-2-00	Housing : PPS Center Terminal : Brass / Tin Plating Outer Terminal : Copper Alloy / Tin Plating	Light Gray	Standard	80pcs per tray
GT17H-4P-2DSA(A)	CL0767-0182-5-00		Brown	A Key	
GT17H-4P-2DSA(B)	CL0767-0183-8-00		Green	B Key	

Feb. 1. 2024 Copyright 2024 HIROSE ELECTRIC CO., LTD. All Rights Reserved.

GT17H-4pos. In-line Jack

The product consists of six parts.

(Housing, Insulation Case, Outer Terminal, Shield Plate, Retainer and Center Terminal)



● Housing

Part No.	HRS No.	Material	Color	Mating Key	Purchase Unit
GT17HSP-4P-HU	CL0767-0158-0-00	PBT	Light Gray	Standard	100pcs per bag
GT17HSP-4P-HU(A)	CL0767-0192-9-00		Brown	A Key	

● Insulation Case

Part No.	HRS No.	Material	Color	Purchase Unit
GT17HS-4P-2C	CL0767-0155-2-00	PBT	Light Gray	100pcs per bag

● Outer Terminal

Part No.	HRS No.	Material / Finish	Sheath Outer Diameter	Purchase Unit
GT17HS-4P-5CF	CL0767-0156-5-00	Copper Alloy / Tin Plating	φ 4.8 to 5.2	800pcs per reel

● Shield Plate

Part No.	HRS No.	Material / Finish	Purchase Unit
GT17HS-4P-SC	CL0767-0157-8-00	Copper Alloy / Tin Plating	100pcs per bag

● Retainer

Part No.	HRS No.	Material	Color	Purchase Unit
GT17HS-4P-R	CL0767-0159-3-00	PBT	Dark Gray	100pcs per bag

● Center Terminal

Part No.	HRS No.	Material / Finish	Conductor Size	Insulator Outer Diameter	Purchase Unit
GT8E-2428PCF	CL0758-0067-6-00	Phosphor Bronze / Tin Plating	24 to 28 AWG	φ 0.9 to 1.1	10,000pcs per reel

GT17HN-4pos. Right Angle Plug

The product consists of five parts.
 (Housing, Insulation Case, Outer Terminal, Retainer and Center Terminal)



● Housing

Part No.	HRS No.	Material	Color	Purchase Unit
GT17HN-4DS-HU	CL0767-0141-8-00	PBT	Dark Gray	100pcs per bag

● Insulation Case

Part No.	HRS No.	Material	Color	Mating Key	Purchase Unit
GT17HN-4DS-2C(A)	CL0767-0140-5-00	PBT	Brown	A key	100pcs per bag
GT17HN-4DS-2C(B)	CL0767-0147-4-00		Green	B key	
GT17HN-4DS-2C(C)	CL0767-0148-7-00		Blue	C key	
GT17HN-4DS-2C(D)	CL0767-0149-0-00		Black	D key	

● Outer Terminal

Part No.	HRS No.	Material / Finish	Sheath Outer Diameter	Purchase Unit
GT17HN-4DS-5CF	CL0767-0142-0-00	Copper Alloy / Tin Plating	φ 4.8 to 5.2	100pcs per bag

● Retainer

Part No.	HRS No.	Material	Color	Purchase Unit
GT17HN-4DS-R	CL0767-0143-3-00	PBT	Dark Gray	100pcs per bag

● Center Terminal

Part No.	HRS No.	Material / Finish	Conductor Size	Insulator Outer Diameter	Purchase Unit
GT8-2428SCF(70)	CL0758-0001-8-70	Phosphor Bronze / Tin Plating	24 to 28 AWG	φ 0.8 to 1.5	10,000pcs per reel

GT17HN-4pos. Quarter Angle Plug

The product consists of five parts.

(Housing, Insulation Case, Outer Terminal, Retainer and Center Terminal)

With Lock Guard



● Housing

Part No.	HRS No.	Material	Color	Purchase Unit
GT17HNN-4DS-HU	CL0767-0187-9-00	PBT	Dark Gray	100pcs per bag

● Insulation Case

Part No.	HRS No.	Material	Color	Mating Key	Purchase Unit
GT17HN-4DS-2C(A)	CL0767-0140-5-00	PBT	Brown	A Key	100pcs per bag
GT17HN-4DS-2C(B)	CL0767-0147-4-00		Green	B Key	
GT17HN-4DS-2C(C)	CL0767-0148-7-00		Blue	C Key	
GT17HN-4DS-2C(D)	CL0767-0149-0-00		Black	D Key	

● Outer Terminal

Part No.	HRS No.	Material / Finish	Sheath Outer Diameter	Purchase Unit
GT17HNN-4DS-5CF	CL0767-0189-4-00	Copper Alloy / Tin Plating	φ 4.8 to 5.2	100pcs per bag

● Retainer

Part No.	HRS No.	Material	Color	Purchase Unit
GT17HNN-4DS-R	CL0767-0188-1-00	PBT	Dark Gray	100pcs per bag

● Center Terminal

Part No.	HRS No.	Material / Finish	Conductor Size	Insulator Outer Diameter	Purchase Unit
GT8-2428SCF(70)	CL0758-0001-8-70	Phosphor Bronze / Tin Plating	24 to 28 AWG	φ 0.8 to 1.5	10,000pcs per reel

GT17HN-4pos. Straight Plug

The product consists of four parts.
(Housing, Insulation Case, Outer Terminal and Center Terminal)



● Housing

Part No.	HRS No.	Material	Color	Purchase Unit
GT17HNS-4DS-HU	CL0767-0150-9-00	PBT	Dark Gray	100pcs per bag

● Insulation Case

Part No.	HRS No.	Material	Color	Mating Key	Purchase Unit
GT17HN-4DS-2C(A)	CL0767-0140-5-00	PBT	Brown	A Key	100pcs per bag
GT17HN-4DS-2C(B)	CL0767-0147-4-00		Green	B Key	
GT17HN-4DS-2C(C)	CL0767-0148-7-00		Blue	C Key	
GT17HN-4DS-2C(D)	CL0767-0149-0-00		Black	D Key	

● Outer Terminal

Part No.	HRS No.	Material / Finish	Sheath Outer Diameter	Purchase Unit
GT17HNS-4DS-5CF	CL0767-0151-1-00	Copper Alloy / Tin Plating	φ 4.8 to 5.2	100pcs per bag

● Center Terminal

Part No.	HRS No.	Material / Finish	Conductor Size	Insulator Outer Diameter	Purchase Unit
GT8-2428SCF(70)	CL0758-0001-8-70	Phosphor Bronze / Tin Plating	24 to 28 AWG	φ 0.8 to 1.5	10,000pcs per reel

With Lock Guard

The product consists of four parts.

(Housing, Insulation Case, Outer Terminal and Center Terminal)



● Housing

Part No.	HRS No.	Material	Color	Purchase Unit
GT17HNS2-4DS-HU	CL0767-0190-3-00	PBT	Dark Gray	100pcs per bag

● Insulation Case

Part No.	HRS No.	Material	Color	Mating Key	Purchase Unit
GT17HN-4DS-2C(A)	CL0767-0140-5-00	PBT	Brown	A Key	100pcs per bag
GT17HN-4DS-2C(B)	CL0767-0147-4-00		Green	B Key	
GT17HN-4DS-2C(C)	CL0767-0148-7-00		Blue	C Key	
GT17HN-4DS-2C(D)	CL0767-0149-0-00		Black	D Key	

● Outer Terminal

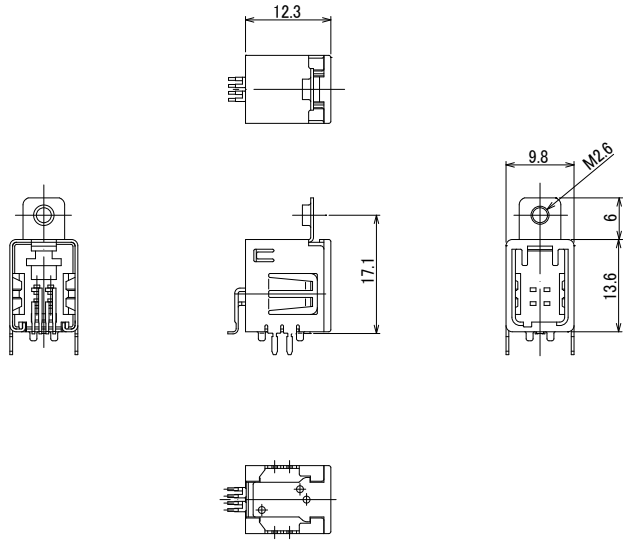
Part No.	HRS No.	Material / Finish	Sheath Outer Diameter	Purchase Unit
GT17HNS-4DS-5CF	CL0767-0151-1-00	Copper Alloy / Tin Plating	φ 4.8 to 5.2	100pcs per bag

● Center Terminal

Part No.	HRS No.	Material / Finish	Conductor Size	Insulator Outer Diameter	Purchase Unit
GT8-2428SCF(70)	CL0758-0001-8-70	Phosphor Bronze / Tin Plating	24 to 28 AWG	φ 0.8 to 1.5	10,000pcs per reel

GT17HN-4pos. Right Angle Receptacle

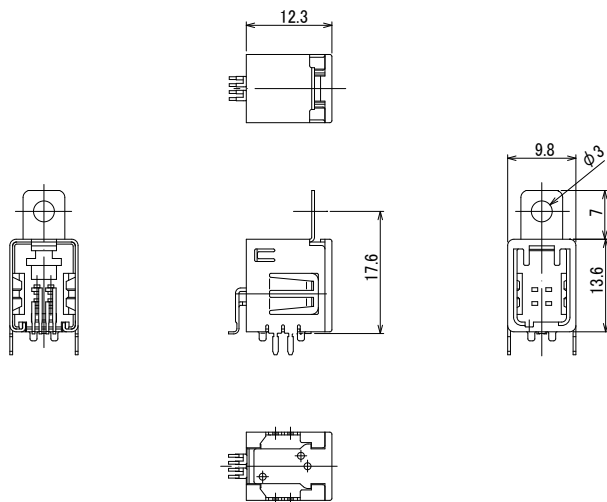
SMT+THR / M2.6 Screw Flange Mount Design



Part No.	HRS No.	Material / Finish	Color	Mating Key	Purchase Unit
GT17HN-4DP-2H(A)(55)	CL0767-0144-6-55	Housing : PPS Center Terminal : Brass / Tin Plating Outer Terminal : Copper Alloy / Tin Plating	Brown	A Key	60pcs per tray
GT17HN-4DP-2H(B)(55)	CL0767-0175-0-55		Green	B Key	
GT17HN-4DP-2H(C)(55)	CL0767-0176-2-55		Blue	C Key	
GT17HN-4DP-2H(D)(55)	CL0767-0276-7-55		Black	D Key	

THR : Through Hole Reflow

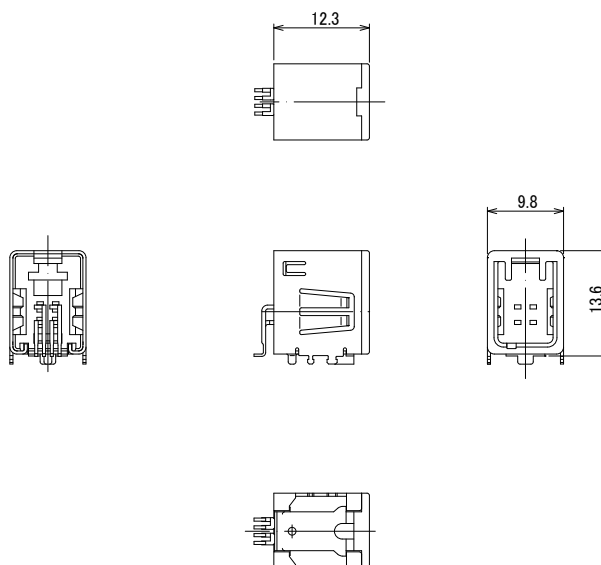
SMT+THR / $\phi 3$ Flange Mount Design



Part No.	HRS No.	Material / Finish	Color	Mating Key	Purchase Unit
GT17HN-4DP-2H(A)(57)	CL0767-0144-6-57	Housing : PPS Center Terminal : Brass / Tin Plating Outer Terminal : Copper Alloy / Tin Plating	Brown	A Key	60pcs per tray
GT17HN-4DP-2H(B)(57)	CL0767-0175-0-57		Green	B Key	
GT17HN-4DP-2H(C)(57)	CL0767-0176-2-57		Blue	C Key	

THR : Through Hole Reflow

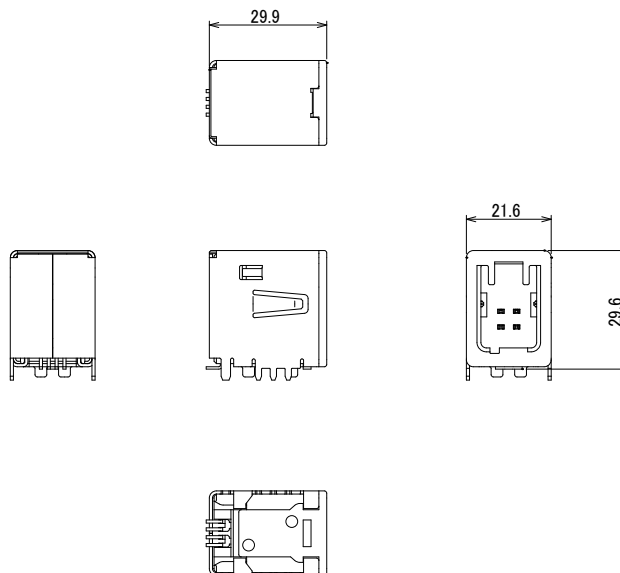
SMT+THR / Non-Flanged Design



Part No.	HRS No.	Material / Finish	Color	Mating Key	Purchase Unit
GT17HN-4DP-2H(A)(65)	CL0767-0144-6-65	Housing : PPS Center Terminal : Brass / Tin Plating Outer Terminal : Copper Alloy / Tin Plating	Brown	A Key	300pcs per reel
GT17HN-4DP-2H(B)(66)	CL0767-0175-0-66		Green	B Key	
GT17HN-4DP-2H(C)(58)	CL0767-0176-2-58		Blue	C Key	
GT17HN-4DP-2H(D)(57)	CL0767-0276-7-57		Black	D Key	

THR : Through Hole Reflow

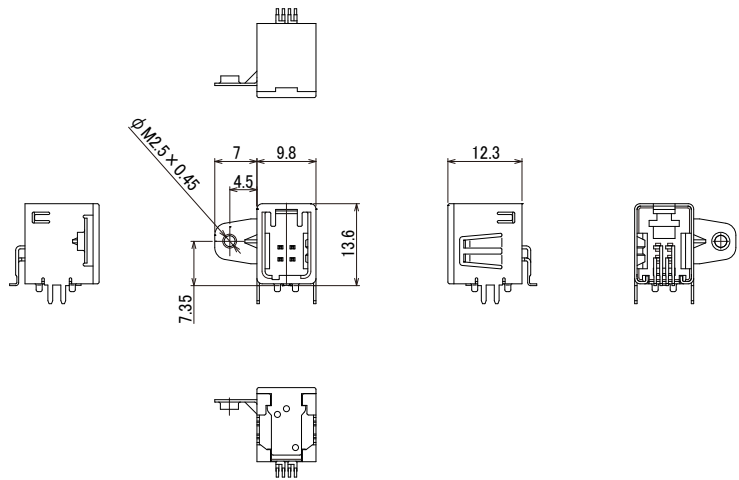
SMT+THR / Enhanced Prying Resistance Type



Part No.	HRS No.	Material / Finish	Color	Mating Key	Purchase Unit
GT17HNH-4DP-2H(A)(10)	CL0767-0312-9-10	Housing : PPS Center Terminal : Brass / Tin Plating Outer Terminal : Copper Alloy / Tin Plating	Brown	A Key	230pcs per reel
GT17HNH-4DP-2H(B)(10)	CL0767-0339-5-10		Green	B Key	
GT17HNH-4DP-2H(C)(10)	CL0767-0340-4-10		Blue	C Key	
GT17HNH-4DP-2H(D)(10)	CL0767-0341-7-10		Black	D Key	

THR : Through Hole Reflow

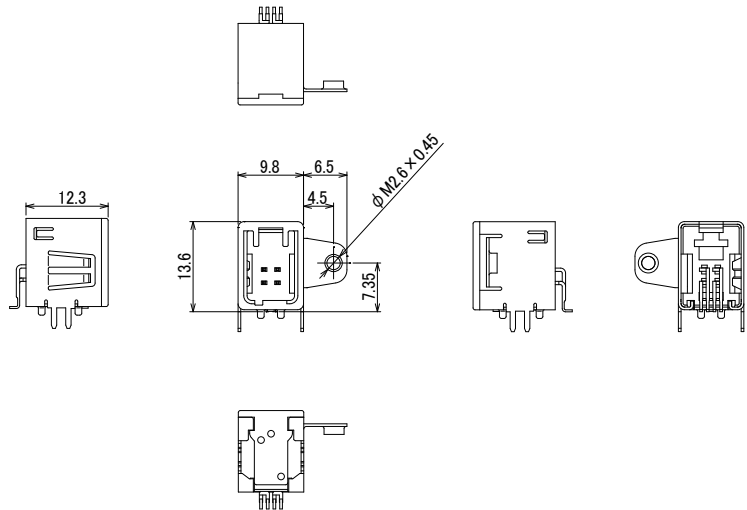
SMT+THR / M2.5 Screw Left Flange Mount Design



Part No.	HRS No.	Material / Finish	Color	Mating Key	Purchase Unit
GT17HNL-4DP-2H(A)(55)	CL0767-0229-7-55	Housing : PPS	Brown	A Key	40pcs per tray
GT17HNL-4DP-2H(B)(55)	CL0767-0237-5-55	Center Terminal : Brass / Tin Plating Outer Terminal : Copper Alloy / Tin Plating	Green	B Key	

THR : Through Hole Reflow

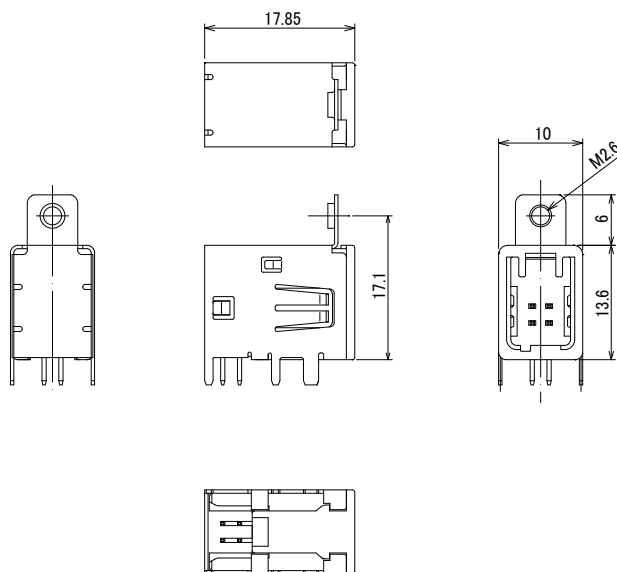
SMT+THR / M2.6 Screw Right Flange Mount Design



Part No.	HRS No.	Material / Finish	Color	Mating Key	Purchase Unit
GT17HNR-4DP-2H(A)(55)	CL0767-0230-6-55	Housing : PPS Center Terminal : Brass / Tin Plating Outer Terminal : Copper Alloy / Tin Plating	Brown	A Key	40pcs per tray

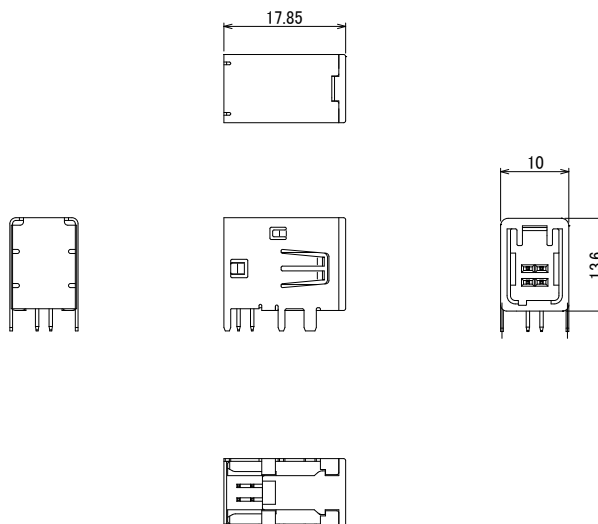
THR : Through Hole Reflow

THT / M2.6 Screw Flange Mount Design



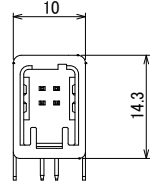
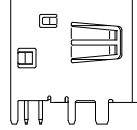
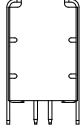
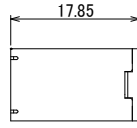
Part No.	HRS No.	Material / Finish	Color	Mating Key	Purchase Unit
GT17HN-4DP-2DS(A)	CL0767-0213-7-00	Housing : PBT Center Terminal : Brass / Tin Plating Outer Terminal : Copper Alloy / Tin Plating	Brown	A Key	65pcs per tray
GT17HN-4DP-2DS(B)	CL0767-0266-3-00		Green	B Key	
GT17HN-4DP-2DS(C)	CL0767-0265-0-00		Blue	C Key	

THT / Non-Flanged Design



Part No.	HRS No.	Material / Finish	Color	Mating Key	Purchase Unit
GT17HN-4DP-2DS(A)(10)	CL0767-0213-7-10	Housing : PBT Center Terminal : Brass / Tin Plating Outer Terminal : Copper Alloy / Tin Plating	Brown	A Key	65pcs per tray
GT17HN-4DP-2DS(B)(10)	CL0767-0266-3-10		Green	B Key	
GT17HN-4DP-2DS(C)(10)	CL0767-0265-0-10		Blue	C Key	
GT17HN-4DP-2DS(D)(10)	CL0767-0343-0-10		Black	D Key	

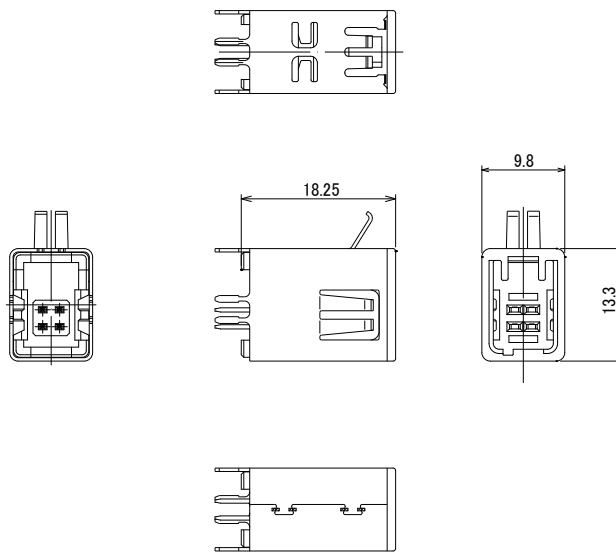
THT / Cable Egress Facing Upward



Part No.	HRS No.	Material / Finish	Color	Mating Key	Purchase Unit
GT17HNF-4DP-2DS(A)(55)	CL0767-0236-2-55	Housing : PBT Center Terminal : Brass / Tin Plating Outer Terminal : Copper Alloy / Tin Plating	Brown	A Key	65pcs per tray

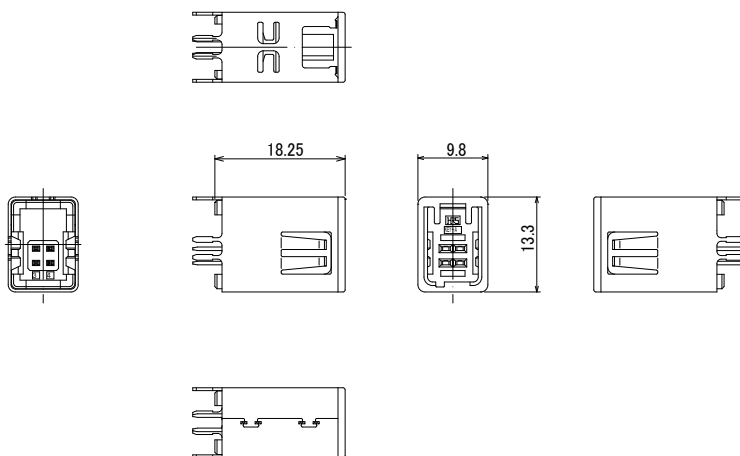
GT17HN-4pos. Straight Receptacle

THT Type



Part No.	HRS No.	Material / Finish	Color	Mating Key	Purchase Unit
GT17HJ-4DP-2DSA(55)	CL0767-0160-2-55	Housing : PPS Center Terminal : Brass / Tin Plating Outer Terminal : Copper Alloy / Tin Plating	Brown	A Key	65pcs per tray

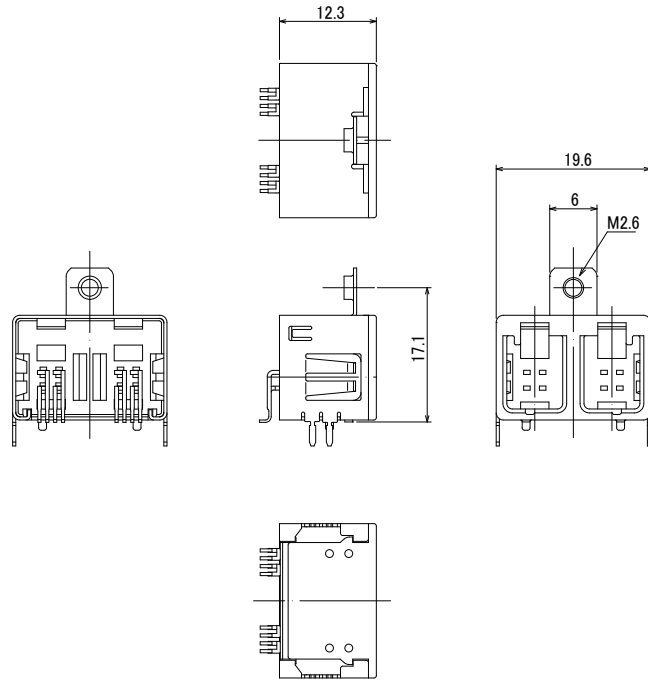
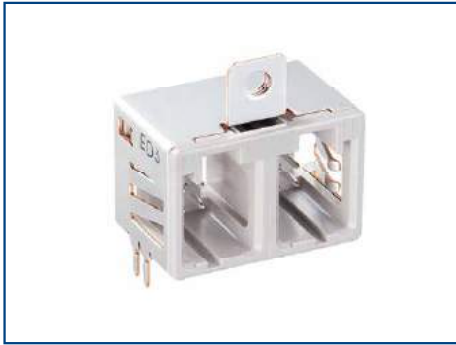
THT Type



Part No.	HRS No.	Material / Finish	Color	Mating Key	Purchase Unit
GT17HG-4DP-2DSA(A)(55)	CL0767-0314-4-55	Housing : PPS Center Terminal : Brass / Tin Plating Outer Terminal : Copper Alloy / Tin Plating	Brown	A Key	65pcs per tray
GT17HG-4DP-2DSA(B)(55)	CL0767-0315-7-55		Green	B Key	
GT17HG-4DP-2DSA(C)(55)	CL0767-0316-0-55		Blue	C Key	
GT17HG-4DP-2DSA(D)(55)	CL0767-0317-2-55		Black	D Key	

GT17HN-4/4pos. Right Angle Receptacle

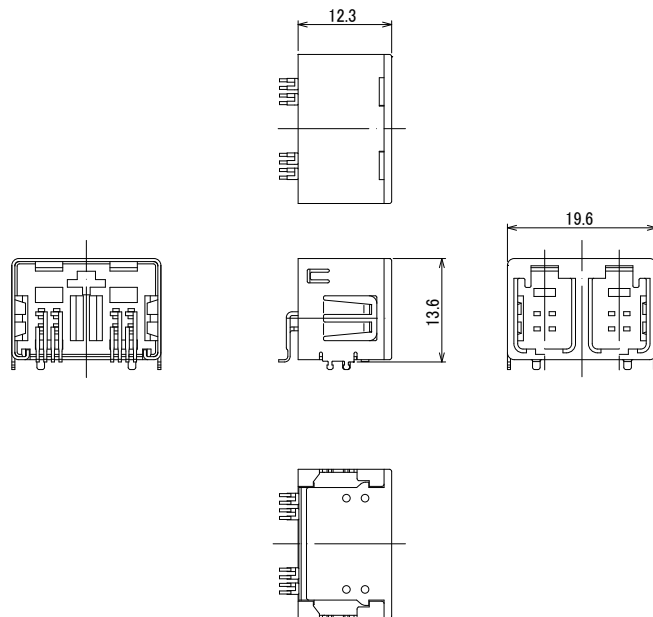
SMT+THR / M2.6 Screw Flange Mount Design



Part No.	HRS No.	Material / Finish	Color	Mating Key	Purchase Unit
GT17HN-4/4DP-2H(BC)(55)	CL0767-0145-9-55	Housing : PPS Center Terminal : Brass / Tin Plating	Light Gray	B Key, C Key	40pcs per tray
GT17HND-4/4DP-2H(AA)(55)	CL0767-0327-6-55	Outer Terminal : Copper Alloy / Tin Plating	Brown	A Key, A Key	

THR : Through Hole Reflow

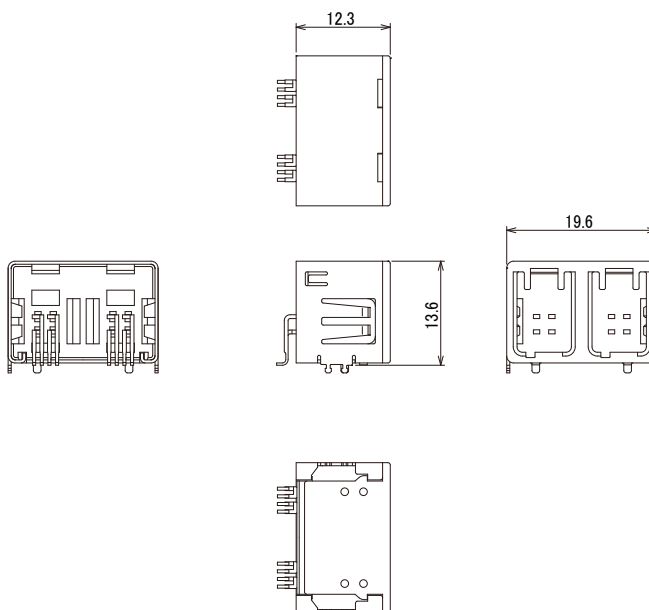
SMT+THR / Non-Flanged Design



Part No.	HRS No.	Material / Finish	Color	Mating Key	Purchase Unit
GT17HN-4/4DP-2H(AC)(56)	CL0767-0015-0-56	Housing : PPS Center Terminal : Brass / Tin Plating	Light Gray	A Key, C Key	200pcs per reel
GT17HN-4/4DP-2H(BC)(57)	CL0767-0145-9-57	Outer Terminal : Copper Alloy / Tin Plating		B Key, C Key	

THR : Through Hole Reflow

SMT+THR / Non-Flanged Design



Part No.	HRS No.	Material / Finish	Color	Mating Key	Purchase Unit
GT17HN-4/4DP-2H(AA)(55)	CL0767-0246-6-55	Housing : PPS	Brown	A Key, A Key	48pcs per tray
GT17HN-4/4DP-2H(BA)(55)	CL0767-0318-5-55	Center Terminal : Brass / Tin Plating Outer Terminal : Copper Alloy / Tin Plating	Light Gray	B Key, A Key	

THR : Through Hole Reflow

GT17HN-16pos. Straight Plug

The product consists of four parts.
(Housing, Insulation Case, Outer Terminal and Center Terminal)



● Housing

Part No.	HRS No.	Material	Color	Purchase Unit
GT17HNS-16DS-HU	CL0767-0164-3-00	PBT	Dark Gray	100pcs per bag

● Insulation Case

Part No.	HRS No.	Material	Color	Purchase Unit
GT17HN-16DS-2C	CL0767-0162-8-00	PBT	Light Gray	100pcs per bag

● Outer Terminal

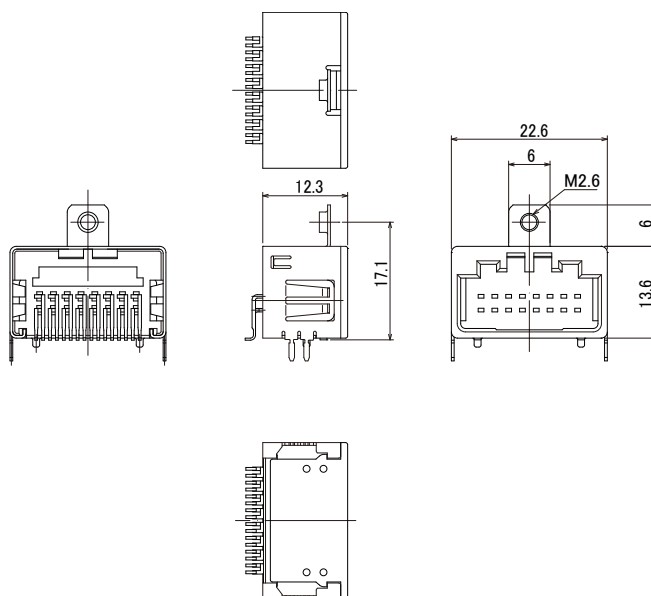
Part No.	HRS No.	Material / Finish	Sheath Outer Diameter	Purchase Unit
GT17HNS-16DS-8CF	CL0767-0165-6-00	Copper Alloy / Tin Plating	φ 7.8 to 8.2	100pcs per bag

● Center Terminal

Part No.	HRS No.	Material / Finish	Conductor Size	Insulator Outer Diameter	Purchase Unit
GT8-2428SCF(70)	CL0758-0001-8-70	Phosphor Bronze / Tin Plating	24 to 28 AWG	φ 0.8 to 1.5	10,000pcs per reel

GT17HN-16pos. Right Angle Receptacle

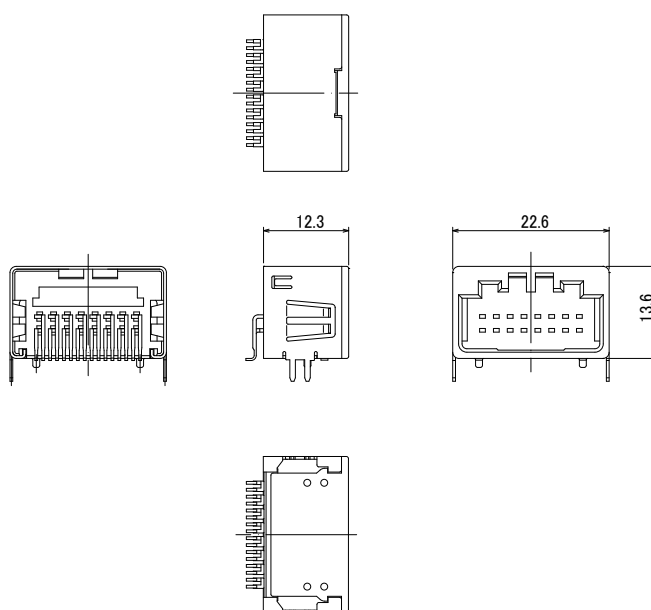
SMT+THR / M2.6 Screw Flange Mount Design



Part No.	HRS No.	Material / Finish	Color	Purchase Unit
GT17HN-16DP-2H(55)	CL0767-0153-7-55	Housing : PPS Center Terminal : Brass / Tin Plating Outer Terminal : Copper Alloy / Tin Plating	Light Gray	40pcs per tray

THR : Through Hole Reflow

SMT+THR / Non-Flanged Design



Part No.	HRS No.	Material / Finish	Color	Purchase Unit
GT17HN-16DP-2H(56)	CL0767-0153-7-56	Housing : PPS Center Terminal : Brass / Tin Plating Outer Terminal : Copper Alloy / Tin Plating	Light Gray	200pcs per reel

THR : Through Hole Reflow

Crimping Tools

Please ask your Hirose Electric representative for a user manual.

Automatic Crimping Machine



Product number CM-105C

Note 1 : Photo for reference only. Subject to change.

Note 2 : Please refer to the table below for applicator part numbers.

Specifications

Item	Specifications	Remarks
Press Capacity	1.5ton	-
Stroke Length	30mm	-
Number of Strokes	200spm (50Hz)	240spm (60Hz)
Weight	75kg	-
Motor	0.2kw	100V AC
Crimping Speed	2,000 to 4,000pcs/H	-

Applicator (for Mounting to Automatic Crimping Machines)

Terminal Part No.	Terminal HRS No.	Applicator Part No.	Applicator HRS No.
GT8-2428SCF(70)	CL0758-0001-8-70	AP105-GT8-2428S	CL0901-5174-9-00
GT8E-2428PCF	CL0758-0067-6-00	AP105-GT8E-2428P	CL0901-5192-0-00

Note 1 : Different contact crimp heights are available for different cable types.

Please contact your Hirose Electric account representative for details.

Other cables will require different crimp height settings. Please note that this may take a few days.

Note 2 : When purchasing HRS equipment, please contact your Hirose Electric account representative to confirm that the cable that you plan to use for the applicable terminal has been evaluated.

Note 3 : The applicators and tools listed here may not be applicable depending on the specifications of the cable you use.

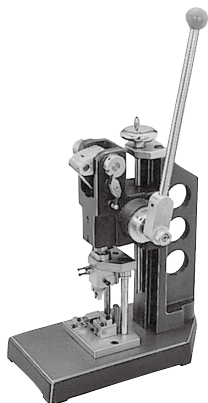
Special Terminal Insertion Tool for GT17H-4S-2C

Terminal Part No.	Terminal HRS No.	Applicator Part No.	Applicator HRS No.
GT8-2428SCF(70)	CL0758-0001-8-70	GT17-4S/PR-MD	CL0902-5109-3-00

Note : This tool is used only for inserting the GT8-2428SCF(70) terminal into insulation case GT17H-4S-2C.

Please note that this tool cannot be used for other terminals or insulation cases.

Hand Press



Product number HOS-7

Outer Terminal Caulking Tool (for Mounting Hand Press)

Terminal Part No.	Terminal HRS No.	Outer Terminal Caulking Tool Part No.	Outer Terminal Caulking Tool HRS No.
GT17H-4S-5CF	CL0767-0087-4-00	GT17H-4S-5CF/CR-MP	CL0902-5100-9-00
		GT17H-4S-5CF/CR-MP(01)	CL0902-5100-9-01
GT17HS-4S-5CF	CL0767-0135-5-00	GT17H-4S-5CF/CR-MP	CL0902-5100-9-00
		GT17H-4S-5CF/CR-MP(01)	CL0902-5100-9-01
GT17HS-4P-5CF	CL0767-0156-5-00	GT17HS-4P-5CF/CR-MP	CL0902-5108-0-00
		GT17HS-4P-5CF/CR-MP(01)	CL0902-5108-0-01
GT17HN-4DS-5CF	CL0767-0142-0-00	GT17HNS-4DS-5/CR-MP	CL0902-5103-7-00
		GT17HNS-4DS-5/CR-MP(01)	CL0902-5103-7-01
GT17HNN-4DS-5CF	CL0767-0189-4-00	GT17HNN-4DS-5/CR-MP	CL0902-5147-0-00
		GT17HNN-4DS-5/CR-MP(01)	CL0902-5147-0-01
GT17HNS-4DS-5CF	CL0767-0151-1-00	GT17HNS-4DS-5/CR-MP	CL0902-5103-7-00
		GT17HNS-4DS-5/CR-MP(01)	CL0902-5103-7-01
GT17HNS-16DS-8CF	CL0767-0165-6-00	GT17HNS-16DS-8/CR-MP	CL0902-5102-4-00
		GT17HNS-16DS-8/CR-MP(01)	CL0902-5102-4-01

Note 1 : The outer shell caulking tool with (01) specifications is sold as a bundle with the HOS-7 hand press.

Note 2 : Different contact crimp heights are available for different cable types.

Please contact your Hirose Electric account representative for details.

Please note that we will need to define new crimp heights for novel cables and this may take a few days.

Note 3 : When purchasing HRS equipment, please contact your Hirose Electric account representative to confirm that the cable that you plan to use for the applicable terminal has been evaluated.

Note 4 : The applicators and tools listed here may not be applicable depending on the specifications of the cable you use.

While Taking into Consideration

Specifications mentioned in this catalog are reference values.

When considering to order or use this product, please review the Drawing and Product Specifications sheets.

Use an appropriate cable when using the connector in combination with cables.

If considering usage of a non-specified cable, please contact your sales representative.



If assembly process is done by jigs & tools which are not identified by Hirose, the warranty of the product may be affected.

If considering usage for below mentioned applications, please contact your sales representative.

In cases where the application will demand a high level of reliability, such as automotive, medical instruments, public infrastructure, aerospace/defense etc. Hirose must review before assurance of reliability can be given.

Looking for pricing, stock, or lifecycle information?

Click below to explore more details on WIN SOURCE:

-  [View GT17W-1P/S-R on WIN SOURCE](#)
-  [Hirose Electric Co Ltd Information](#)

Optimize Your Supply Chain with WIN SOURCE Solutions

-  Global Sourcing Solution
-  Obsolete Management
-  Cost Control Management
-  Shortage Management
-  Alternative Solution
-  Excess Inventory Management