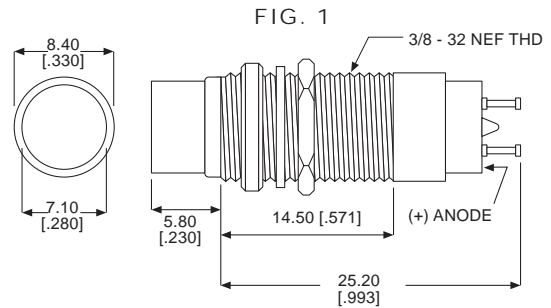


249 SERIES FOR 3/8" MOUNTING HOLE • CYLINDRICAL CAP

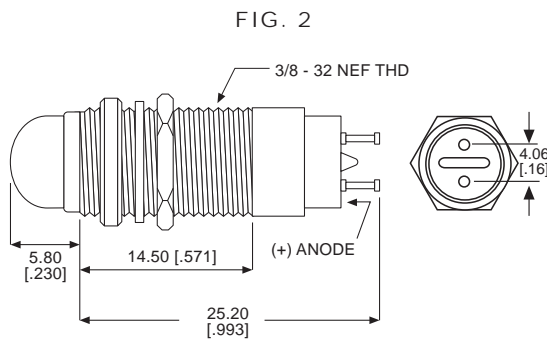
PART NO.	COLOR	V _F	mA	mcd†	FIG.
249-4162-3334-504	Blue	3	10	120	1
249-7867-3331-504	Red	3.6	20	30	1
249-7967-3332-504	Green	3.6	20	40	1
249-8067-3333-504	Yellow	3.6	20	40	1
249-4164-3334-504	Blue	5	10	120	1
249-7868-3331-504	Red	5	20	30	1
249-7968-3332-504	Green	5	20	40	1
249-8068-3333-504	Yellow	5	20	40	1
249-4166-3334-504	Blue	10	10	120	1
249-7870-3331-504	Red	10	20	30	1
249-7970-3332-504	Green	10	20	40	1
249-8070-3333-504	Yellow	10	20	40	1
249-4167-3334-504	Blue	14	10	120	1
249-7871-3331-504	Red	14	20	30	1
249-7971-3332-504	Green	14	20	40	1
249-8071-3333-504	Yellow	14	20	40	1
249-4168-3334-504	Blue	28	10	120	1
249-7872-3331-504	Red	28	20	30	1
249-7972-3332-504	Green	28	20	40	1
249-8072-3333-504	Yellow	28	20	40	1



† mcd intensity of LED

Material & Finish: Housing, Cartridge and Holder - Black Anodized Aluminum. Cap -High Impact Plastic

249 SERIES FOR 3/8" MOUNTING HOLE • STOVEPIPE CAP



PART NO.	COLOR	V _F	mA	mcd†	FIG.
249-4162-3734-504	Blue	3	10	400	2
249-7867-3731-504	Red	3.6	20	30	2
249-7967-3732-504	Green	3.6	20	40	2
249-8067-3733-504	Yellow	3.6	20	40	2
249-4164-3734-504	Blue	5	10	400	2
249-7868-3731-504	Red	5	20	30	2
249-7968-3732-504	Green	5	20	40	2
249-8068-3733-504	Yellow	5	20	40	2
249-4166-3734-504	Blue	10	10	400	2
249-7870-3731-504	Red	10	20	30	2
249-7970-3732-504	Green	10	20	40	2
249-8070-3733-504	Yellow	10	20	40	2
249-4167-3734-504	Blue	14	10	400	2
249-7871-3731-504	Red	14	20	30	2
249-7971-3732-504	Green	14	20	40	2
249-8071-3733-504	Yellow	14	20	40	2
249-4168-3734-504	Blue	28	10	400	2
249-7872-3731-504	Red	28	20	30	2
249-7972-3732-504	Green	28	20	40	2
249-8072-3733-504	Yellow	28	20	40	2

† mcd intensity of LED

Material & Finish: Housing, Cartridge and Holder - Black Anodized Aluminum. Cap -High Impact Plastic

Dimensions in mm [inches]

Looking for pricing, stock, or lifecycle information?

Click below to explore more details on WIN SOURCE:

 [View 24979673332504F](#) on WIN SOURCE

 [Dialight](#) Information

Optimize Your Supply Chain with WIN SOURCE Solutions

-  Global Sourcing Solution
-  Obsolete Management
-  Cost Control Management
-  Shortage Management
-  Alternative Solution
-  Excess Inventory Management