

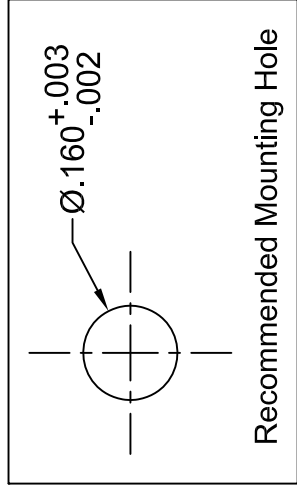
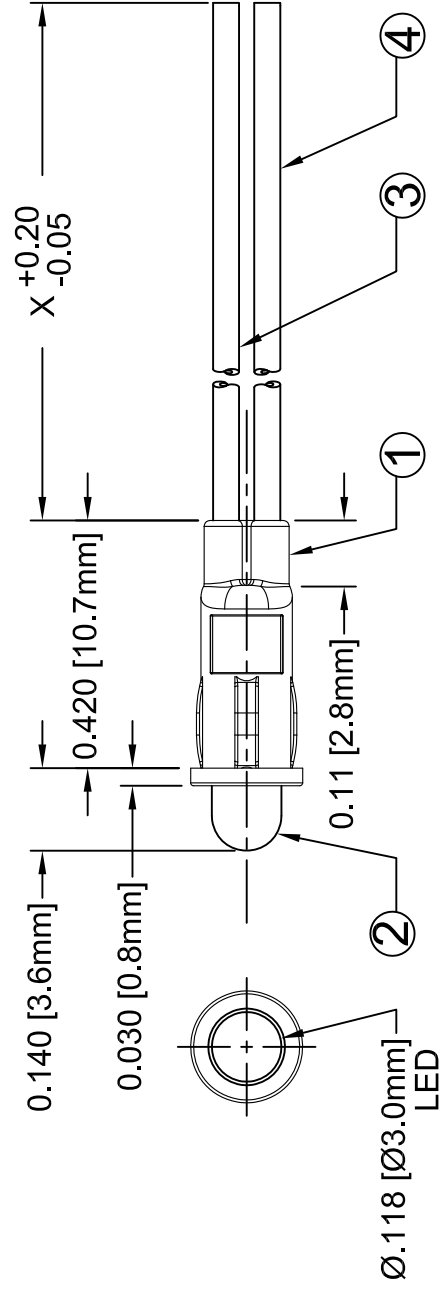


**THE DATASHEET OF
PM3GDLW19.0-NS**

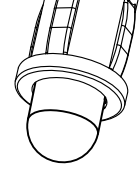


REV.	DE
A	Engineering Release
B	Updated Model to Non
C	Added -S to 3XXDL in

ITEM	Q'TY	PART NUMBER	PART DESCRIPTION
1	1	PM3	LED Holder, Panel Mount, Press Fit, (3mm)
2	1	3XXDL-S	T-1 (3mm) Non-Flange Low Current LED, See Page 2.
3	1	BWS24-1061-RD	24AWG Wire Lead U.L., 1061, Red
4	1	BWS24-1061-BK	24AWG Wire Lead U.L., 1061, Black



EXAMPLE:
PM3RDLW6.5-NS
 Non-Stripped Wires
 Wire Length "X.X"
 Low Current.
 LED Color & Lens Appearance.
 Series



ABSOLUTE MAXIMUM RATINGS (Ta = 25°C)

REVERSE VOLTAGE _____ 5V
 REVERSE CURRENT (VR=5V) _____ 100µA
 OPERATING TEMPERATURE RANGE _____ -25°C ~ 85°C
 STORAGE TEMPERATURE _____ -30°C ~ 100°C
 LEAD SOLDERING TEMPERATURE (1/16" FROM BODY) _____ 260°C for 5 Seconds

STANDARD TOLERANCES (UNLESS OTHERWISE SPECIFIED)	
DECIMALS	±.1
.XX	±.02
.XXX	±.010
ANGULAR	X° ±
DESIGNED BY:	David Green
CHECKED BY:	T. Yin
DATE:	06/14
DATE:	06/14

REV.	DE
	SEE SHEET#1.

ASSEMBLY PART NO.	LED Part No.	Chip			Lens Appearance	Absolute Max. Ratings			Elect
		Material	Peak Wave Length λ_p (nm)	Emitted Color		$\Delta\lambda$ (nm)	Pd (mW)	If (mA)	
PM3BWDLWX.X-NS	3BWDL-S	GaN/SiC	430	BLUE	DIFFUSED	10	5	3.5	
PM3GDLWX.X-NS	3GDL-S	GaP/GaP	565	GREEN	DIFFUSED	10	5	1.9	
PM3PGDLWX.X-NS	3PGDL-S	GaP/GaP	585	PURE GREEN	DIFFUSED	10	5	1.9	
PM3YDLWX.X-NS	3YDL-S	GaAsP/GaP	585	YELLOW	DIFFUSED	10	5	1.9	
PM3ADLWX.X-NS	3ADL-S	GaAsP/GaP	610	AMBER	DIFFUSED	10	5	1.9	
PM3HDLWX.X-NS	3HDL-S	GaAsP/GaP	635	HE RED	DIFFUSED	10	5	1.8	
PM3RDLWX.X-NS	3RDL-S	GaAsP/GaAs	655	RED	DIFFUSED	10	5	1.9	

STANDARD TOLERANC
(UNLESS OTHERWISE SPECIF
±10% ALL VALUES

ANGUL
X° ±



DATE:

DESIGNED:
David Green

DATE:

CHECKED:
T. Yin


DATE:

06/14

06/14

Looking for pricing, stock, or lifecycle information?

Click below to explore more details on WIN SOURCE:

 [View PM3GDLW19.0-NS on WIN SOURCE](#)

 [Bivar Inc. Information](#)

Optimize Your Supply Chain with WIN SOURCE Solutions

-  Global Sourcing Solution
-  Obsolete Management
-  Cost Control Management
-  Shortage Management
-  Alternative Solution
-  Excess Inventory Management