



**THE DATASHEET OF
PK-20N38WQ**



Sales Outline Drawing

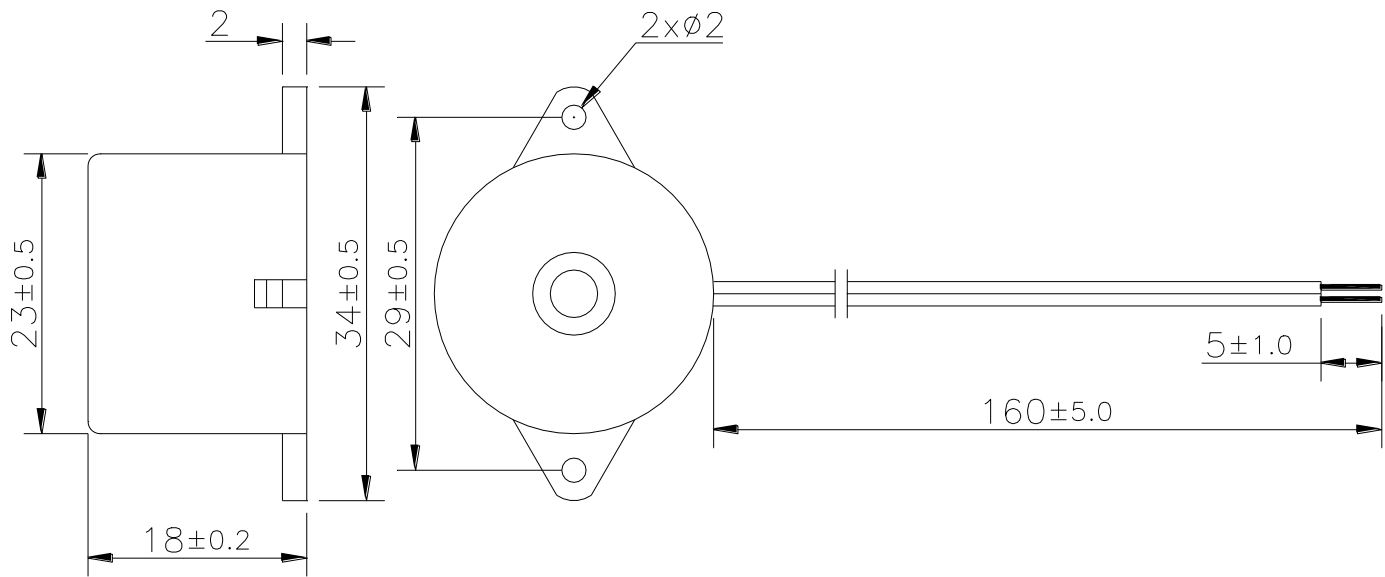
May not be suitable for all medical and aerospace applications.

Specifications: Contact Mallory Sonalert to discuss your application.

Oscillation Frequency (Hz)	3800 ± 500
Operating Voltage (Vdc)	3 ~ 28
Rated Voltage (Vdc)	12
Current Consumption (mA/max)	12 at Rated Voltage
Sound Pressure Level (dB/min)	85 at 30cm at Rated Voltage
Tone/Pulse Rate (Hz0)	Constant
Operating Temperature (°C)	-20 ~ +70
Storage Temperature (°C)	-30 ~ +80
Housing	ABS 757 UL94HB plastic resin (Color: Black)
Lead Wires	28 AWG
Weight (Grams)	4.2
Condition by hand soldering (°C)	350 ±20 / within 5 sec
Options	For other options contact factory



RoHS Compliant

Dimensions: (units: mm)



Looking for pricing, stock, or lifecycle information?

Click below to explore more details on WIN SOURCE:

-  [View PK-20N38WQ on WIN SOURCE](#)
-  [Mallory Sonalert Products Inc. Information](#)

Optimize Your Supply Chain with WIN SOURCE Solutions

-  Global Sourcing Solution
-  Obsolete Management
-  Cost Control Management
-  Shortage Management
-  Alternative Solution
-  Excess Inventory Management