



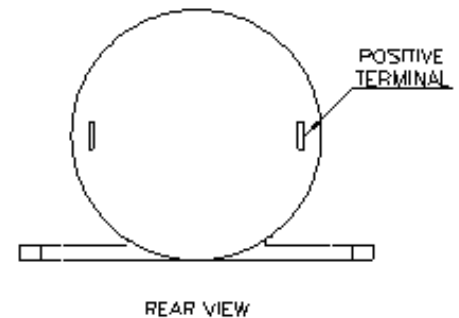
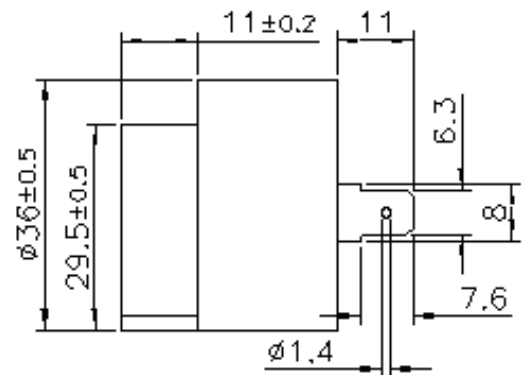
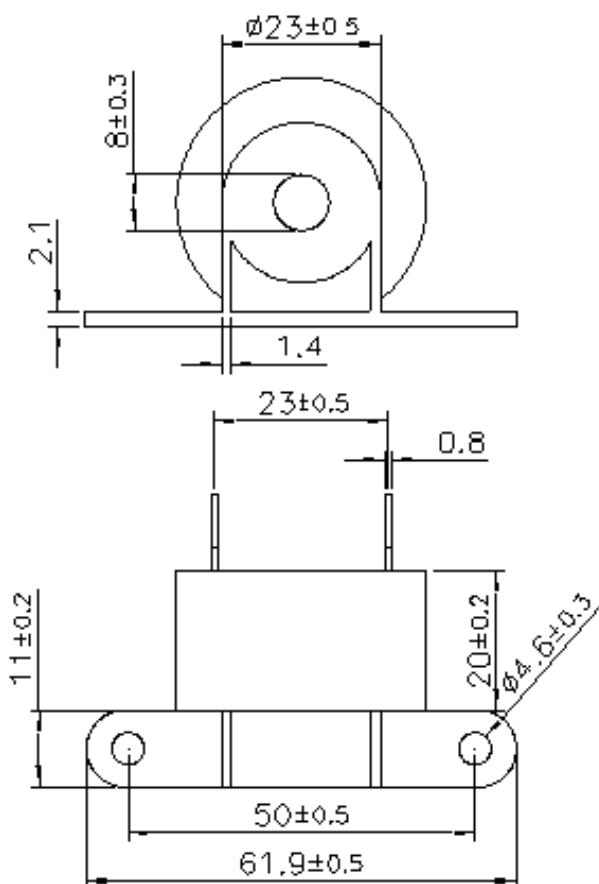
**THE DATASHEET OF  
MAS27N26EPQ**



**Sales Outline Drawing**Revision **B**

**May not be suitable for all Medical and Aerospace applications.  
Contact Mallory Sonalert to discuss your application.**

Oscillation Frequency (Hz)	2700 ± 500
Operating Voltage (Vdc)	8 ~ 16
Rated Voltage (Vdc)	12
Current Consumption Max. (mA)	20 @ Rated Voltage
Sound Pressure Level (dB/min)	87 @ 2feet at Rated Voltage
Tone/Pulse Rate	Fast Pulse 4.0 ± 20%
Operating Temperature (°C)	-20 ~ +70
Storage Temperature (°C)	-30 ~ +80
Lead Pin	Tin Plated Brass
Housing	ABS 757 UL94HB Plastic resin (Color: Black)
Weight (Grams)	24
Options	For other options contact factory

**Dimensions:** (units: mm)**ROHS Compliant**

## Looking for pricing, stock, or lifecycle information?

Click below to explore more details on WIN SOURCE:

- ⊖ [View MAS27N26EPQ on WIN SOURCE](#)
- ⊖ [Mallory Sonalert Products Inc. Information](#)

## Optimize Your Supply Chain with WIN SOURCE Solutions

- ✓ Global Sourcing Solution
- ✓ Obsolete Management
- ✓ Cost Control Management
- ✓ Shortage Management
- ✓ Alternative Solution
- ✓ Excess Inventory Management