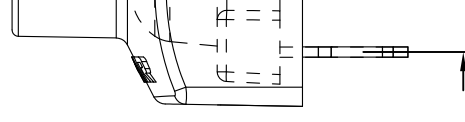
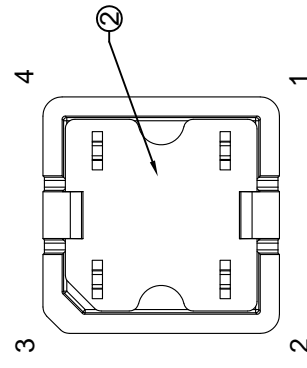
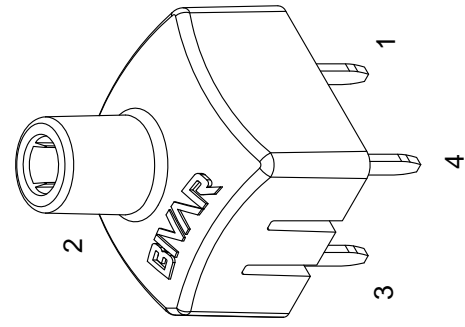
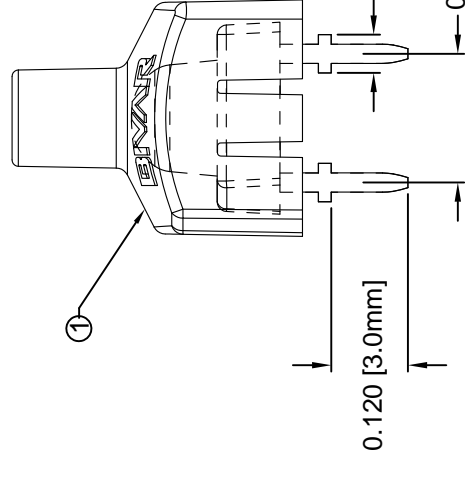
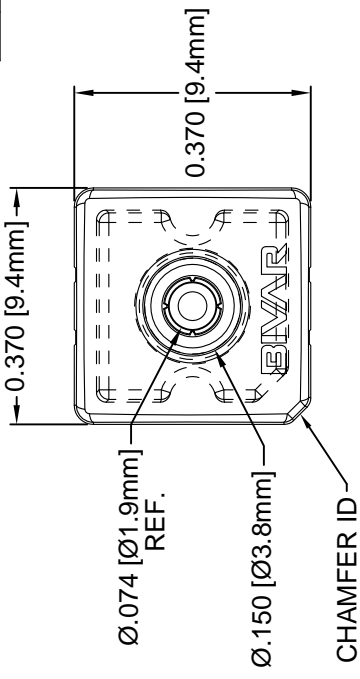
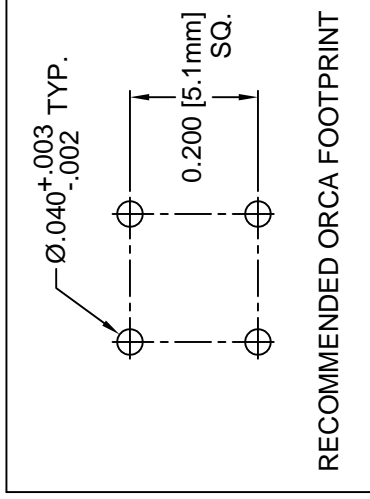




ITEM	Q'TY	PART NUMBER	PART DESCRIPTION
1	1	ORFLP1	1mm Flexible Light Pipe ORCA Adapter
2	1	RXXXXX-4-0045	4.6mm Dome 4-Pin Super Flux ORCA LED, 45°

REV.	DESCRIPTION
A	Engineering Release
B	Updated LED Optical



NOTE: SEE PAGE 2 FOR POLARITY

### ABSOLUTE MAXIMUM RATINGS (Ta=25°C)

REVERSE VOLTAGE	_____ 5V
REVERSE CURRENT	_____ 10uA
OPERATING TEMPERATURE RANGE	_____ -25°C ~ +80°C
STORAGE TEMPERATURE	_____ -30°C ~ +80°C
LEAD SOLDERING TEMPERATURE(1/16" FROM BODY)	_____ 260°C FOR 5 SECONDS

STANDARD TOLERANCES (UNLESS OTHERWISE SPECIFIED)	ANGULAR	X°
DECIMALS	.X	±.2
	.XX	±.02
	.XXX	±.010
DESIGNED BY:	Raffy Paje	
CHECKED BY:	F. Jensen	
DATE:	04/16	DATE: 04/16

REV.	SEE SHEET #1

Assy P/N	LED P/N	Emitted Color	Dom inant Length $\lambda_d$ (nm) / CCT (K)	Lens Appearance	Absolute Max. Ratings			Vf (V)			
					Pd (mW)	If (mA)	Peak If (mA)	MIN	TYP	MAX	MIN
<b>SINGLE COLOR LED ASSEMBLIES (20mA)</b>											
ORFLP1-BLU	R20BLU-4-0045	BLUE	465 - 475	WATER CLEAR	220	50	100	2.7	3.2	3.6	5000
ORFLP1-GRN	R20GRN-4-0045	GREEN	517 - 527		220	50	100	2.7	3.2	3.6	15000
ORFLP1-WHT	R20WHT-4-0045	WHITE	6000K		220	50	100	2.7	3.2	3.6	10000
<b>SINGLE COLOR LED ASSEMBLIES (50mA)</b>											
ORFLP1-RED	R50RED-4-0045	RED	620 - 635	WATER CLEAR	140	80	160	1.8	2.4	2.6	12000
ORFLP1-YLW	R50YLW-4-0045	YELLOW	588 - 596		140	80	160	1.8	2.4	2.6	12000
<b>BI-COLOR LED ASSEMBLIES (50mA)</b>											
ORFLP1-RG	R50RG2-4-0045	RED	617 - 630	WATER CLEAR	150	80	160	1.8	2.4	2.6	3000
		GREEN	515 - 525								
ORFLP1-RB	R50RB2-4-0045	RED	617 - 630	WATER CLEAR	150	80	160	1.8	2.4	2.6	3000
		BLUE	460 - 470								
ORFLP1-BG	R50BG2-4-0045	BLUE	460 - 470	WATER CLEAR	220	80	150	3.0	3.4	3.8	1000
		GREEN	515 - 525								
ORFLP1-RGB	R50RGB-4-0045	RED	617 - 630	WATER CLEAR	150	80	160	1.8	2.4	2.6	3000
		GREEN	515 - 525								
		BLUE	460 - 470								

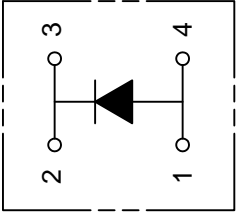


FIG. A

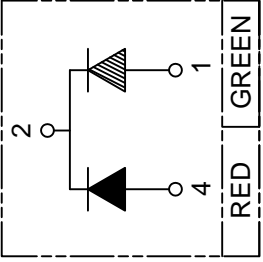


FIG. B

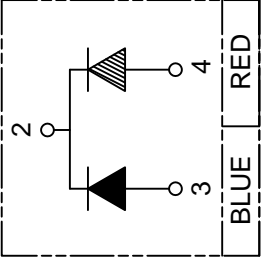


FIG. C

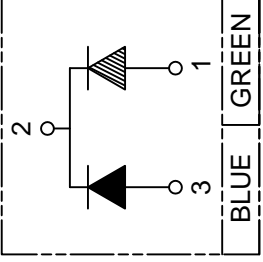


FIG. D

STANDARD TOLERANCES  
( UNLESS OTHERWISE SPECIFIED )  
DECIMALS ANGLES

DESIGNED:	<b>Raffy Paje</b>	DATE:	<b>04/01</b>
CHECKED:	<b>F. Jensen</b>	DATE:	<b>04/01</b>

NOTES:  
1. INDIVIDUAL LED P/N DATA AVAILABLE @ WWW.BIVAR.COM.

## Looking for pricing, stock, or lifecycle information?

Click below to explore more details on WIN SOURCE:

 [View ORFLP1-RGB on WIN SOURCE](#)

 [Bivar Inc. Information](#)

## Optimize Your Supply Chain with WIN SOURCE Solutions

-  Global Sourcing Solution
-  Obsolete Management
-  Cost Control Management
-  Shortage Management
-  Alternative Solution
-  Excess Inventory Management