

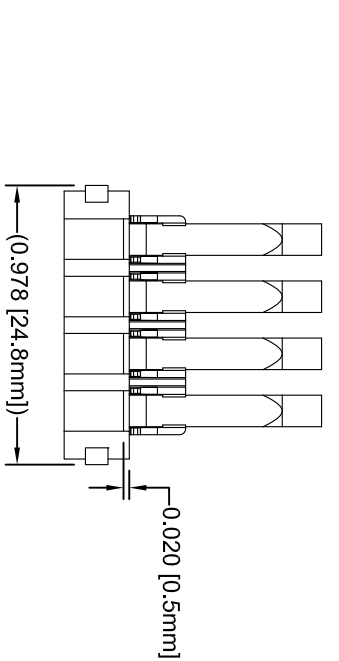
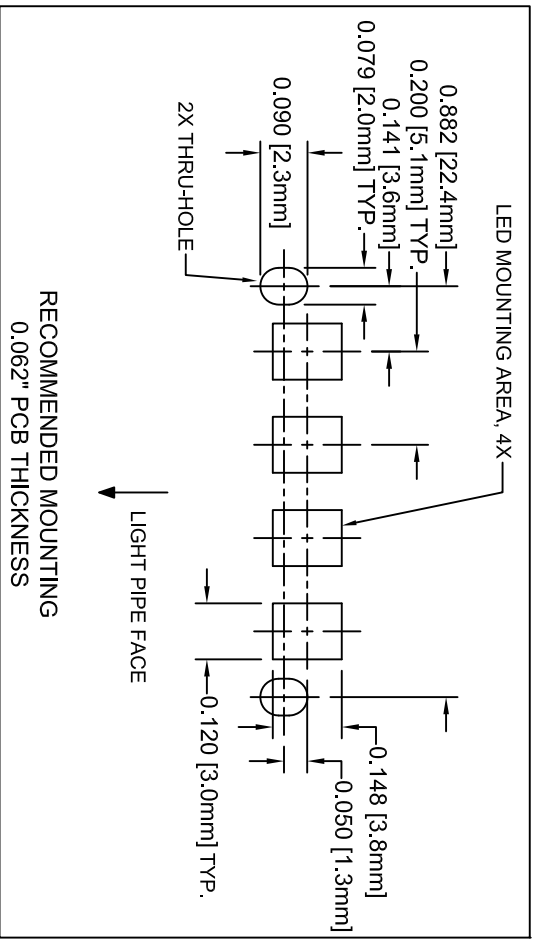
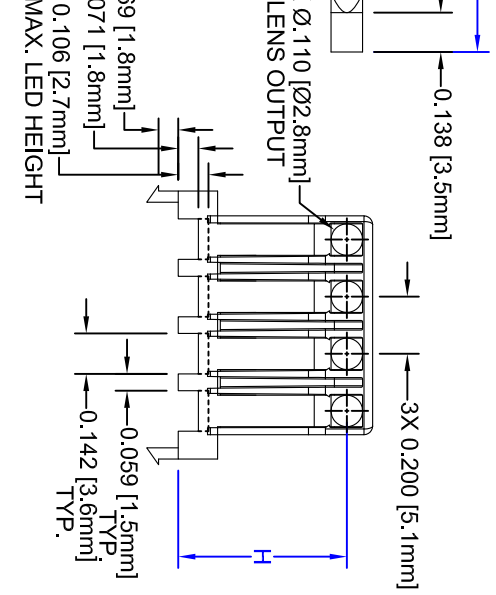
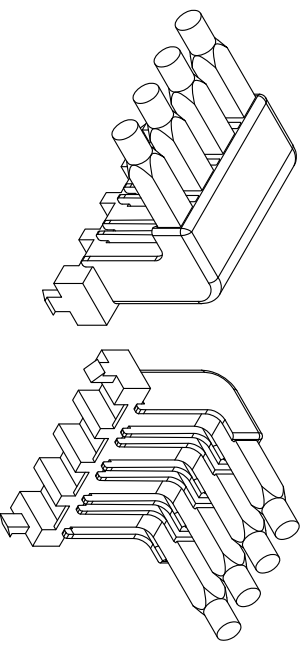
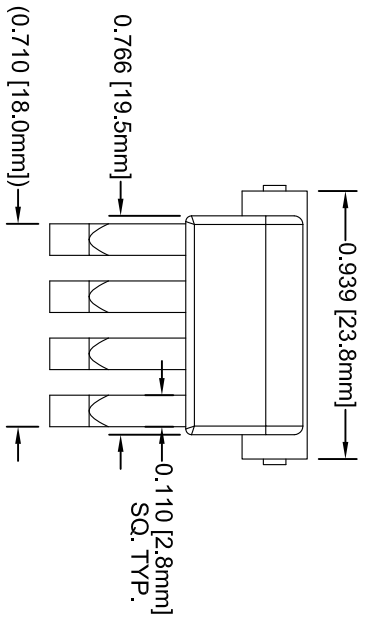


**THE DATASHEET OF
RLP4-400-650**



PART DESCRIPTION	
Surface Mount Right Angle Light Pipe, 2.8mm, 4 Station.	
See Table on 2nd Page	
LPR Housing, 4 Station, White. See Table on 2nd Page	

REV.	DESCRIPTION	DATE	APPROVED
A	Engineering Release	11/06/09	T. Y.
B	Added Overall Height "K" Dim	03/04/11	T. Y.
C	Added Overall Snap Height Dimension	08/15/12	T. Y.
D	Added Color Options, Sheet #3	02/02/16	J. C.
E	ECO-1066; Updated Mounting Hole Dimensions	08/11/20	A. V.



STANDARD TOLERANCE (UNLESS OTHERWISE SPECIFIED)		TITLE: RIGHT ANGLE LIGHT PIPE, 2.8MM, 4 STATION	
DECIMALS	ANGULAR	4 THOMAS, IRVINE, CA, 92618 TEL: (949) 951-8808 FAX: (949) 951-3974	
.X ± 0.1	X° ± 1°	PART NO: RLP4-XXX-XXX	REVISION: E
.XX ± 0.01		SHEET SIZE: A	CAGE CODE: 32559
.XXX ± 0.010		SCALE: 1:1	SHEET # 1 OF 3
DESIGNED: R. Paje	DATE: 11/06/09	CAD GENERATED DOCUMENT, DO NOT MEASURE DRAWING	
REVISION: K. Baron	DATE: 08/11/20		
CHECKED: A. Valdez	DATE: 08/11/20		

REV.	DESCRIPTION	DATE	APPROVED
SEE SHEET #1			

RLP4-XXX-XXX

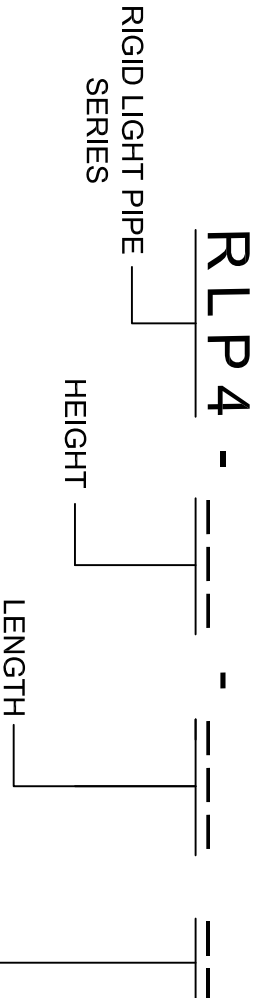
N	H	L	K			FIGURE
650	0.197 [5.0mm]	0.551 [14.0mm]	0.287 [7.3mm]	LPR4-XXX-XXX	RLPH4-XXX	
		0.669 [17.0mm]		LPR4-200-500	RLPH4-200	
800		0.787 [20.0mm]		LPR4-200-800	RLPH4-200	
		0.551 [14.0mm]		LPR4-400-500	RLPH4-400	
650	0.394 [10.0mm]	0.669 [17.0mm]	0.484 [12.3mm]	LPR4-400-650	RLPH4-400	
		0.787 [20.0mm]		LPR4-400-800	RPH4-400	
500		0.551 [14.0mm]		LPR4-600-500	RLPH4-600	
650	0.591 [15.0mm]	0.669 [17.0mm]	0.681 [17.3mm]	LPR4-600-650	RLPH4-600	
		0.787 [20.0mm]		LPR4-600-800	RLPH4-600	
800						

CAGE CODE:	32559	PART NO.:	RLP4-XXX-XXX	REVISION:	E
SHEET SIZE:	A	SCALE:	1:1	SHEET #	2 OF 3
CAD GENERATED DOCUMENT. DO NOT MEASURE DRAWING.					



RRS
INFORMATION

REV.	DESCRIPTION	DATE	APPROVED
	SEE SHEET #1		



COLOR	Order Code
BLUE	BE
BLACK	BK
GREEN	GN
GRAY	GY
RED	RD
YELLOW	YW

NOTE: LEAVE ORDER CODE BLANK
 IF NO COLOR IS DESIRED.



EMBLIES WILL BE DYED.
 OR UPON REQUEST.

CAGE CODE:	32559
SHEET SIZE:	A

BVVR		PART NO.:	RLP4-XXX-XXX	REVISION:	E
		SCALE:	1:1	SHEET #	3 OF 3
CAD GENERATED DOCUMENT. DO NOT MEASURE DRAWING.					

Looking for pricing, stock, or lifecycle information?

Click below to explore more details on WIN SOURCE:

-  [View RLP4-400-650 on WIN SOURCE](#)
-  [Bivar Inc. Information](#)

Optimize Your Supply Chain with WIN SOURCE Solutions

-  Global Sourcing Solution
-  Obsolete Management
-  Cost Control Management
-  Shortage Management
-  Alternative Solution
-  Excess Inventory Management