



**THE DATASHEET OF
PJ-072C-SMT-TR**





MODEL: PJ-072C-SMT-TR | **DESCRIPTION:** DC POWER JACK

FEATURES

- shielded
- low profile
- surface mount



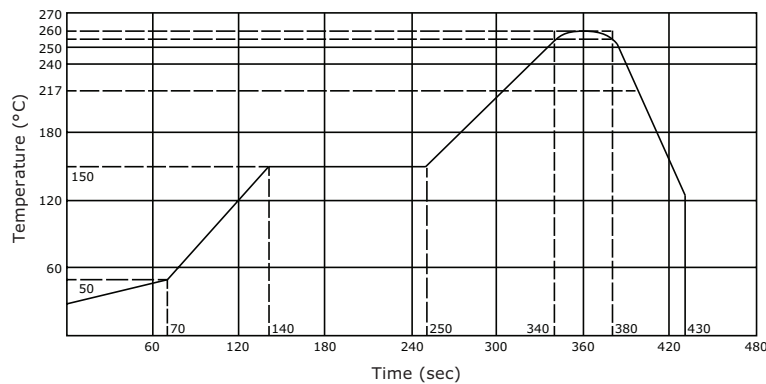
SPECIFICATIONS

parameter	conditions/description	min	typ	max	units
rated input voltage			24		Vdc
rated input current				2.0	A
contact resistance	between terminal and mating plug between terminal in a closed circuit			50 30	mΩ mΩ
insulation resistance	at 500 Vdc	100			MΩ
voltage withstand	for 1 minute			500	Vac
insertion/withdrawal force		0.3		3	kg
operating temperature		-25		85	°C
life			5,000		cycles
flammability rating	UL94V-0				
RoHS	yes				

SOLDERABILITY

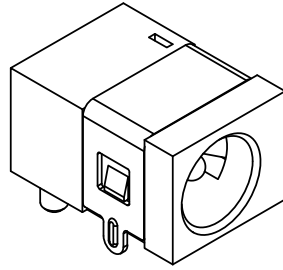
parameter	conditions/description	min	typ	max	units
reel storage	at relative humidity <80%			40	°C
reflow soldering ¹	see reflow profile	255	260	265	°C
drying conditions ²	parts in reel: bake at 40°C ±5°C for 72 hours parts removed from reel: bake at 40°C ±5°C for 10 hours				

Note: 1. It is recommended to reflow solder within 72 hours from opening vacuum packaging at a temperature <30°C & relative humidity <80%.
2. When exceeding floor life by >72 hours.

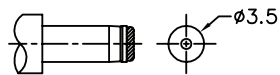
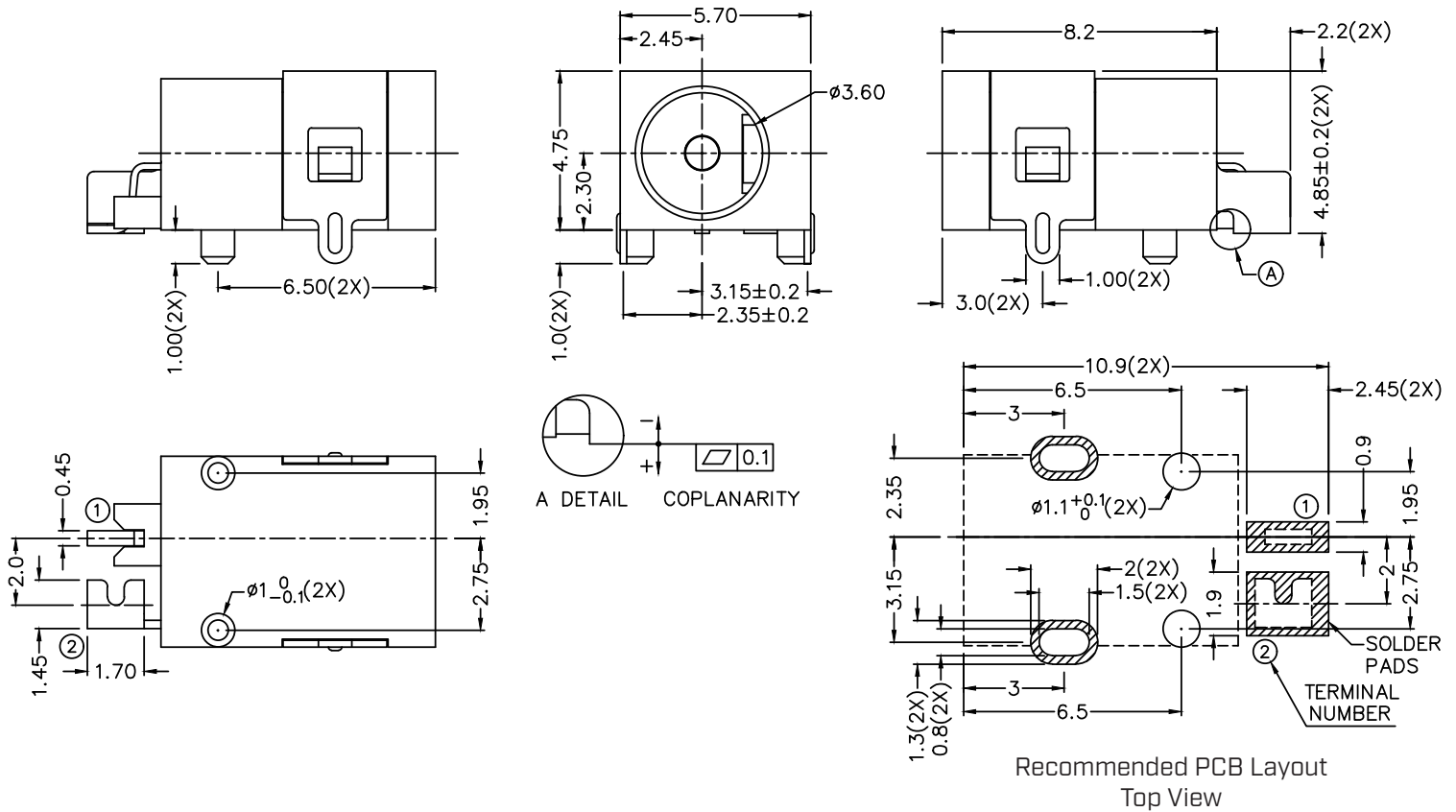


MECHANICAL DRAWING

units: mm
 tolerance:
 X.X ± 0.20 mm
 X.XX ± 0.10 mm
 X.XXX ± 0.050 mm
 PCB: ± 0.05 mm
 unless otherwise specified



DESCRIPTION	MATERIAL	PLATING/COLOR
terminal 1	copper alloy	contact area: gold flash over nickel solder area: tin over nickel
terminal 2	copper alloy	gold flash over nickel
shield	brass	nickel
housing	PA10T (UL94V-0)	black



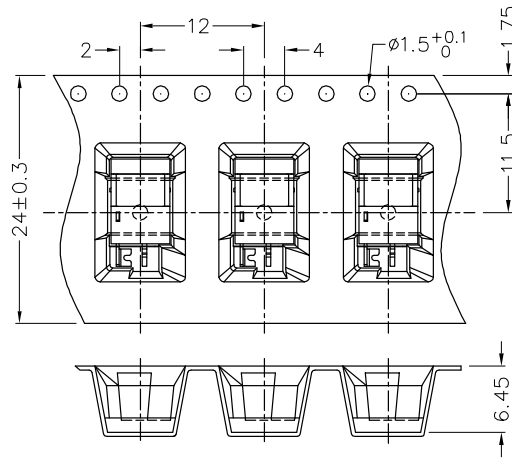
MATING PLUG
 Jack Insertion Depth: 6.0mm

SCHEMATIC	
Model	PJ-072C-SMT-TR
Center Pin	$\phi 1.0$ mm

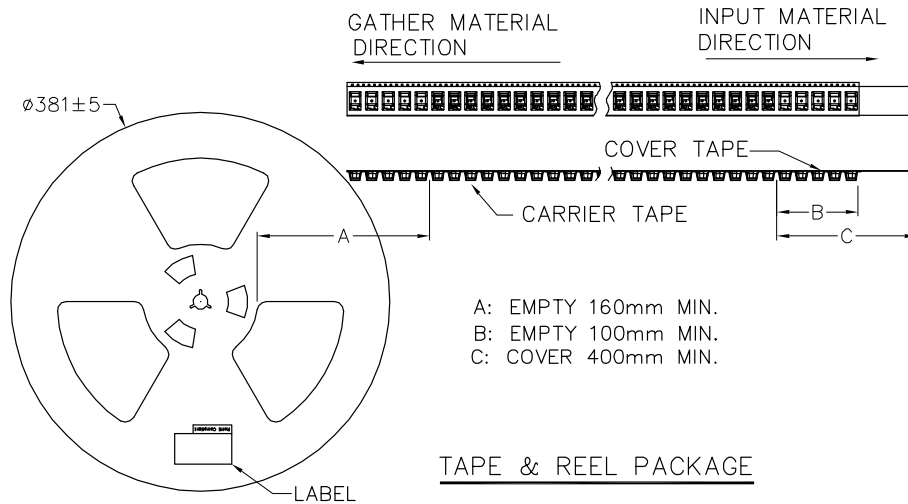
PACKAGING

units: mm

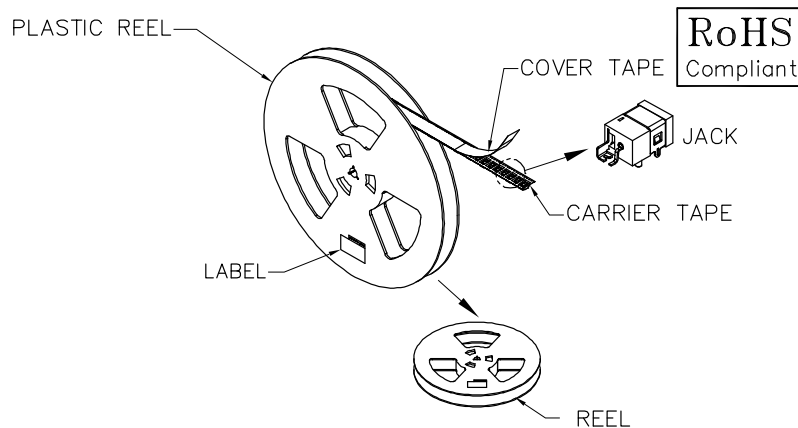
Reel Size: $\varnothing 381$ mm
 Reel QTY: 1,200 pcs per reel



CARRIER TAPE



TAPE & REEL PACKAGE



REVISION HISTORY

rev.	description	date
1.0	initial release	06/25/2012
1.01	added TR package option	11/28/2012
1.02	increased voltage rating	05/16/2016
1.03	added storage and drying conditions, and tape and reel packaging details	08/18/2017
1.04	brand update	10/22/2019
1.05	logo, datasheet style update	08/05/2022
1.06	product reengineered for improved manufacturability and production yield, see PCN for details	06/29/2023
1.07	product reengineered for improved manufacturability and production yield, see PCN for details	08/14/2024
1.08	CUI Devices rebranded to Same Sky	09/12/2024

The revision history provided is for informational purposes only and is believed to be accurate.



Same Sky offers a one (1) year limited warranty. Complete warranty information is listed on our website.

Same Sky reserves the right to make changes to the product at any time without notice. Information provided by Same Sky is believed to be accurate and reliable. However, no responsibility is assumed by Same Sky for its use, nor for any infringements of patents or other rights of third parties which may result from its use.

Same Sky products are not authorized or warranted for use as critical components in equipment that requires an extremely high level of reliability. A critical component is any component of a life support device or system whose failure to perform can be reasonably expected to cause the failure of the life support device or system, or to affect its safety or effectiveness.

[sameskydevices.com](https://www.sameskydevices.com)

Looking for pricing, stock, or lifecycle information?

Click below to explore more details on WIN SOURCE:

 [View PJ-072C-SMT-TR on WIN SOURCE](#)

 [Same Sky Information](#)

Optimize Your Supply Chain with WIN SOURCE Solutions

-  Global Sourcing Solution
-  Obsolete Management
-  Cost Control Management
-  Shortage Management
-  Alternative Solution
-  Excess Inventory Management