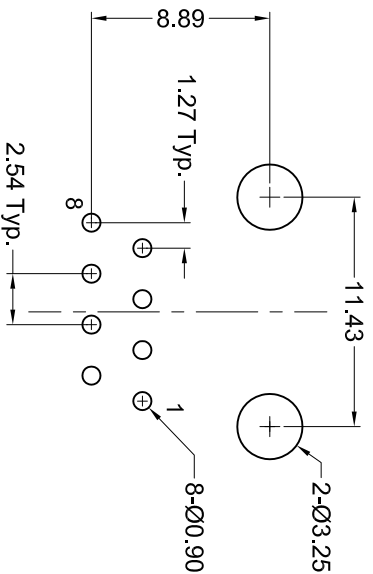
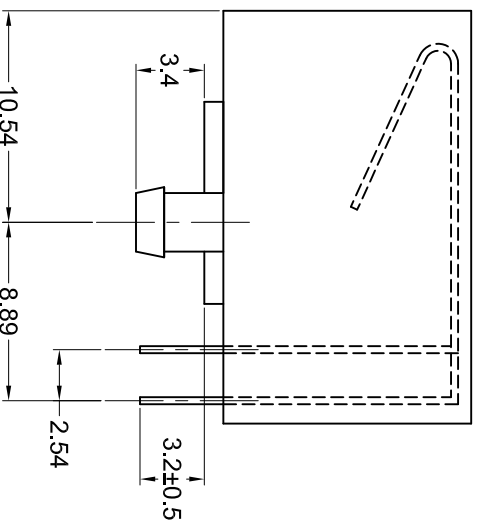
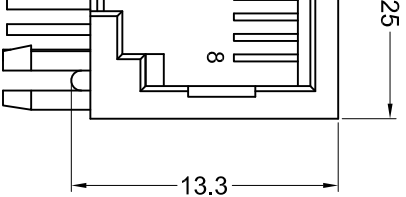




THE DATASHEET OF GSX-N-88





Materials and Finish
Housing: PBT Thermoplastic
UL 94V-0 Rated
Color: Black
Contact Material:
Phosphor Bronze
Plating Options:
Standard: Nickel Underplating,
Gold Flash Plated on Contact Area,
Tin Plated on Solder Area
50 Option: Nickel Underplating,
Contact Area Plated with 50u" Gold
to Comply with ANSI/TIA-1096-A
Tin Plated on Solder Area

Electrical Characteristics

Rated Current: 1.5A
Rated Voltage: 125V DC
Insulation Resistance:
500 Megohms Min.
Contact Resistance:
20 milliohms Max.
Dielectric Withstanding Voltage:
1000V AC for 1 Minute

Mechanical Characteristics

Durability Rating:
750 Mating Cycles Min.
Operating Temperature:
-40°C to +85°C

ation
Plating Finish
(standard)
0 option)

V. BY	CHK. BY	DRAWN BY	DATE
Aguirre	H. MA	R. Aguirre	05/26/05
Vien	H. MA		UNITS
Vien	H. MA		mm
Ch	H. MA		
MA	C. Furumatsu		

GSX-N-88

Rt. Ang Modular Jack, RoHS Compliant
8 Position / 8 Contacts, Non-Shielded



Tolerances
X.X ± 0.35
X.XX ± 0.25
Unless Stated
Otherwise



Looking for pricing, stock, or lifecycle information?

Click below to explore more details on WIN SOURCE:

 [View GSX-N-88 on WIN SOURCE](#)

 [Kycon, Inc. Information](#)

Optimize Your Supply Chain with WIN SOURCE Solutions

-  Global Sourcing Solution
-  Obsolete Management
-  Cost Control Management
-  Shortage Management
-  Alternative Solution
-  Excess Inventory Management