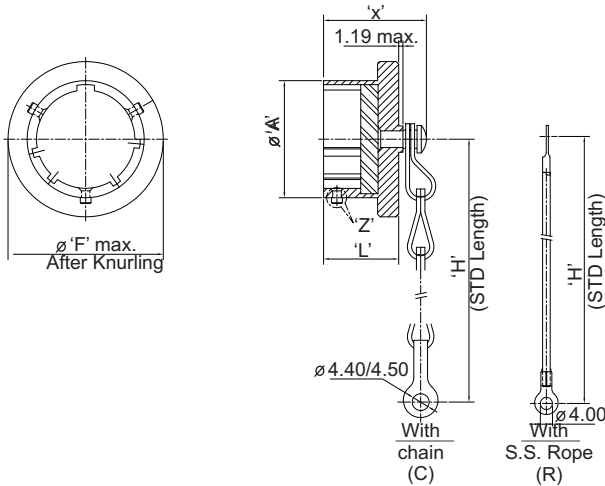




**THE DATASHEET OF  
MS3180-12C**



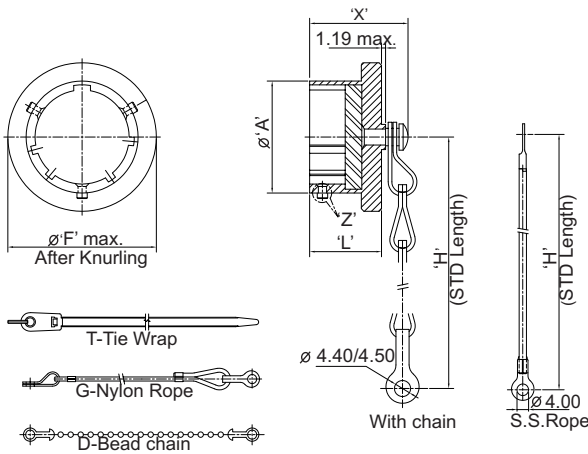


## Ordering Information (MIL Part Number)

JANMS3180 10 C W L

- Designates Plug Dust Cover
- Shell Size: 08, 10, 12, 14, 16, 18, 20, 22 & 24
- Style:
  - C - With Chain
  - R - With SS Rope
- Class:
  - A - Hard Anodize black finish
  - W - Cadmium plate finish
- Length:
  - L - 127.0 + 12.7/-6.35 chain/rope in lieu of std. length

Note: For non. std. long "L" Contact factory



## Ordering Information (Proprietary Part Number)

IMB3180 08 A F N H

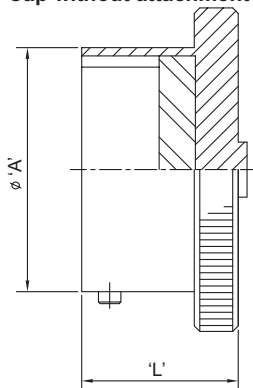
- Designates Plug Dust Cover
- Shell Size: 08, 10, 12, 14, 16, 18, 20, 22 & 24
- Class: Aluminium
  - A - Hard anodic
  - B - Zinc nickel finish
  - F - 48 hrs. electroless nickel
  - W - 500 hrs. cadmium olive drab
  - EB - Cad. free zinc cobolt -olive drab finish
  - FB - Cad. free zinc cobolt - black finish
  - T- PT FE nickel finish
  - SD- Zinc Ni Black finish
- Type of attachment
  - D - bead chain passivated
  - F - Wire rope with teflon jacket
  - G - Nylon cord
  - S - Sash chain passivated
  - X - None
- Type of end link:
  - N - Solid ring
  - T - Tie wrap
  - X - None
- Length of attachment:
  - H - Standard length
  - For non- standard 'H', length has to be specified in mm.

All Dimensions are in mm

Shell Size	øA Ref.	ø F Max. Overall.	H +12.70/-6.35	L Max. Length	X Max. Overall	ø F For Heavy Duty +0.00/-0.08
08	12.01	18.26	76.20	14.27	19.84	22.10
10	14.99	21.44				24.86
12	19.05	25.40				29.24
14	22.22	28.58				32.41
16	25.40	31.75	101.60	15.88	21.44	35.58
18	28.58	34.92				38.22
20	31.75	38.10				41.94
22	34.92	41.28				45.11
24	38.10	44.45		16.71	22.22	48.18

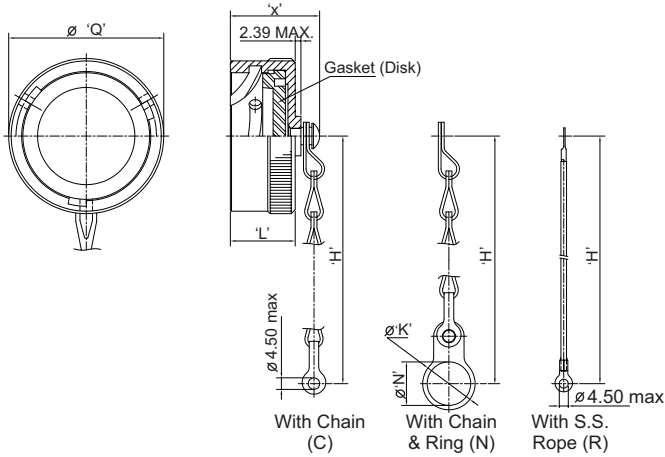
All Dimensions for reference only

### Cap without attachment



## Ordering information IMB3180 -08 - A - V1

- Plug Dust Cover
- Shell Size : 08,10,12,14,16,18,20,22 & 24
- Class:
  - A - Hard Anodic
  - W - Aluminium, 500 hrs. Cadmium Olive Drab
  - F - Aluminium, 48 hrs. electroless nickel
  - T- Nickel PTFE finish
- Variant



## Ordering Information (MIL Part Number)

JANMS3181 10 C W L

Designates Receptacle Dust Cover

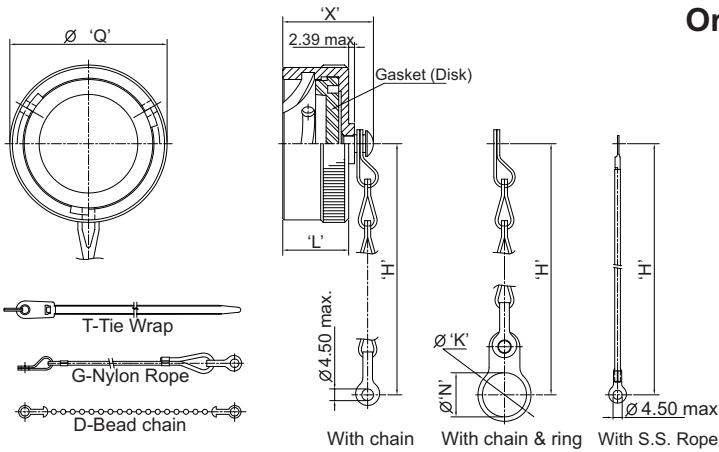
Shell Size: 08, 10, 12, 14, 16, 18, 20, 22 & 24

Style:  
 C - With Chain  
 N - With Chain & Ring  
 R - With SS Rope

Class:  
 A - Hard Anodize black finish  
 W - Cadmium plate finish

Length:  
 L - 127.0 + 12.7/-6.35 chain/rope in lieu of std. length  
 Leave blank for std.length

Note: For non. std. long "L" Contact factory



## Ordering Information (Proprietary Part Number)

IMB3181 08 A F N H

Designates Receptacle Duct Cover

Shell Size: 08, 10, 12, 14, 16, 18, 20, 22 & 24

Class: Aluminium  
 A - Hard anodic  
 B - Zinc nickel finish  
 F - 48 hrs. electroless nickel  
 W - 500 hrs. cadmium olive drab  
 EB - Cad. free zinc cobolt -olive drab finish  
 FB - Cad. free zinc cobolt - black finish  
 T- PT FE nickel finish  
 SD- Zinc Ni Black finish

Type of attachment  
 D -Bead chain passivated  
 F - Wire rope with teflon jacket  
 G - Nylon cord  
 S - Sash chain passivated  
 X - None

Type of end link:  
 N - Solid ring  
 T -Tie wrap  
 X - None

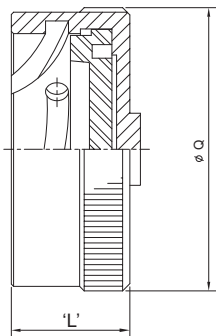
Length of attachment:  
 H - Standard length  
 For non- standard 'H', length has to be specified in mm.

All Dimensions are in mm

Shell Size	H +12.70/-6.35	Ø K MAX.	L Max.	Ø N MIN	Ø Q MIN	X Max.
08	20.62	14.68	18.64			
10	76.20	25.40		17.86	21.82	
12		30.18	14.27	22.63	25.40	21.44
14		36.67		25.81	28.58	
16	88.90	39.67		28.98	31.75	
18		42.88		32.16	34.92	
20		46.02		35.33	38.10	
22	101.60	49.23		38.51	41.28	
24		52.37	15.29	41.68	44.45	22.22

All Dimensions for reference only

### Cap without attachment



## Ordering information IMB3181 -08 - A - V1

Designates: Receptacle Dust Cover

Shell Size : 08, 10, 12, 14, 16, 18, 20, 22 & 24

Class:  
 A - Hard Anodic  
 W - Aluminium, 500 hrs. Cadmium Olive Drab  
 F - Aluminium, 48 hrs. electroless nickel  
 T- Nickel PTFE finish

Variant

## Looking for pricing, stock, or lifecycle information?

Click below to explore more details on WIN SOURCE:

 [View MS3180-12C on WIN SOURCE](#)

 [Amphenol PCD Information](#)

## Optimize Your Supply Chain with WIN SOURCE Solutions

-  Global Sourcing Solution
-  Obsolete Management
-  Cost Control Management
-  Shortage Management
-  Alternative Solution
-  Excess Inventory Management