



**THE DATASHEET OF**  
**1291-66**





## MOLDED 9 VOLT BATTERY HOLDERS



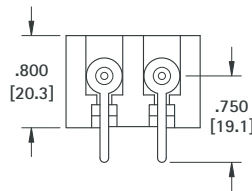
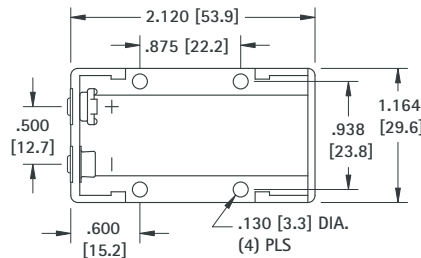
1294



1295

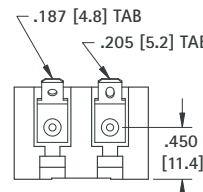
### SPECIFICATIONS

**Body:** Molded from high impact, Glass Filled Nylon  
**Terminals:** Brass, Tin Plate  
**Contacts:** Steel, Nickel Plate



CAT. NO. 1294

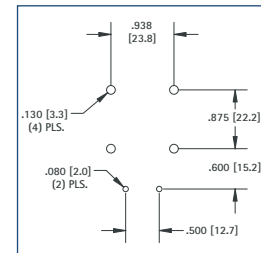
PC Terminals



CAT. NO. 1295

Quick-Fit Terminals

### Mounting Detail

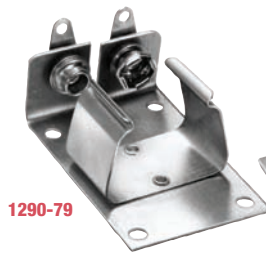


Holds any size, any shape, standard 9 Volt battery. Eliminates need to specify an exact battery brand, size or shape. Ideal for power source or memory back-up use in PLC, telecommunications, data processing, security systems, clocks, radios, toys and appliances.

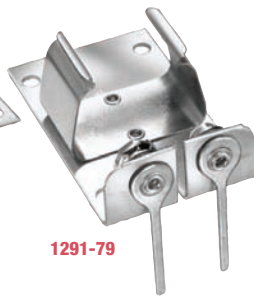
- Male-female snap-in terminals assure positive contact and proper polarity
- Durable, rugged construction
- Excellent spring retention – holds battery in place
- Withstands severe shock and vibration
- Operating temperature range: -40°F to +266°F (-40°C to +130°C)
- Impervious to most industrial solvents

## ALUMINUM 9 VOLT BATTERY HOLDERS

For use with standard 9 Volt battery. Battery snaps in place to insure positive contact. Ideal where severe shock and vibration are encountered. Available with standard solder lugs or printed circuit lugs.



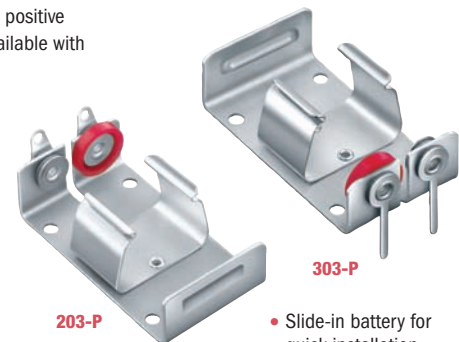
1290-79



1291-79

### SPECIFICATIONS

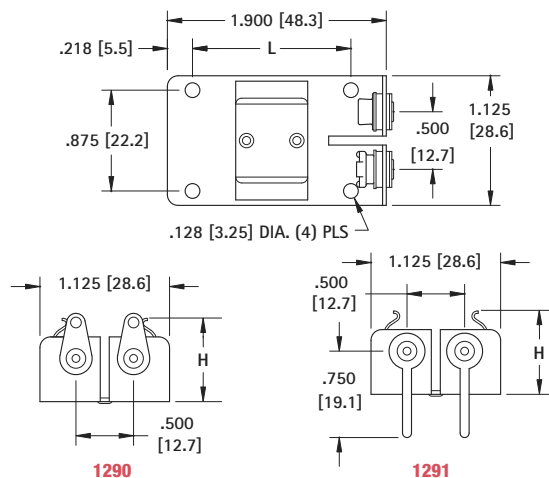
**Frame:** Aluminum  
**Solder Terminals:** Brass, Tin Plate  
**PC Terminals:** Brass, Tin Plate  
**Contacts & Clips:** Steel, Nickel Plate  
**Insulation:** Resin Impregnated  
**Polarizing Washer:** Polyethylene



203-P

303-P

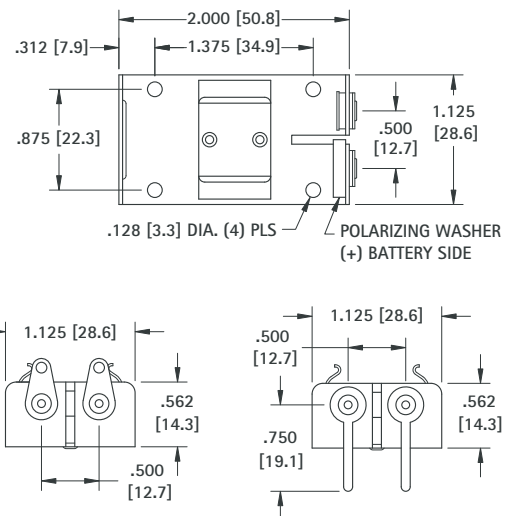
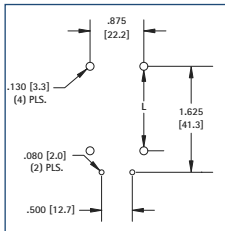
- Slide-in battery for quick installation and replacement
- Polarity clearly marked



1290

1291

### Mounting Detail



CAT. NO. 203-P

Solder Terminals

CAT. NO. 303-P

PC Terminals

CAT. NO.	CAT. NO.	H	L	BATTERY REFERENCE	DESCRIPTION
1291	1290	.718 (18.2)	1.375 (34.9)	Alkaline	Low Profile
1291-79	1290-79	.812 (20.6)	1.375 (34.9)	Alkaline	Snap Fit
1291-66	1290-66	.857 (21.8)	1.250 (31.8)	Lithium-Ion	Snap Fit



## Looking for pricing, stock, or lifecycle information?

Click below to explore more details on WIN SOURCE:

- ⊖ [View 1291-66 on WIN SOURCE](#)
- ⊖ [Keystone Electronics Information](#)

## Optimize Your Supply Chain with WIN SOURCE Solutions

- ✓ Global Sourcing Solution
- ✓ Obsolete Management
- ✓ Cost Control Management
- ✓ Shortage Management
- ✓ Alternative Solution
- ✓ Excess Inventory Management