



**THE DATASHEET OF
DC27L-1/4**



THIS DOCUMENT CONTAINS PROPRIETARY DATA OF POLARIS INDUSTRIAL ENTERPRISES, INC. NO DISCLOSURE, REPRODUCTION, OR USE OF ANY PART THERE OF MAY BE MADE EXCEPT BY WRITTEN PERMISSION.

REV.	BY	DATE	APPRVL.	P/N
C	DMS	3/23/98	BT	DC27
				ADDED SHAFT CHART

SPECIFICATIONS

ACCURACY ----- ±0.35% OF VOLTAGE RATIO

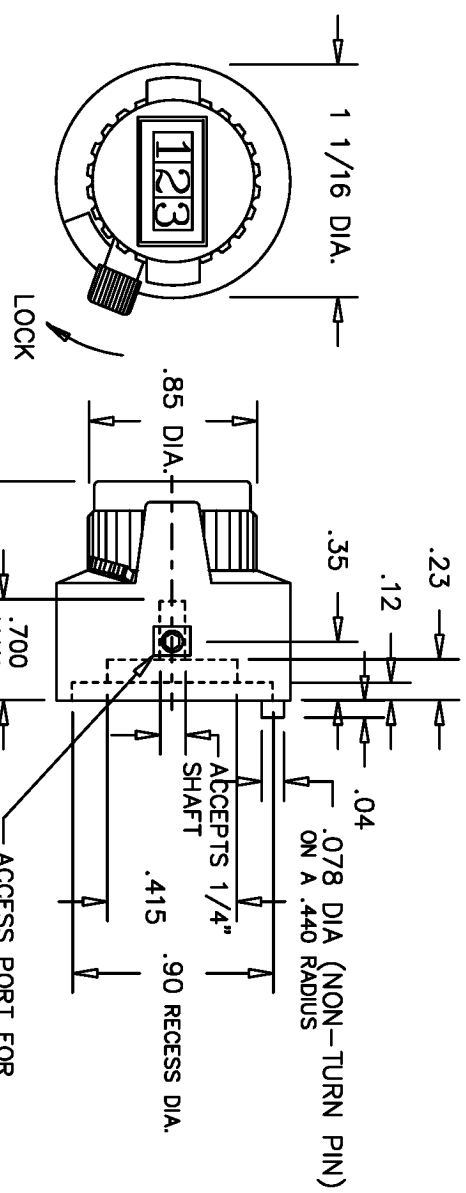
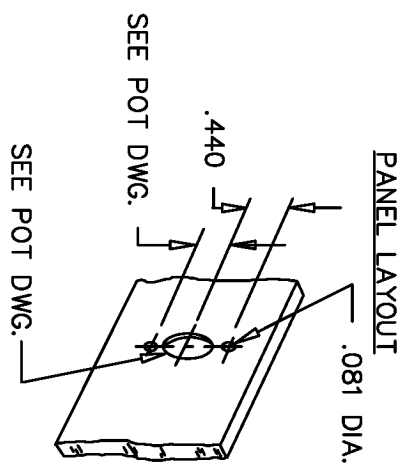
REPEATABILITY ----- ±0.02% OR RESOLUTION OF POT

OPERATING TEMPERATURE RANGE ----- -30°C TO 85°C

TURNS ----- 10 (000 TO 999 COUNTS)

LOCK ----- OVER THE CENTER

HOUSING MATERIAL ----- HIGH TEMP. BLACK PLASTIC



NOTES

1. COMPATIBLE ETI SYSTEMS POTENTIOMETERS 3 TO 30 TURNS.
 MW20B MW46B MH20B
 MW22B MR46B MH46B
2. POT/DIAL COMBINATIONS AVAILABLE
 SEE ETI SPECIFICATION DC22.
3. OTHER SHAFT SIZE BUSHINGS AVAILABLE
4. NUMBERS INCREASE WITH CLOCKWISE ROTATION

PART #	SHAFT DIA.	LOCKING UNIT
DC27L-1/4	0.250	YES
DC27N-1/4	0.250	NO
DC27L-1/8	0.125	YES
DC27N-1/8	0.125	NO
DC27L-6mm	6mm	YES
DC27N-6mm	6mm	NO
DC27L-3mm	3mm	YES
DC27N-3mm	3mm	NO

DATE: 3/18/98	BY: DMS
APPRV'D: BT	BT
SCALE: N/A	CODE IDENT: 19477



ETI SYSTEMS
CARLSBAD
CALIFORNIA

TURNS COUNTING DIAL

PART NO.
DC27

TOLERANCES



XX = +/- .010" FRACT. = +/- 1/64"

XXX = +/- .005" ANGLES = +/- 1/2°

ALL SPECIFICATIONS SUBJECT TO CHANGE WITHOUT NOTICE

Looking for pricing, stock, or lifecycle information?

Click below to explore more details on WIN SOURCE:

-  [View DC27L-1/4 on WIN SOURCE](#)
-  [Manufacturer Information](#)

Optimize Your Supply Chain with WIN SOURCE Solutions

-  Global Sourcing Solution
-  Obsolete Management
-  Cost Control Management
-  Shortage Management
-  Alternative Solution
-  Excess Inventory Management