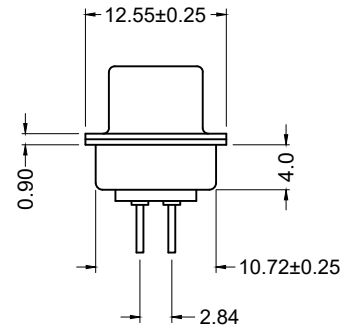
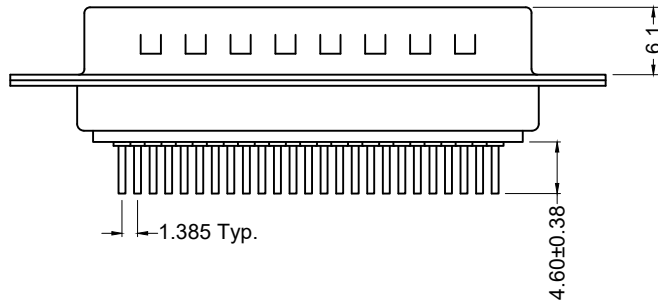
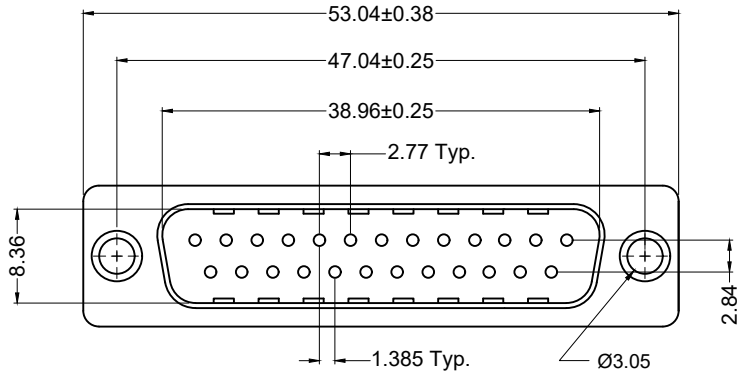


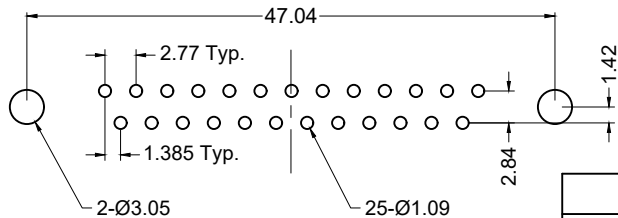


**THE DATASHEET OF  
K85X-BD-25P**





Recommended PCB Layout



Ordering Information	
Part Number	Contact Area Plating Finish
K85X-BD-25P	Gold Flash (standard)
K85X-BD-25P-15	15u" Gold (15 option)
K85X-BD-25P-30	30u" Gold (30 option)

### Material And Finish

Shell: Steel Material, Nickel Plated

Insert: PBT Thermoplastic,  
Black Color, 30%  
Glass Filled, UL 94V-0 Rated

Contact Material:  
Plug - Brass

Contact Plating:  
Standard:  
Gold flash on mating end,  
tin on termination end, with  
entire contact nickel underplated

-15 Option:  
15u" gold on mating end,  
tin on termination end, with  
entire contact nickel underplated

-30 Option:  
30u" gold on mating end,  
tin on termination end, with  
entire contact nickel underplated

### Electrical Specifications

Rated Current: 2A

Rated Voltage: 30V RMS

Dielectric Withstanding Voltage:  
1000V (rms) AC for 1 minute

Insulation Resistance:  
more than 1000 Megohm  
at 500V DC

Dielectric Withstanding Voltage-  
1000 VAC rms for 1 minute

Contact Resistance:  
13 milliohm max.

Operating Temperature  
-55°C to +105°C



Tolerances

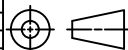
X.X ± 0.25  
X.XX ± 0.15  
Unless Stated  
Otherwise

REV.	DATE	DESCRIPTION	REV. BY	CHK. BY	DRAWN BY	DATE
A1	10/13/05	New Drawing	R. Aguirre	H. MA	R. Aguirre	10/13/05
A2	1/8/08	ECO #07-052	WILL H.	H. MA		
A3	12/31/17	ECO #17-030	J. Elbanna	C. Furumasa		
A4	09/23/25	ECO #25-061	K.Wang	C.Kelleher		

# K85X-BD-25P

Vertical PCB Mount D-Sub

25 Pin Male, RoHS Compliant



## Looking for pricing, stock, or lifecycle information?

Click below to explore more details on WIN SOURCE:

 [View K85X-BD-25P on WIN SOURCE](#)

 [Kycon, Inc. Information](#)

## Optimize Your Supply Chain with WIN SOURCE Solutions

-  Global Sourcing Solution
-  Obsolete Management
-  Cost Control Management
-  Shortage Management
-  Alternative Solution
-  Excess Inventory Management