



THE DATASHEET OF IPC1SAD2



IP series

Pushbutton switches for harsh environments •
bushing Ø 12 mm • latching



DISTINCTIVE FEATURES

- Latching action
- Illuminated or non-illuminated
- Compact
- Flat round actuator for optional marking
- Sealed to IP67



ENVIRONMENTAL SPECIFICATIONS

- Front panel sealing : IP67 according to IEC 60529
- Shock resistance : 100 g according to IEC 512-4, test 6c
- Vibration resistance : 10-500Hz - 10 g according to IEC 512-4, test 6d
- Salt spray : IEC 512-6, test 11f
- Robustness (non-illuminated) : IK06 according to EN 62262 (1 joule)
- Operating temperature : -40 °C to +85 °C (-40 °F to +185 °F)



ELECTRICAL SPECIFICATIONS

- Max. current/voltage rating with resistive load:

4 A 12 VDC, 200,000 cycles

1 A 48 VDC, 200,000 cycles

2 A 48 VDC, 100,000 cycles

3 A 48 VDC, 75,000 cycles

1 A 72 VDC, 15,000 cycles

For W terminals, current has
to be limited to 400 mA.

- Initial contact resistance : 100 mΩ max.
- Insulation resistance : 1 GΩ min. at 500 VDC
- Dielectric strength : 1,500 Vrms between terminals
1,000 Vrms between terminals and frame



LED COMPONENT SPECIFICATIONS

LED color	Forward current	Typ. forward voltage	Max. forward voltage
Super red (LOS)	20 mA	1.95 V	1.95 V
Yellow (LOY)	20 mA	2 V	2.05 V
Green (LOG)	20 mA	2.1 V	2.5 V
Blue (LOB)	20 mA	3.2 V	4 V

A resistor must be series-connected by the user.
Resistor value = $\frac{\text{supply voltage} - \text{LED forward voltage}}{\text{LED forward current}}$

The company reserves the right to change specifications without notice.

IP series

Pushbutton switches for harsh environments •
bushing Ø 12 mm • latching

GENERAL SPECIFICATIONS

- Panel thickness : 1.5 mm (.059) min.
5.5 mm (.217) max.
- Total travel : 2.5 mm (.098) ± 0.3 mm
- Typical operating force : 10 N
- Low level/mech. life : 200.000 cycles
- Torque : 1.5 Nm max. applied to nut
- Soldering : 320 °C (608 °F) max. for 3 sec.

MATERIALS

- Case : thermoplastic, UL 94-V0
- Actuator : polyamide 6/6
- Bushing/bezel : zinc die-cast (zamak), black painted
- Contacts : silver, gold plated
- Output wires (flying lead terminals) :
F version : AWG20, section 0.6 mm²
W version : AWG24, section 0.23 mm²
- LED wires :
F version : AWG26, section 0.12 mm²
W version : AWG24, section 0.23 mm²
- Lens : polycarbonate
- Terminal seal : epoxy

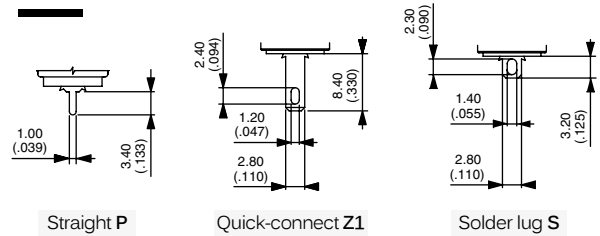
APEM products may be recycled at end-of-life for the re-claiming of valuable metal components.

AGENCY APPROVAL

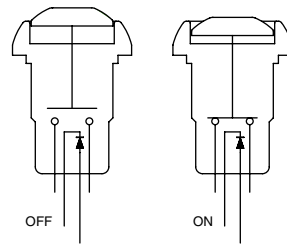


2 A 125 VAC/250 VAC
File E83438
See following pages.

TERMINALS

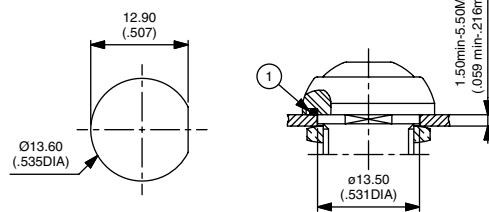


ELECTRICAL FUNCTION



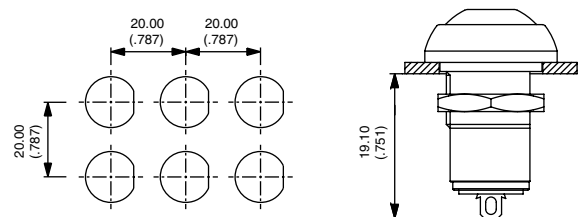
MOUNTING

PANEL CUT-OUT



① - Flat seal

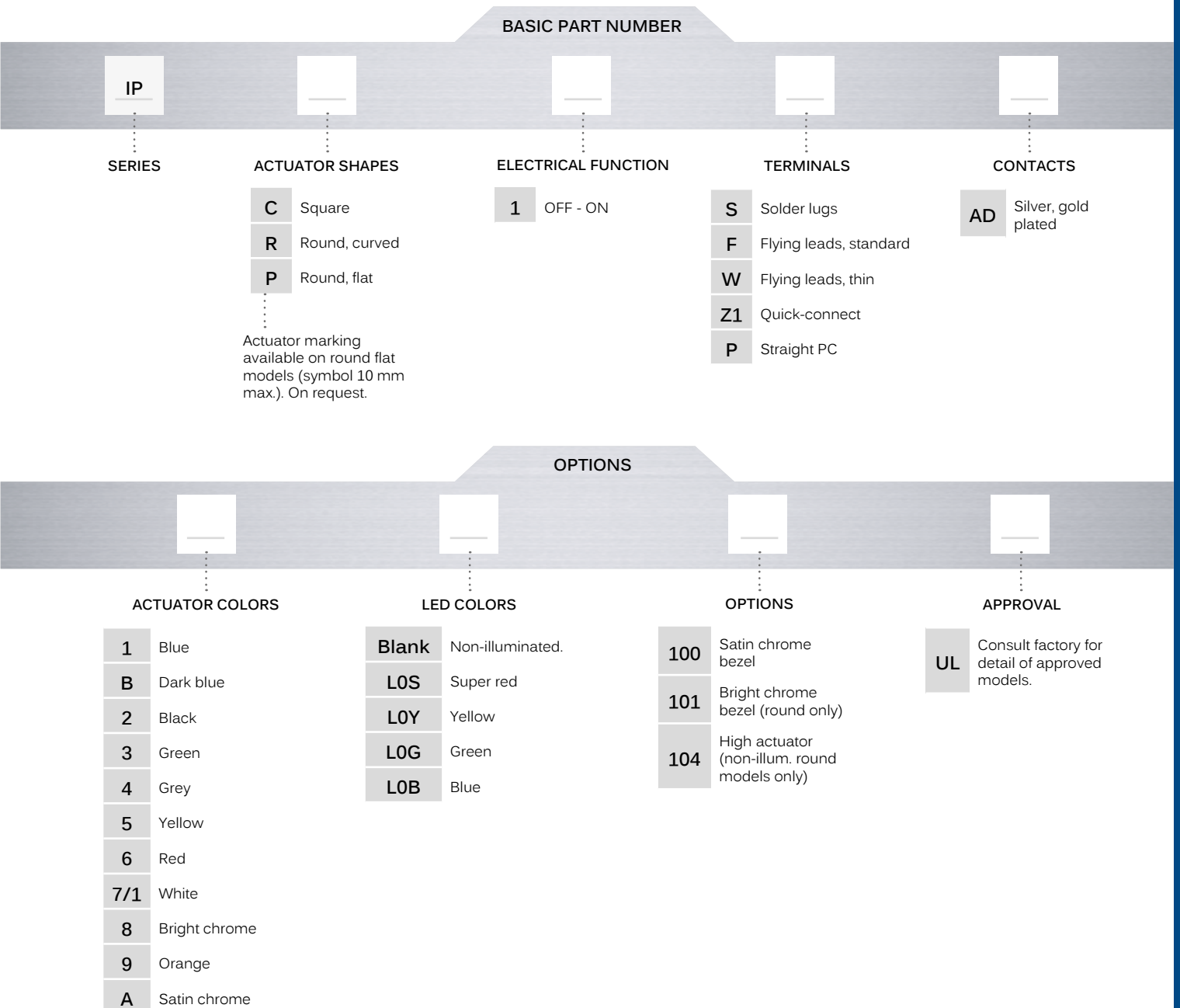
MATRIX MOUNTING - BACK OF PANEL SPACE REQUIREMENT



Pushbutton switches for harsh environments •
bushing Ø 12 mm • latching



BUILD YOUR PART NUMBER



ABOUT THIS SERIES

On the following pages, you will find successively basic part numbers of switches and options in the same order as in above chart.

- ⚠ **Notice** : please note that not all combinations of above numbers are available. Refer to the following pages for further information.
- 💧 **A sealing boot** is available to protect the switches against frost and sand (P/N U5125). See "Sealing Boots" section of website.
- 🔩 **Mounting accessories** : Standard hardware supplied : 1 hex nut 14 mm (551) across flats and 1 O-Ring.

IP series

Pushbutton switches for harsh environments •
bushing Ø 12 mm • latching

ILLUMINATED - SQUARE MODELS



- Solder lug terminals **IPC1SAD** OFF - ON
- Flying lead terminals **IPC1FAD** OFF - ON

For THIN flying leads, replace F with W.
Also available with straight PC : **IPC1PAD** or quick-connect terminals : **IPC1Z1AD**.
Wire colors : black : contact, red : LED anode(+), blue : LED cathode(-)

ILLUMINATED - ROUND MODELS



- Solder lug terminals **IPR1SAD** OFF - ON
- Flying lead terminals **IPR1FAD** OFF - ON

For THIN flying leads, replace F with W.
Also available with straight PC : **IPR1PAD** or quick-connect terminals : **IPR1Z1AD**.
Wire colors : black : contact, red : LED anode(+), blue : LED cathode(-)

NON-ILLUMINATED - SQUARE MODELS



- Solder lug terminals **IPC1SAD** OFF - ON
- Flying lead terminals **IPC1FAD** OFF - ON

For THIN flying leads, replace F with W.
Also available with straight PC : **IPC1PAD** or quick-connect terminals : **IPC1Z1AD**.

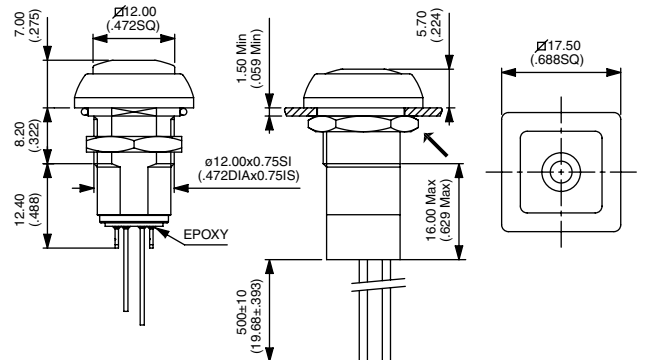
NON-ILLUMINATED - ROUND MODELS



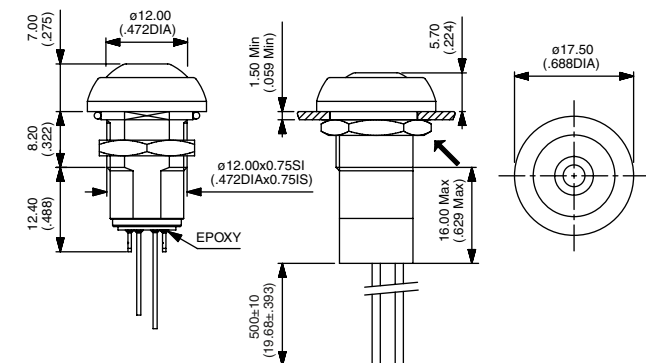
- CURVED ACTUATOR
- Solder lug terminals **IPR1SAD** OFF - ON
- Flying lead terminals **IPR1FAD** OFF - ON
- FLAT ACTUATOR
- Solder lug terminals **IPP1SAD** OFF - ON
- Flying lead terminals **IPP1FAD** OFF - ON

For THIN flying leads, replace F with W.
Also available with straight PC : **IP•1PAD** or quick-connect terminals : **IP•1Z1AD**

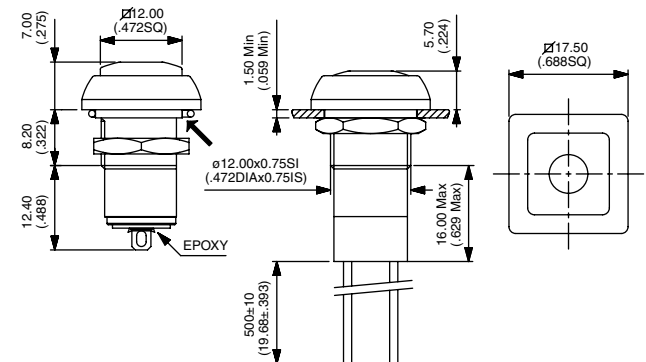
→ FLAT All drawings with standard flying lead terminals.



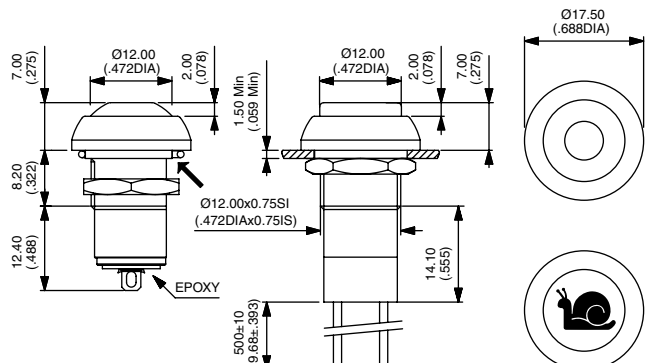
→ FLAT



→ FLAT



→ FLAT



IP series

Pushbutton switches for harsh environments •
bushing Ø 12 mm • latching

ACTUATOR COLORS



- | | | | |
|---|-----------|-----|---------------|
| 1 | Blue | 6 | Red |
| B | Dark blue | 7/1 | White |
| 2 | Black | 8 | Bright chrome |
| 3 | Green | 9 | Orange |
| 4 | Grey | A | Satin chrome |
| 5 | Yellow | | |

LED COLORS

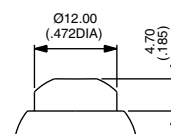


- | | |
|-------|-----------------|
| Blank | Non-illuminated |
| LOS | Super red |
| L0Y | Yellow |
| LOG | Green |
| LOB | Blue |

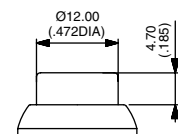
OPTIONS



- | | |
|-----|---|
| 100 | Satin chrome bezel |
| 101 | Bright chrome bezel (round only) |
| 104 | High actuator - For round, non-illuminated only |



104 IPR



104 IPP



AGENCY APPROVAL



- UL**
Consult factory for details of approved models.
To order switches marked UL, complete above box with "UL".

Looking for pricing, stock, or lifecycle information?

Click below to explore more details on WIN SOURCE:

-  [View IPC1SAD2 on WIN SOURCE](#)
-  [Apem Inc. Information](#)

Optimize Your Supply Chain with WIN SOURCE Solutions

-  Global Sourcing Solution
-  Obsolete Management
-  Cost Control Management
-  Shortage Management
-  Alternative Solution
-  Excess Inventory Management