



**THE DATASHEET OF
ET60T-D02-0-00-D02-L-R1-S-H**



DO NOT SCALE FROM THIS PRINT

ET60T-XXX-X-XX-XXX-X-RX-X-X

POWER OPTION (LEFT)
-AXX: AC POWER
-DXX: DC POWER
*SXX: SPLIT POWER
-000: NO POWER
(SEE NOTE 3)

ROWS
-0: NO SIGNAL
-3: 3 ROWS
-5: 5 ROWS

SIGNAL POS PER ROW
-00: NO SIGNAL
-XX: SEE NOTE 4

OPTIONS
-H: HOT SWAP
(NOT RELEASED FOR -5 SIGNAL ROW)
(LEAVE BLANK FOR NO HOT SWAP)

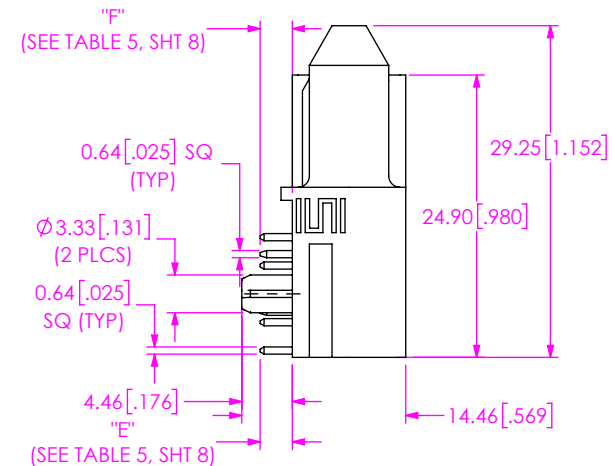
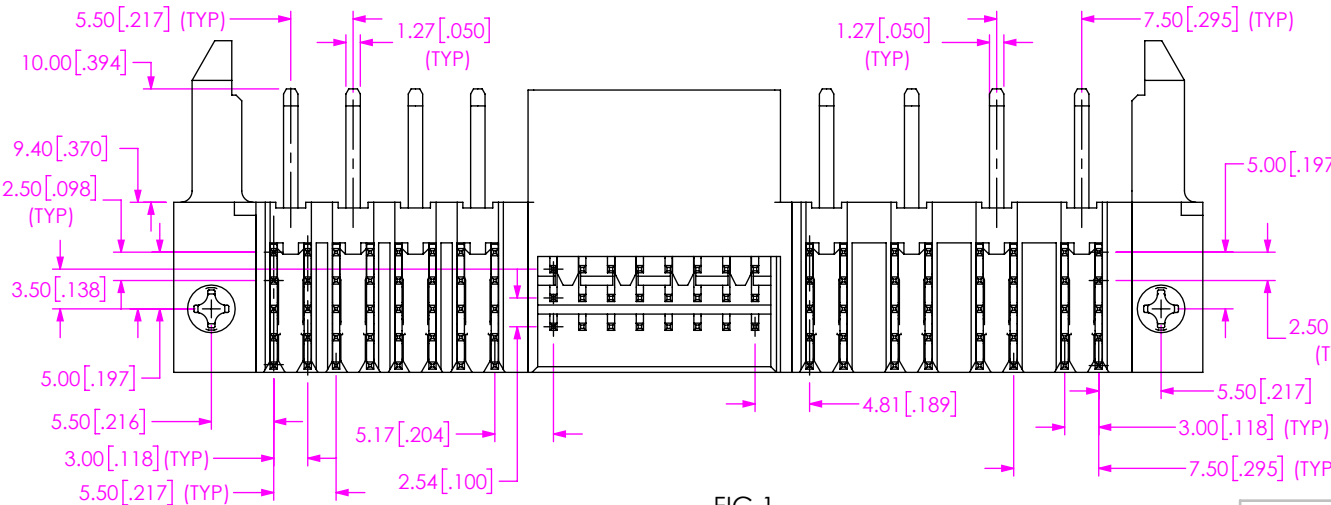
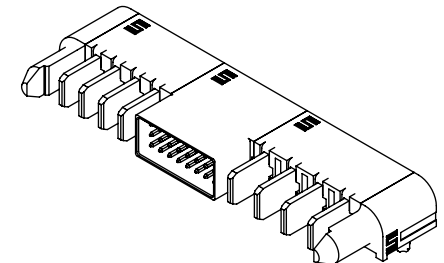
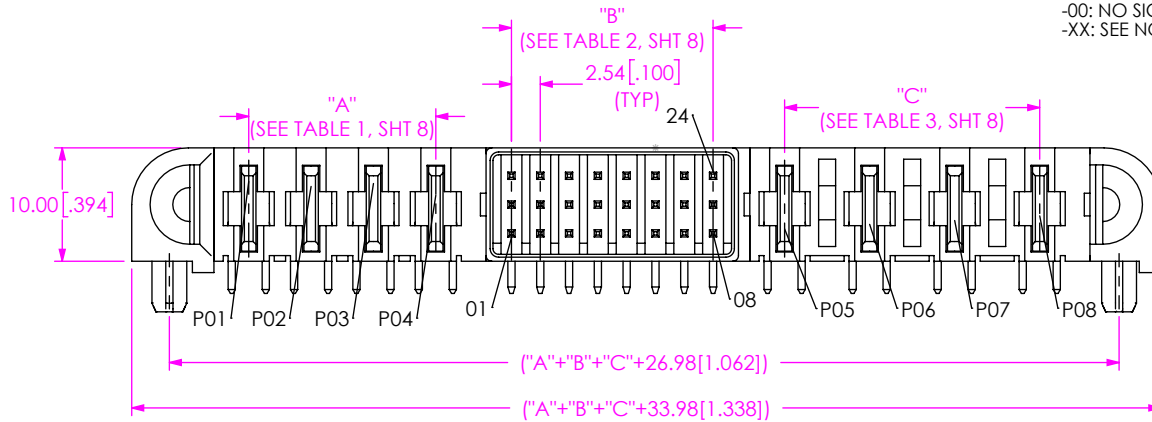
GUIDE POST
(MUST CHOOSE ONE)
-T: TOP (NOT AVAILABLE WITH -SXX)
-S: SIDE

TAIL
-R1: FOR .062" PCB
-R2: FOR .093" PCB
(NOT AVAILABLE FOR -3 SIGNAL ROW)
-RP: PRESS FIT
(NOT AVAILABLE FOR -3 SIGNAL ROW)

POWER OPTION (RIGHT)
-AXX: AC POWER
-DXX: DC POWER
*SXX: SPLIT POWER
-000: NO POWER
(SEE NOTE 3)

(* = NOT RELEASED)

PLATING SPECIFICATION
-L: 10 μ" SELECTIVE GOLD IN CONTACT AREA, MATTE TIN ON TAIL
-S: 30 μ" SELECTIVE GOLD IN CONTACT AREA, MATTE TIN ON TAIL



NOTES:

- SEE PRODUCT SPECIFICATION FOR CONNECTOR PRESS FIT INSTRUCTIONS AND REQUIRED FIXTURES.
- ASSEMBLIES TO BE PACKAGED IN TRAYS.
- AC POWER: *01, -02, -03, -04, -05, -06;
-DC POWER: *01, -02, -03, -04, -05, -06, -07, -08, -09, -10.
SPLIT POWER: *01, *02, *03.
- 3 ROWS: *02, *04, *06, -08, *10, *12;
-5 ROWS: -01, -02, -03, -04, -05, -06, -07, -08
- ORDERS WILL BE PACKAGED ACCORDING TO THE SAMTEC PACKAGING EFFICIENCY STANDARDS (SPES) FOUND ON WWW.SAMTEC.COM.

FIG 1
ET60T-D04-3-08-A04-X-R1-S SHOWN

PROPRIETARY NOTE

THIS DOCUMENT CONTAINS CONFIDENTIAL AND PROPRIETARY INFORMATION AND ALL DESIGN, MANUFACTURING, REPRODUCTION, USE, PATENT RIGHTS AND SALES RIGHTS ARE EXPRESSLY RESERVED BY SAMTEC, INC. THIS DOCUMENT SHALL NOT BE DISCLOSED, IN WHOLE OR PART, TO ANY UNAUTHORIZED PERSON OR ENTITY NOR REPRODUCED, TRANSFERRED OR INCORPORATED IN ANY OTHER PROJECT IN ANY MANNER WITHOUT THE EXPRESS WRITTEN CONSENT OF SAMTEC, INC.

DO NOT SCALE DRAWING
SHEET SCALE: 3:2

MATERIAL:
INSULATOR: LCP, COLOR: BLACK
SIGNAL TERMINAL: COPPER ALLOY
POWER TERMINAL: COPPER ALLOY



520 PARK EAST BLVD, NEW ALBANY, IN 47150
PHONE: 812-944-6733 FAX: 812-948-5047
e-Mail info@SAMTEC.com code 55322

DESCRIPTION:
ET60 RA POWER/SIGNAL HEADER

DWG. NO.
ET60T-XXX-X-XX-XXX-X-RX-X-X

BY: TOBIN Q 8/30/2023 SHEET 1 OF 11

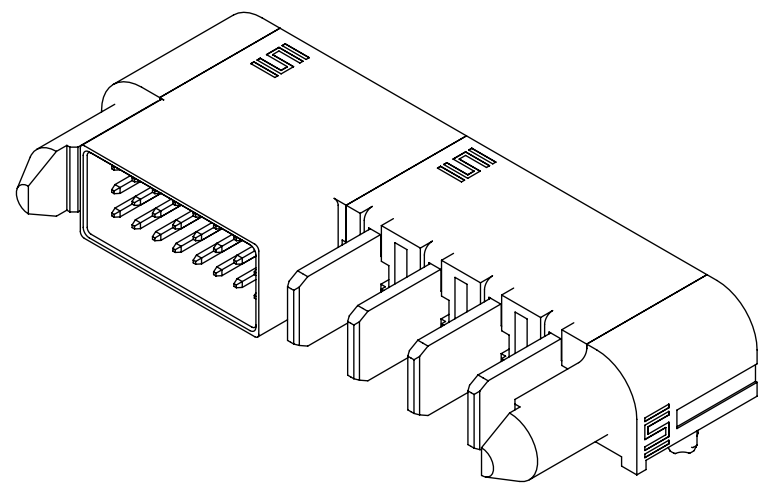
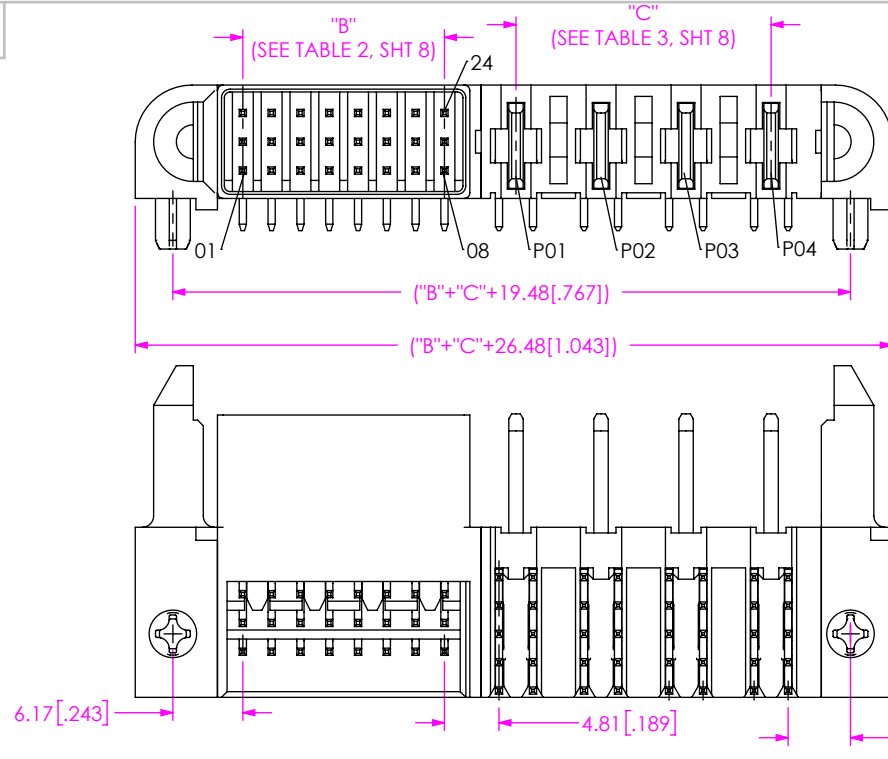


FIG 2
ET60T-000-3-08-A04-X-R1-S SHOWN
(DIFFERENT AS SHOWN, OTHERWISE SAME AS FIG 1)

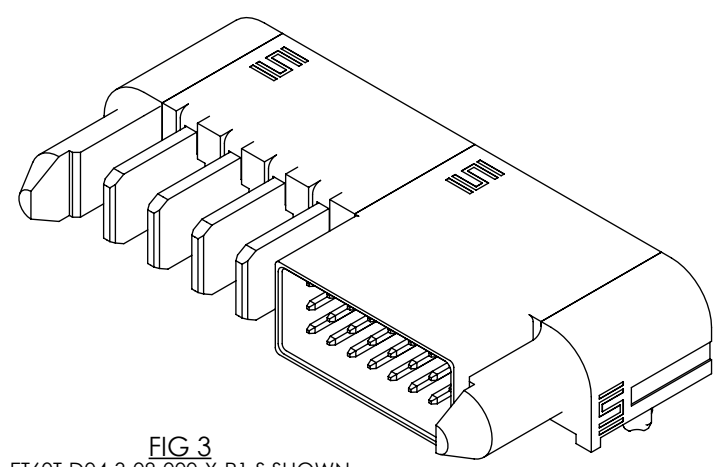
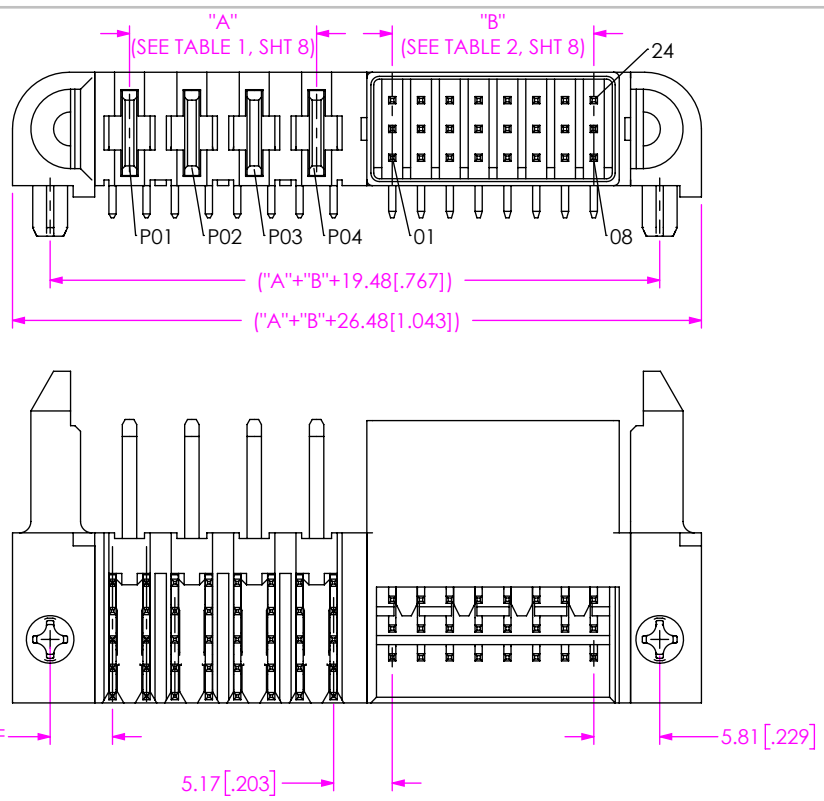


FIG 3
ET60T-D04-3-08-000-X-R1-S SHOWN
(DIFFERENT AS SHOWN, OTHERWISE SAME AS FIG 1)

PROPRIETARY NOTE
THIS DOCUMENT CONTAINS CONFIDENTIAL AND PROPRIETARY INFORMATION AND ALL DESIGN, MANUFACTURING, REPRODUCTION, USE, PATENT RIGHTS AND SALES RIGHTS ARE EXPRESSLY RESERVED BY SAMTEC, INC. THIS DOCUMENT SHALL NOT BE DISCLOSED, IN WHOLE OR PART, TO ANY UNAUTHORIZED PERSON OR ENTITY NOR REPRODUCED, TRANSFERRED OR INCORPORATED IN ANY OTHER PROJECT IN ANY MANNER WITHOUT THE EXPRESS WRITTEN CONSENT OF SAMTEC, INC.



520 PARK EAST BLVD, NEW ALBANY, IN 47150
PHONE: 812-944-6733 FAX: 812-948-5047
e-Mail info@SAMTEC.com code 55322

SHEET SCALE: 3:2

DESCRIPTION:
ET60 RA POWER/SIGNAL HEADER

DWG. NO.
ET60T-XXX-X-XX-XXX-X-RX-X-X

BY: TOBIN Q 8/30/2023 SHEET 2 OF 11

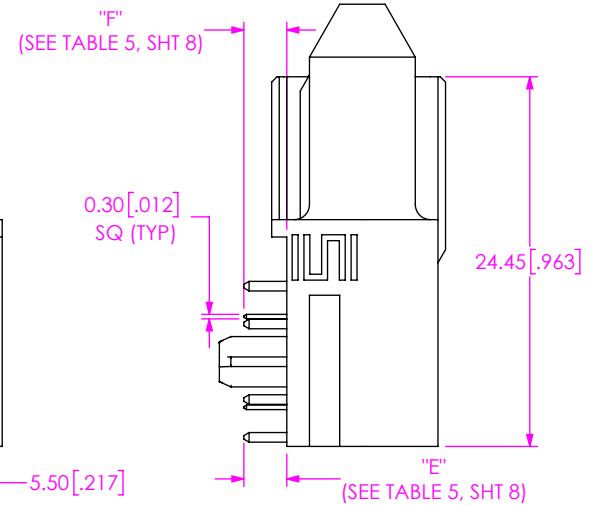
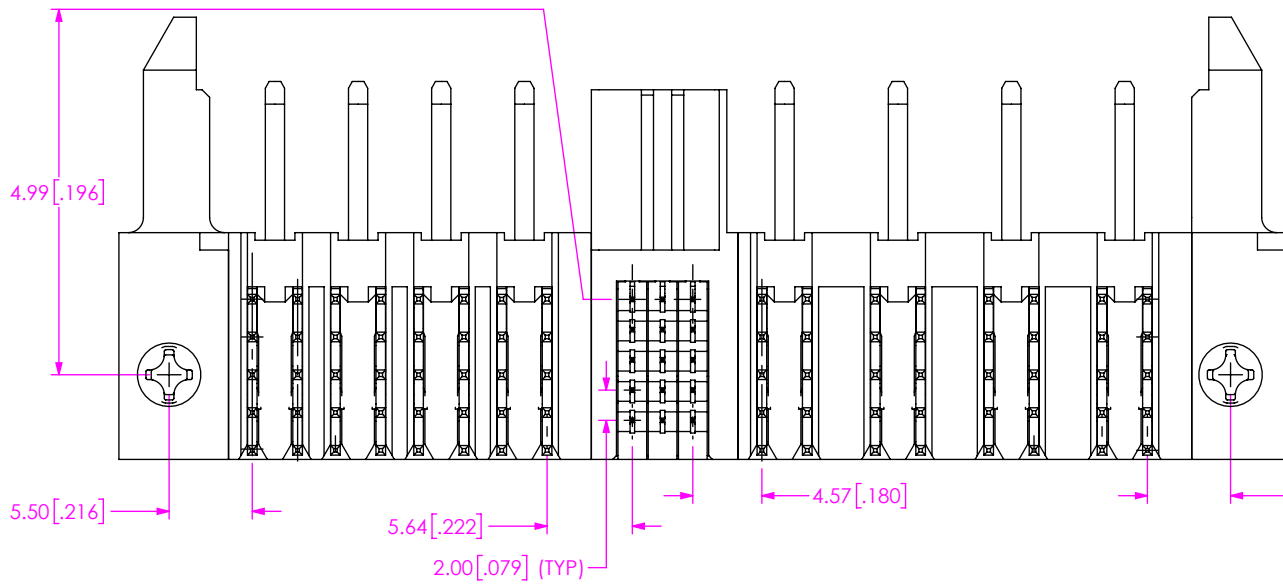
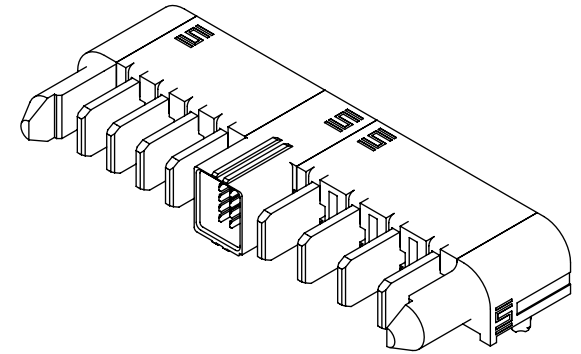
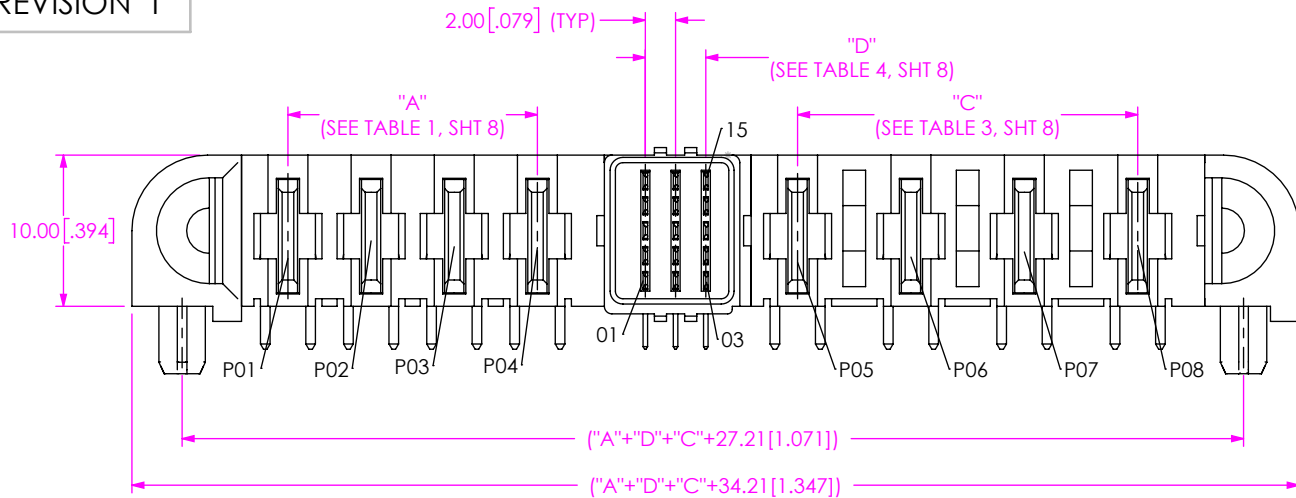


FIG 4
ET60T-D04-5-03-A04-X-RX-S SHOWN
(DIFFERENT AS SHOWN, OTHERWISE SAME AS FIG 1)

PROPRIETARY NOTE
THIS DOCUMENT CONTAINS CONFIDENTIAL AND PROPRIETARY INFORMATION AND ALL DESIGN, MANUFACTURING, REPRODUCTION, USE, PATENT RIGHTS AND SALES RIGHTS ARE EXPRESSLY RESERVED BY SAMTEC, INC. THIS DOCUMENT SHALL NOT BE DISCLOSED, IN WHOLE OR PART, TO ANY UNAUTHORIZED PERSON OR ENTITY NOR REPRODUCED, TRANSFERRED OR INCORPORATED IN ANY OTHER PROJECT IN ANY MANNER WITHOUT THE EXPRESS WRITTEN CONSENT OF SAMTEC, INC.



520 PARK EAST BLVD., NEW ALBANY, IN 47150
PHONE: 812-944-6733 FAX: 812-948-5047
e-Mail info@SAMTEC.com code 55322

SHEET SCALE: 3:2

DESCRIPTION:
ET60 RA POWER/SIGNAL HEADER

DWG. NO.
ET60T-XXX-X-XX-XXX-X-RX-X-X

BY: TOBIN Q 8/30/2023 SHEET 3 OF 11

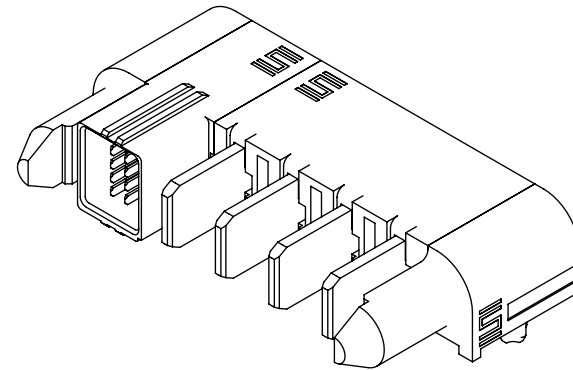
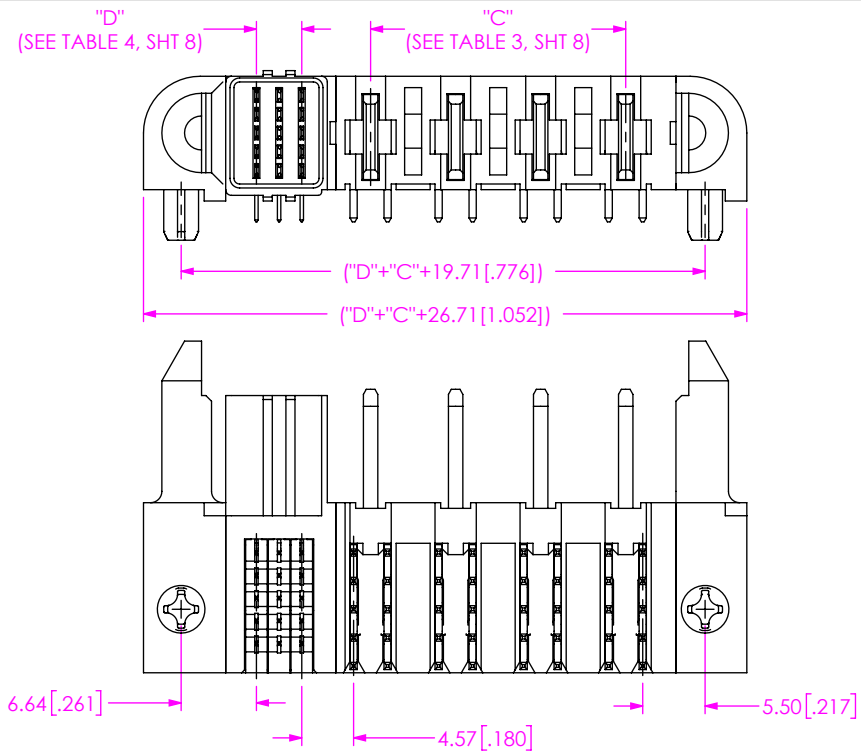


FIG 5
ET60T-000-5-03-A04-X-RX-S SHOWN
(DIFFERENT AS SHOWN, OTHERWISE SAME AS FIG 4)

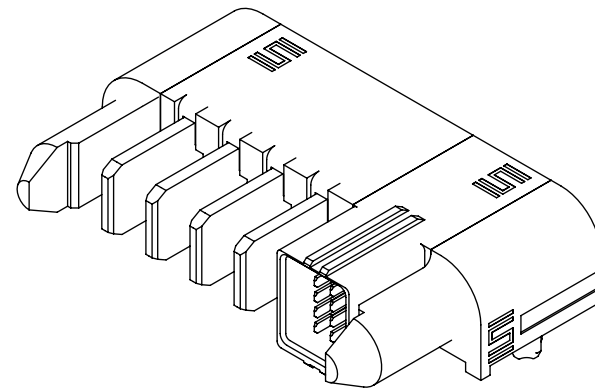
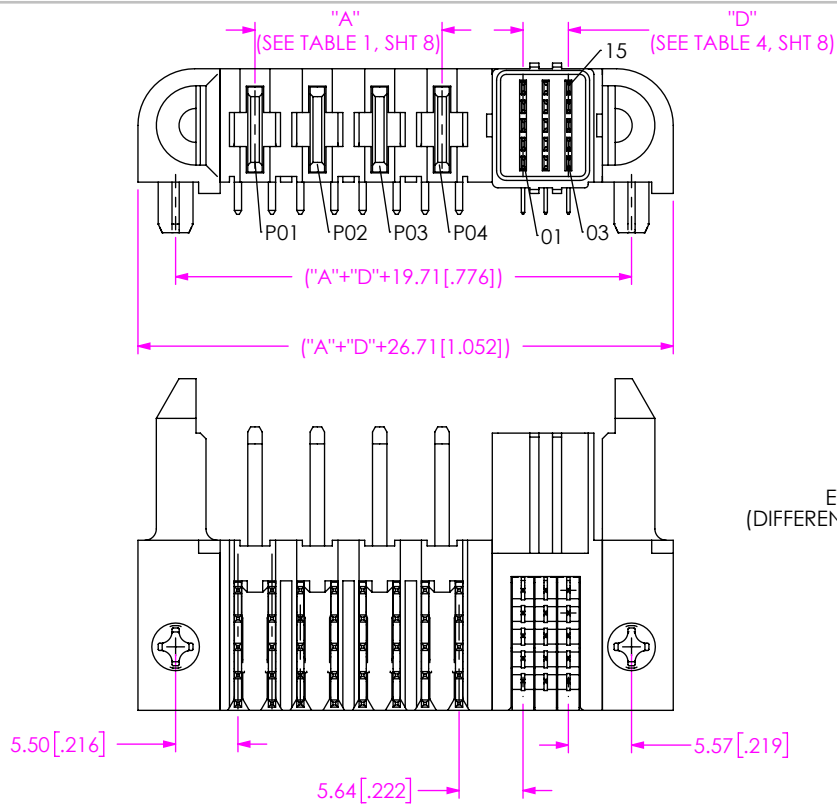


FIG 6
ET60T-D04-5-03-000-X-RX-S SHOWN
(DIFFERENT AS SHOWN, OTHERWISE SAME AS FIG 4)

PROPRIETARY NOTE
THIS DOCUMENT CONTAINS CONFIDENTIAL AND PROPRIETARY INFORMATION AND ALL DESIGN, MANUFACTURING, REPRODUCTION, USE, PATENT RIGHTS AND SALES RIGHTS ARE EXPRESSLY RESERVED BY SAMTEC, INC. THIS DOCUMENT SHALL NOT BE DISCLOSED, IN WHOLE OR PART, TO ANY UNAUTHORIZED PERSON OR ENTITY NOR REPRODUCED, TRANSFERRED OR INCORPORATED IN ANY OTHER PROJECT IN ANY MANNER WITHOUT THE EXPRESS WRITTEN CONSENT OF SAMTEC, INC.

SHEET SCALE: 3:2

samtec

520 PARK EAST BLVD, NEW ALBANY, IN 47150
PHONE: 812-944-6733 FAX: 812-948-5047
e-Mail: info@SAMTEC.com code 55322

DESCRIPTION:
ET60 RA POWER/SIGNAL HEADER

DWG. NO.
ET60T-XXX-X-XX-XXX-X-RX-X-X

BY: TOBIN Q 8/30/2023 SHEET 4 OF 11

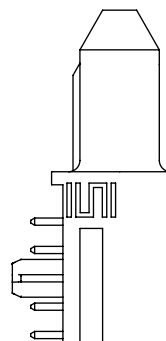
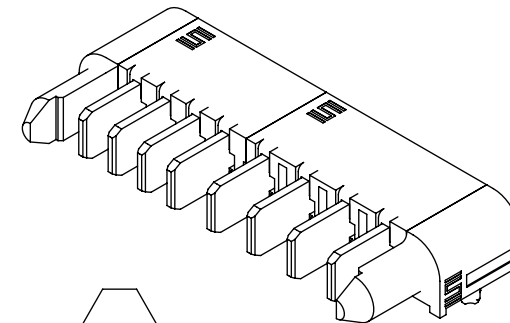
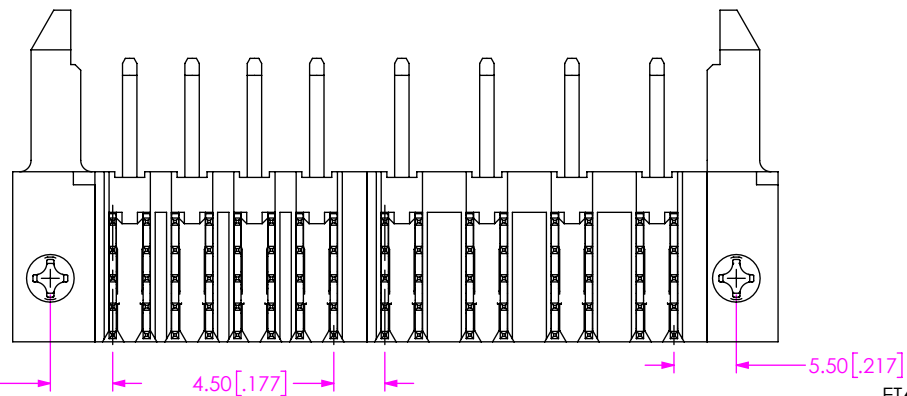
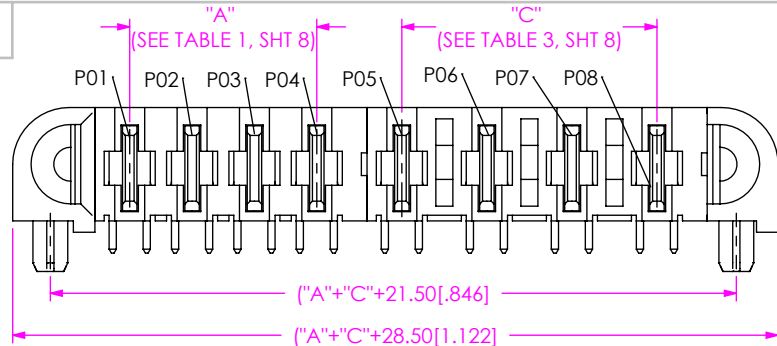


FIG 7
ET60T-D04-0-00-A04-X-R1-S SHOWN
(DIFFERENT AS SHOWN, OTHERWISE SAME AS FIG 1)

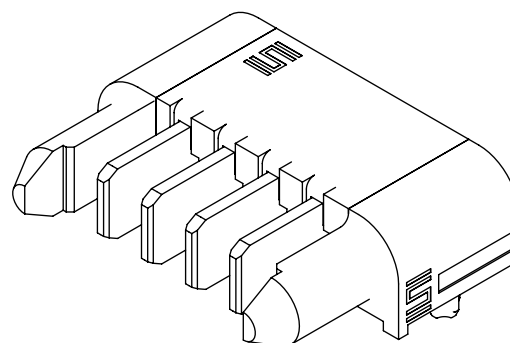
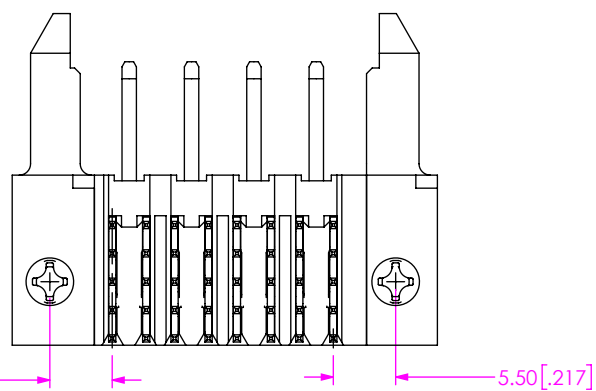
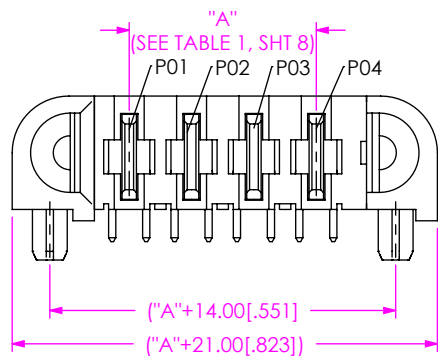


FIG 8
ET60T-D04-0-00-000-X-R1-S SHOWN
(DIFFERENT AS SHOWN, OTHERWISE SAME AS FIG 1)

PROPRIETARY NOTE
THIS DOCUMENT CONTAINS CONFIDENTIAL AND PROPRIETARY INFORMATION AND ALL DESIGN, MANUFACTURING, REPRODUCTION, USE, PATENT RIGHTS AND SALES RIGHTS ARE EXPRESSLY RESERVED BY SAMTEC, INC. THIS DOCUMENT SHALL NOT BE DISCLOSED, IN WHOLE OR PART, TO ANY UNAUTHORIZED PERSON OR ENTITY NOR REPRODUCED, TRANSFERRED OR INCORPORATED IN ANY OTHER PROJECT IN ANY MANNER WITHOUT THE EXPRESS WRITTEN CONSENT OF SAMTEC, INC.

SHEET SCALE: 3:2



520 PARK EAST BLVD., NEW ALBANY, IN 47150
PHONE: 812-944-6733 FAX: 812-948-5047
e-Mail: info@SAMTEC.com code 55322

DESCRIPTION:
ET60 RA POWER/SIGNAL HEADER

DWG. NO.
ET60T-XXX-X-XX-XXX-X-RX-X-X

BY: TOBIN Q 8/30/2023 SHEET 5 OF 11

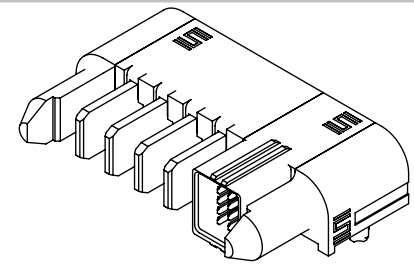
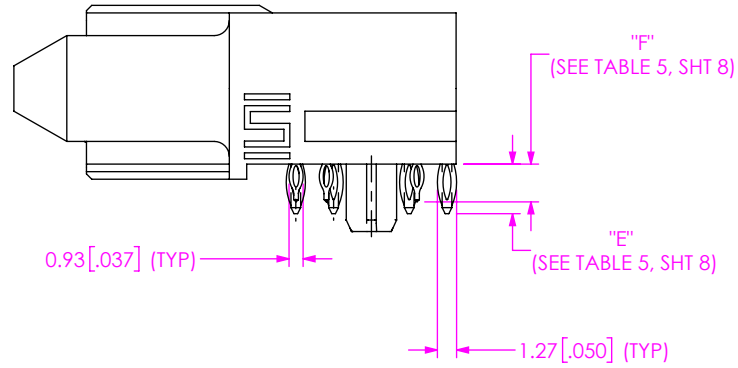
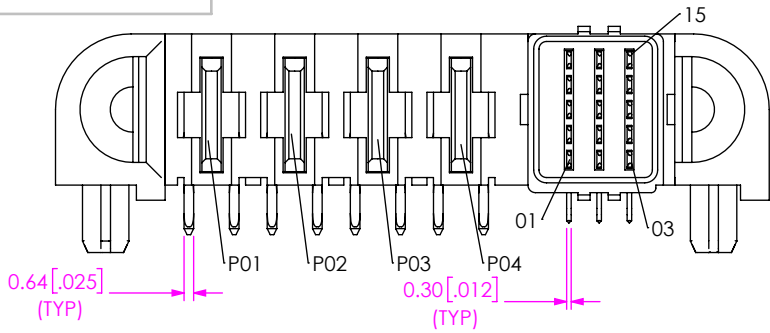


FIG 9
ET60T-D04-5-03-000-X-RP-S SHOWN
(DIFFERENT AS SHOWN, OTHERWISE SAME AS FIG 4)

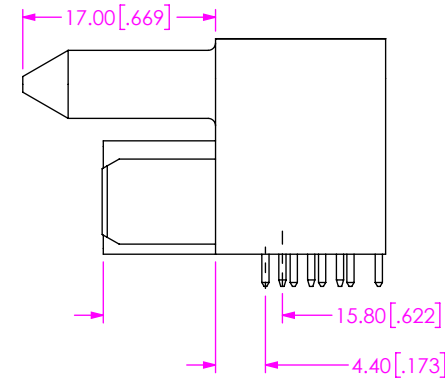
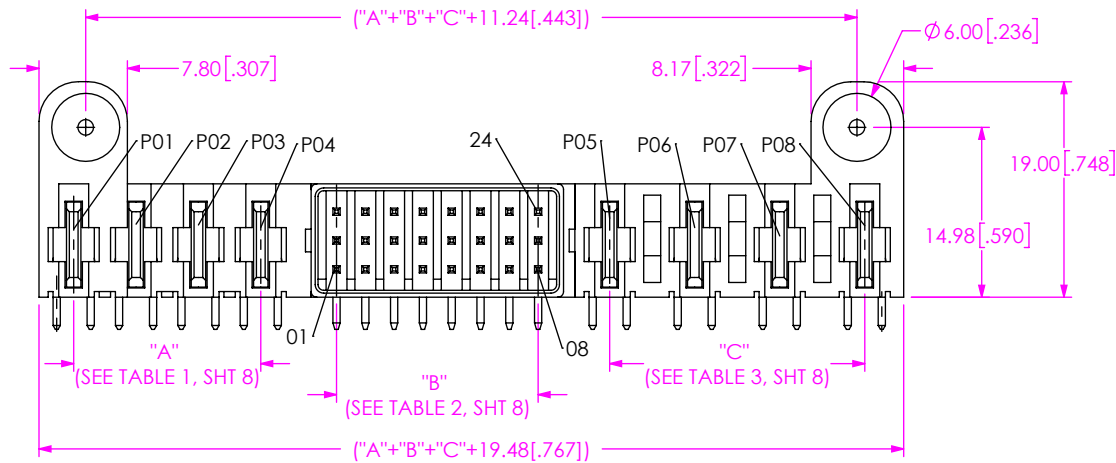
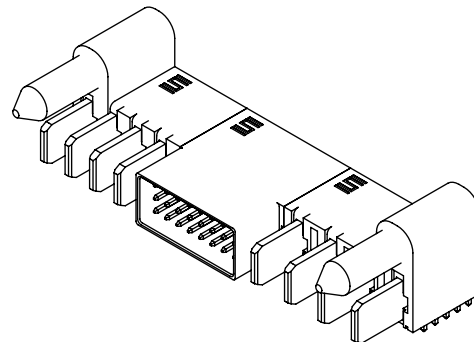


FIG 10
ET60T-D04-3-08-A04-X-R1-T SHOWN
(DIFFERENT AS SHOWN, OTHERWISE SAME AS FIG 1)



F:\DWG\MISC\MKTG\ET60T-XXX-X-XX-XXX-X-RX-X-X-MKT.SLDDRW

<p>PROPRIETARY NOTE</p> <p>THIS DOCUMENT CONTAINS CONFIDENTIAL AND PROPRIETARY INFORMATION AND ALL DESIGN, MANUFACTURING, REPRODUCTION, USE, PATENT RIGHTS AND SALES RIGHTS ARE EXPRESSLY RESERVED BY SAMTEC, INC. THIS DOCUMENT SHALL NOT BE DISCLOSED, IN WHOLE OR PART, TO ANY UNAUTHORIZED PERSON OR ENTITY NOR REPRODUCED, TRANSFERRED OR INCORPORATED IN ANY OTHER PROJECT IN ANY MANNER WITHOUT THE EXPRESS WRITTEN CONSENT OF SAMTEC, INC.</p>		
	<p>520 PARK EAST BLVD., NEW ALBANY, IN 47150 PHONE: 812-944-6733 FAX: 812-948-5047 e-Mail: info@SAMTEC.com code 55322</p>	
	<p>DESCRIPTION: ET60 RA POWER/SIGNAL HEADER</p>	<p>DWG. NO. ET60T-XXX-X-XX-XXX-X-RX-X-X</p>
<p>SHEET SCALE: 3:2</p>		

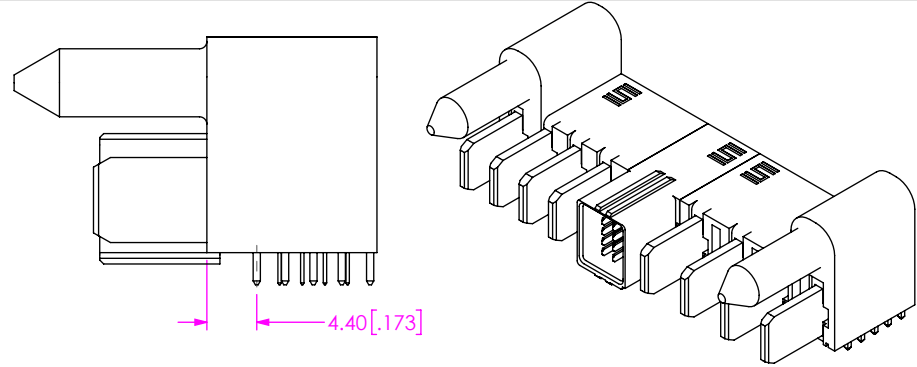
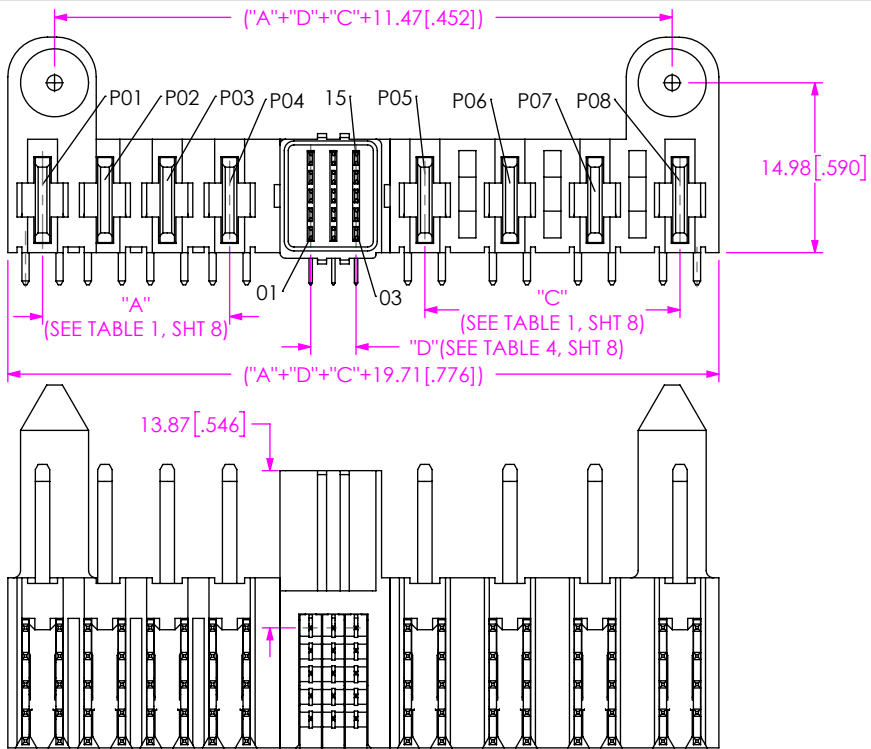
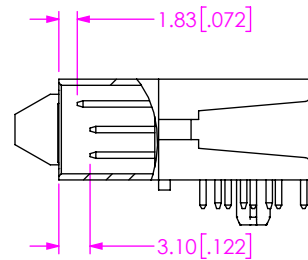
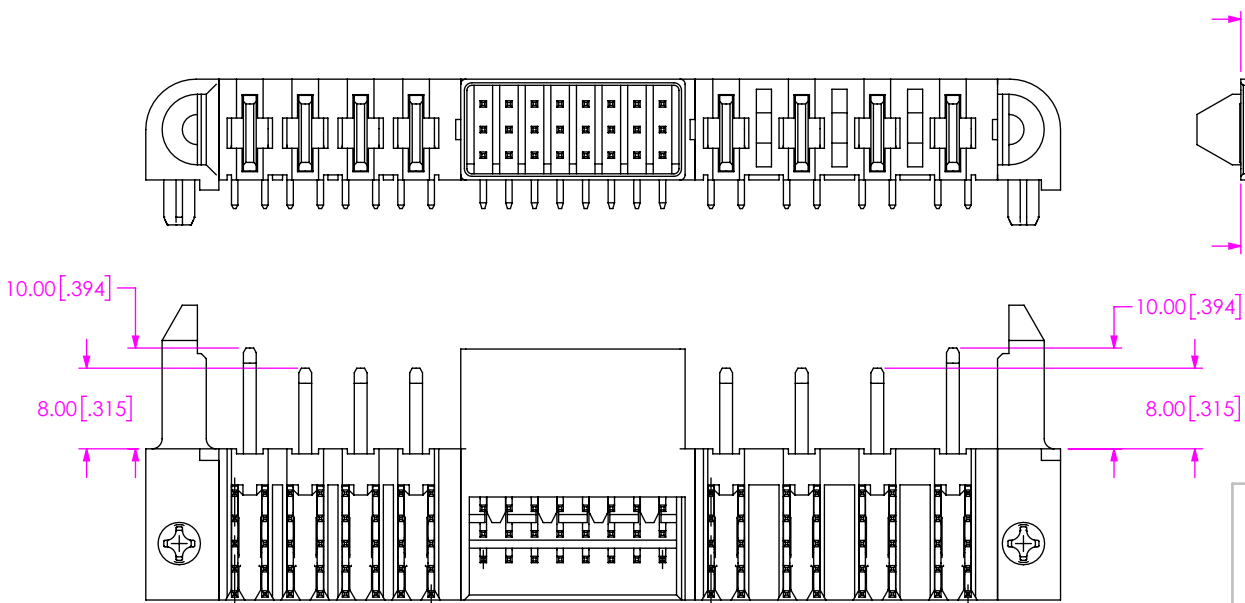


FIG 11
ET60T-D04-5-03-A04-X-RX-T SHOWN
(DIFFERENT AS SHOWN, OTHERWISE SAME AS FIG 4)



AC POWER(RIGHT) & RIGHT GUIDE
POST NOT SHOWN FOR CLARITY

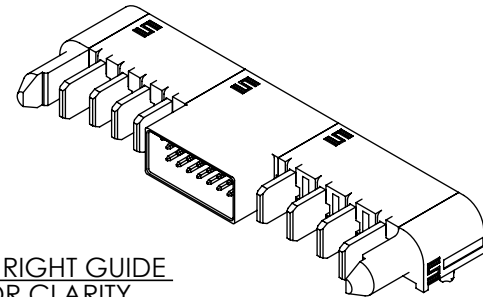


FIG 12
ET60T-D04-3-08-A04-X-R1-S-H SHOWN
(DIFFERENT AS SHOWN, OTHERWISE SAME AS FIG 1)

PROPRIETARY NOTE
THIS DOCUMENT CONTAINS CONFIDENTIAL AND PROPRIETARY INFORMATION AND ALL DESIGN, MANUFACTURING, REPRODUCTION, USE, PATENT RIGHTS AND SALES RIGHTS ARE EXPRESSLY RESERVED BY SAMTEC, INC. THIS DOCUMENT SHALL NOT BE DISCLOSED, IN WHOLE OR PART, TO ANY UNAUTHORIZED PERSON OR ENTITY NOR REPRODUCED, TRANSFERRED OR INCORPORATED IN ANY OTHER PROJECT IN ANY MANNER WITHOUT THE EXPRESS WRITTEN CONSENT OF SAMTEC, INC.

SHEET SCALE: 3:2

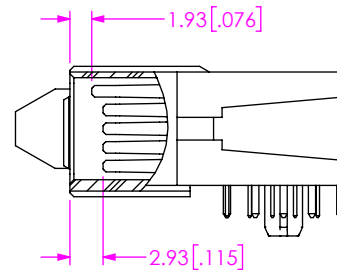
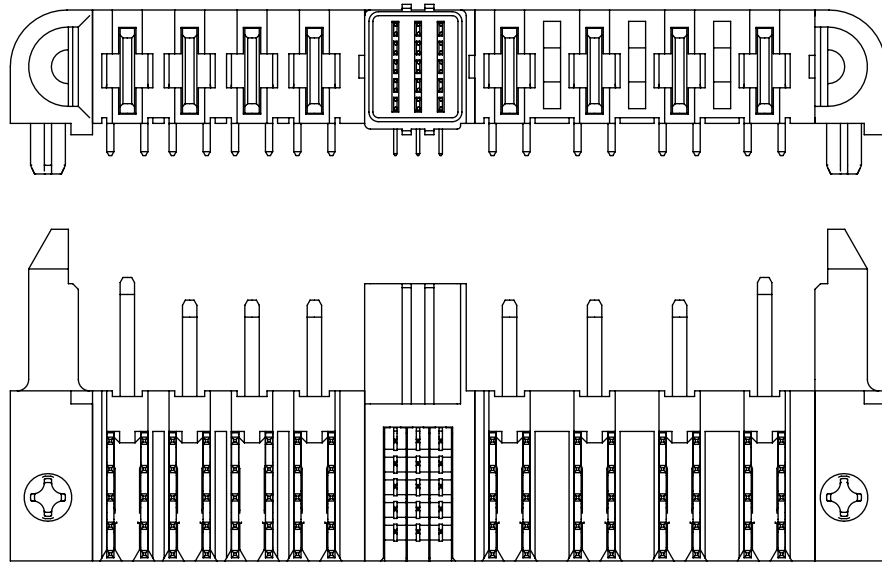
samtec

520 PARK EAST BLVD, NEW ALBANY, IN 47150
PHONE: 812-944-6733 FAX: 812-948-5047
e-Mail info@SAMTEC.com code 55322

DESCRIPTION:
ET60 RA POWER/SIGNAL HEADER

DWG. NO.
ET60T-XXX-X-XX-XXX-X-RX-X-X

BY: TOBIN Q 8/30/2023 SHEET 7 OF 11



AC POWER(RIGHT) & RIGHT GUIDE POST NOT SHOWN FOR CLARITY

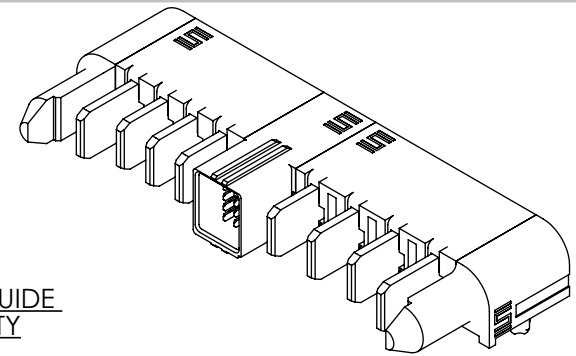


FIG 13
ET60T-D04-5-03-A04-X-RX-S-H SHOWN
(DIFFERENT AS SHOWN, OTHERWISE SAME AS FIG 12)

TABLE 1
(SEE NOTE 3)

POWER POS (LEFT)	"A"	
	DC POWER	AC POWER
-01	N/A	N/A
-02	5.50 [.217]	7.50 [.295]
-03	11.00 [.433]	15.00 [.591]
-04	16.50 [.650]	22.50 [.886]
-05	22.00 [.866]	30.00 [1.181]
-06	27.50 [1.083]	37.50 [1.476]
-07	33.00 [1.299]	/
-08	38.50 [1.516]	/
-09	44.00 [1.732]	/
-10	49.50 [1.949]	/

TABLE 2
(SEE NOTE 4)

SIGNAL POS (-3 ROWS)	"B"
-02	2.54 [.100]
-04	7.62 [.300]
-06	12.70 [.500]
-08	17.78 [.700]
-10	22.86 [.900]
-12	27.94 [1.100]

TABLE 3
(SEE NOTE 3)

POWER POS (RIGHT)	"C"	
	DC POWER	AC POWER
-01	N/A	N/A
-02	5.50 [.217]	7.50 [.295]
-03	11.00 [.433]	15.00 [.591]
-04	16.50 [.650]	22.50 [.886]
-05	22.00 [.866]	30.00 [1.181]
-06	27.50 [1.083]	37.50 [1.476]
-07	33.00 [1.299]	/
-08	38.50 [1.516]	/
-09	44.00 [1.732]	/
-10	49.50 [1.949]	/

TABLE 4
(SEE NOTE 4)

SIGNAL POS (-5 ROWS)	"D"
-01	N/A
-02	2.00 [.079]
-03	4.00 [.157]
-04	6.00 [.236]
-05	8.00 [.315]
-06	10.00 [.394]
-07	12.00 [.472]
-08	14.00 [.551]

TABLE 7 (SEE NOTE 3)

NO OF SPLIT POWER (LEFT)	"G"
-01	N/A
-02	8.00 [.315]
-03	16.00 [.630]
-04	24.00 [.945]

TABLE 8 (SEE NOTE 3)

NO OF SPLIT POWER (RIGHT)	"H"
-01	N/A
-02	8.00 [.315]
-03	16.00 [.630]
-04	24.00 [.945]

TABLE 5

TAIL	"E"	"F"
-R1	2.84 [.112]	2.84 [.112]
-R2	3.61 [.142]	3.41 [.134]
-RP	3.28 [.129]	2.50 [.098]

PROPRIETARY NOTE

THIS DOCUMENT CONTAINS CONFIDENTIAL AND PROPRIETARY INFORMATION AND ALL DESIGN, MANUFACTURING, REPRODUCTION, USE, PATENT RIGHTS AND SALES RIGHTS ARE EXPRESSLY RESERVED BY SAMTEC, INC. THIS DOCUMENT SHALL NOT BE DISCLOSED, IN WHOLE OR PART, TO ANY UNAUTHORIZED PERSON OR ENTITY NOR REPRODUCED, TRANSFERRED OR INCORPORATED IN ANY OTHER PROJECT IN ANY MANNER WITHOUT THE EXPRESS WRITTEN CONSENT OF SAMTEC, INC.



520 PARK EAST BLVD, NEW ALBANY, IN 47150
PHONE: 812-944-6733 FAX: 812-948-5047
e-Mail info@SAMTEC.com code 55322

SHEET SCALE: 3:2

DESCRIPTION:
ET60 RA POWER/SIGNAL HEADER

DWG. NO.
ET60T-XXX-X-XX-XXX-X-RX-X-X

BY: TOBIN Q 8/30/2023 SHEET 8 OF 11

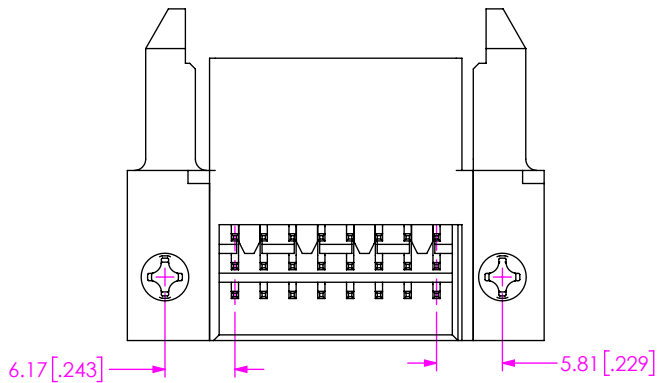
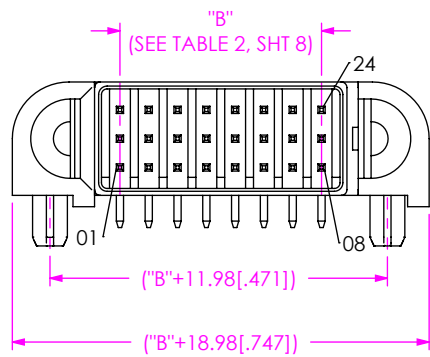


FIG 14
ET60T-000-3-08-000-X-R1-S SHOWN
(DIFFERENT AS SHOWN, OTHERWISE SAME AS FIG 1)

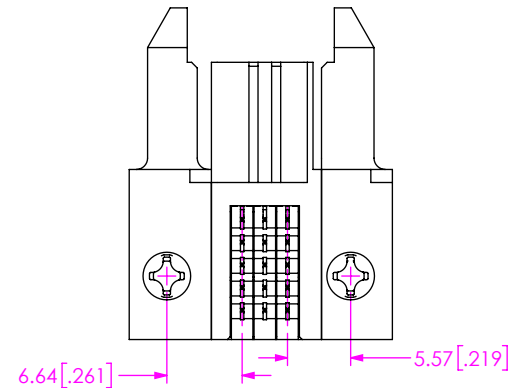
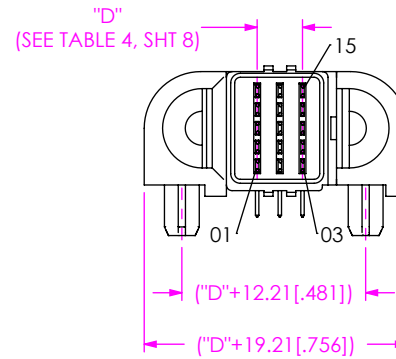


FIG 15
ET60T-000-5-03-000-X-RX-S SHOWN
(DIFFERENT AS SHOWN, OTHERWISE SAME AS FIG 4)

PROPRIETARY NOTE

THIS DOCUMENT CONTAINS CONFIDENTIAL AND PROPRIETARY INFORMATION AND ALL DESIGN, MANUFACTURING, REPRODUCTION, USE, PATENT RIGHTS AND SALES RIGHTS ARE EXPRESSLY RESERVED BY SAMTEC, INC. THIS DOCUMENT SHALL NOT BE DISCLOSED, IN WHOLE OR PART, TO ANY UNAUTHORIZED PERSON OR ENTITY NOR REPRODUCED, TRANSFERRED OR INCORPORATED IN ANY OTHER PROJECT IN ANY MANNER WITHOUT THE EXPRESS WRITTEN CONSENT OF SAMTEC, INC.



520 PARK EAST BLVD, NEW ALBANY, IN 47150
PHONE: 812-944-6733 FAX: 812-948-5047
e-Mail info@SAMTEC.com code 55322

SHEET SCALE: 3:2

DESCRIPTION:
ET60 RA POWER/SIGNAL HEADER

DWG. NO.
ET60T-XXX-X-XX-XXX-X-RX-X-X

BY: TOBIN Q 8/30/2023 SHEET 9 OF 11

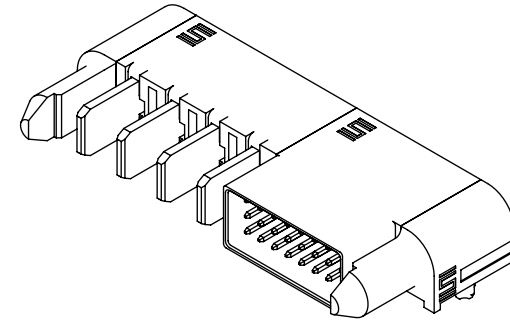
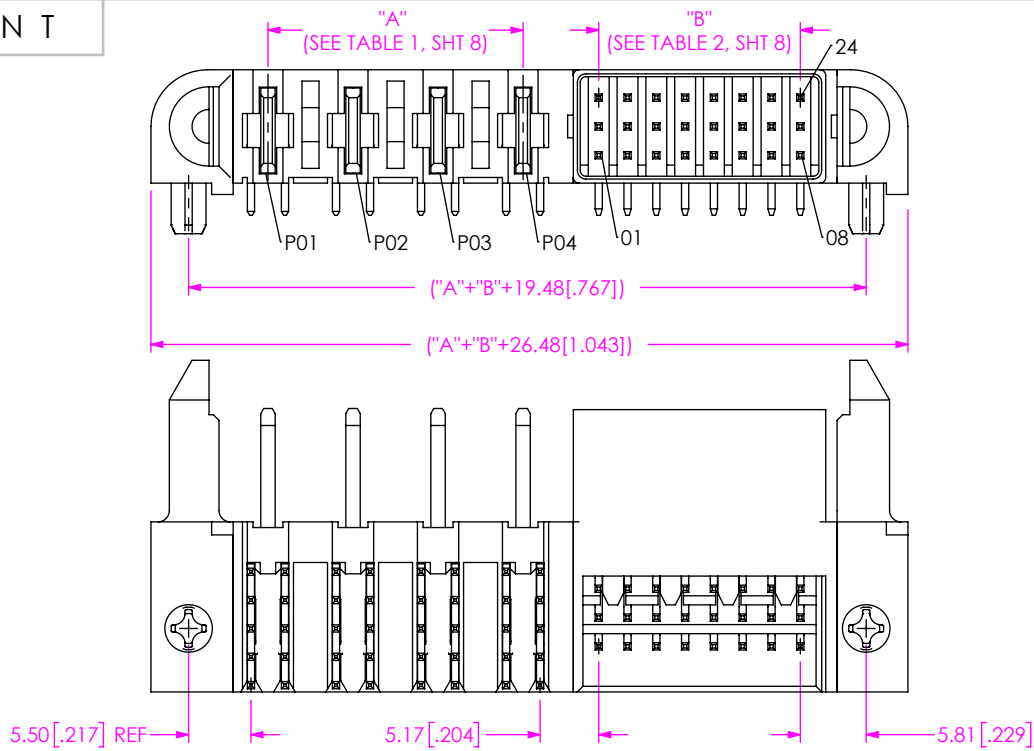


FIG 16
ET60T-A04-3-08-000-X-R1-S SHOWN
(DIFFERENT AS SHOWN, OTHERWISE SAME AS FIG 1)

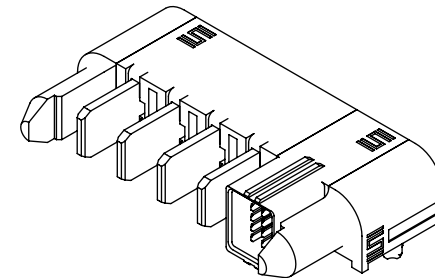
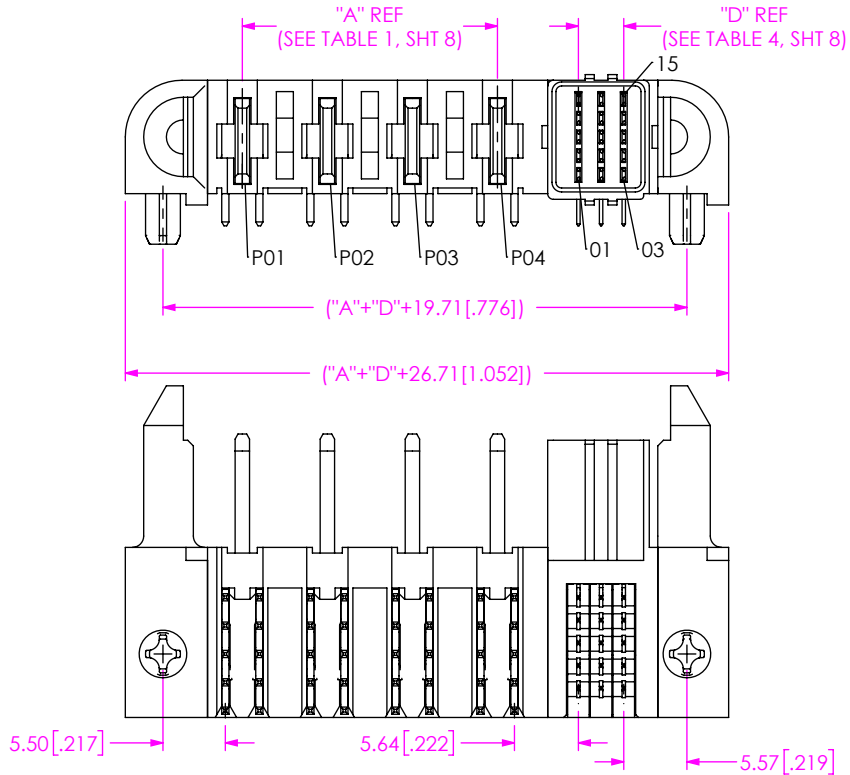
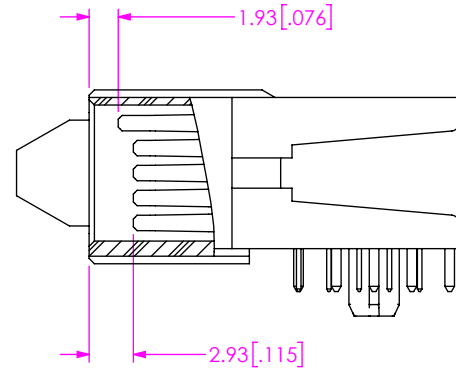
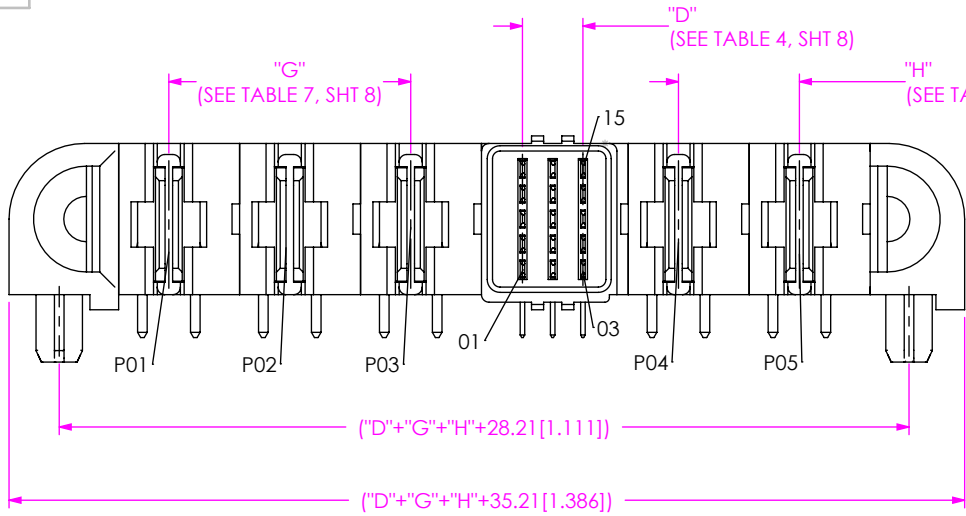


FIG 17
ET60T-A04-5-03-000-X-RX-S SHOWN
(DIFFERENT AS SHOWN, OTHERWISE SAME AS FIG 4)

F:\DWG\MISC\MKTG\ET60T-XXX-X-XX-XXX-X-RX-X-X-MKT.SLDDRW

<p>PROPRIETARY NOTE</p> <p>THIS DOCUMENT CONTAINS CONFIDENTIAL AND PROPRIETARY INFORMATION AND ALL DESIGN, MANUFACTURING, REPRODUCTION, USE, PATENT RIGHTS AND SALES RIGHTS ARE EXPRESSLY RESERVED BY SAMTEC, INC. THIS DOCUMENT SHALL NOT BE DISCLOSED, IN WHOLE OR PART, TO ANY UNAUTHORIZED PERSON OR ENTITY NOR REPRODUCED, TRANSFERRED OR INCORPORATED IN ANY OTHER PROJECT IN ANY MANNER WITHOUT THE EXPRESS WRITTEN CONSENT OF SAMTEC, INC.</p>		
	<p>520 PARK EAST BLVD., NEW ALBANY, IN 47150 PHONE: 812-944-6733 FAX: 812-948-5047 e-Mail: info@SAMTEC.com code 55322</p>	
	<p>SHEET SCALE: 1:1</p>	<p>DESCRIPTION: ET60 RA POWER/SIGNAL HEADER</p>
<p>DWG. NO. ET60T-XXX-X-XX-XXX-X-RX-X-X</p>		
<p>BY: TOBIN Q 8/30/2023 SHEET 10 OF 11</p>		



SPLIT POWER (RIGHT) & RIGHT GUIDE POST NOT SHOWN FOR CLARITY

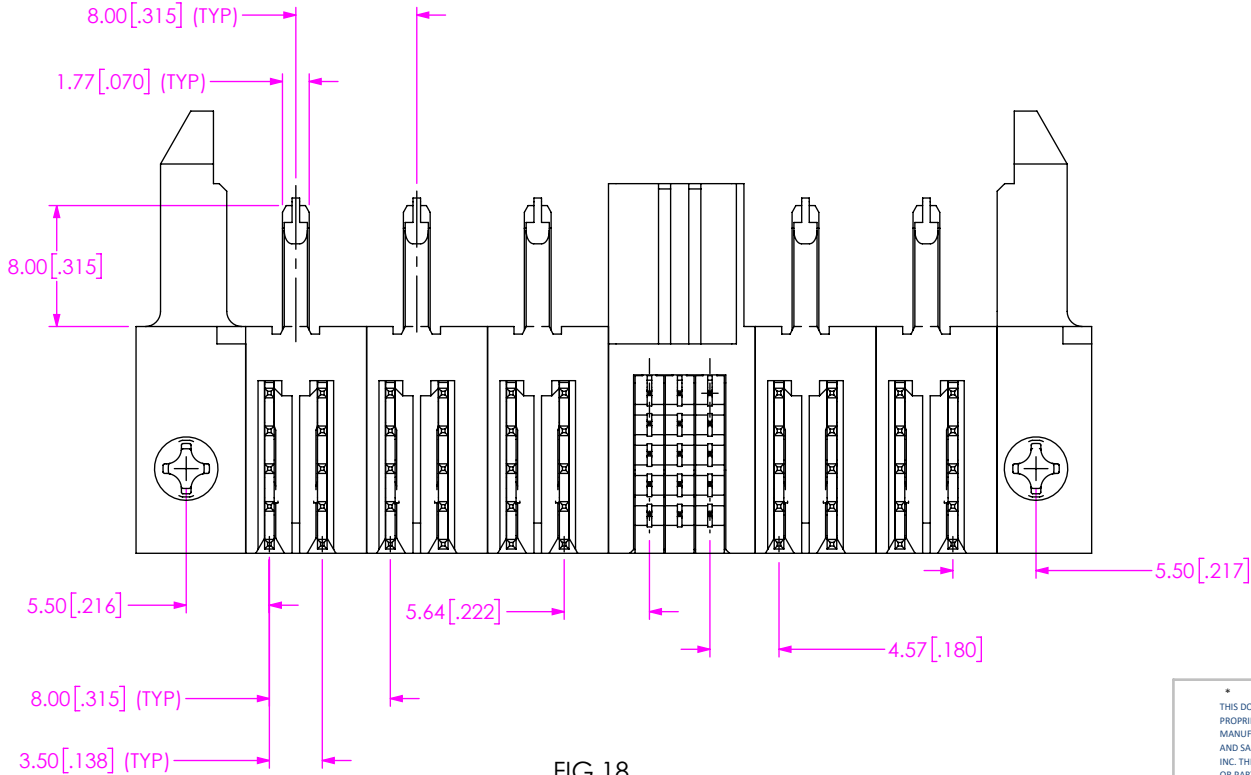
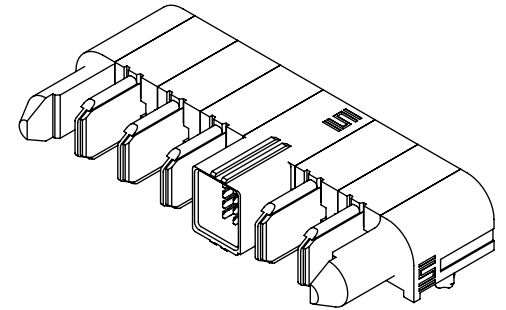


FIG 18
ET60T-S03-5-03-S02-X-R1-S-H SHOWN
(DIFFERENT AS SHOWN, OTHERWISE SAME AS FIG 4)



PROPRIETARY NOTE
THIS DOCUMENT CONTAINS CONFIDENTIAL AND PROPRIETARY INFORMATION AND ALL DESIGN, MANUFACTURING, REPRODUCTION, USE, PATENT RIGHTS AND SALES RIGHTS ARE EXPRESSLY RESERVED BY SAMTEC, INC. THIS DOCUMENT SHALL NOT BE DISCLOSED, IN WHOLE OR PART, TO ANY UNAUTHORIZED PERSON OR ENTITY NOR REPRODUCED, TRANSFERRED OR INCORPORATED IN ANY OTHER PROJECT IN ANY MANNER WITHOUT THE EXPRESS WRITTEN CONSENT OF SAMTEC, INC.

samtec

520 PARK EAST BLVD, NEW ALBANY, IN 47150
PHONE: 812-944-6733 FAX: 812-948-5047
e-Mail info@SAMTEC.com code 55322

SHEET SCALE: 3:2



DESCRIPTION:
ET60 RA POWER/SIGNAL HEADER

DWG. NO.
ET60T-XXX-X-XX-XXX-X-RX-X-X

BY: TOBIN Q 8/30/2023 SHEET 11 OF 11

Looking for pricing, stock, or lifecycle information?

Click below to explore more details on WIN SOURCE:

-  [View ET60T-D02-0-00-D02-L-R1-S-H on WIN SOURCE](#)
-  [Samtec Inc. Information](#)

Optimize Your Supply Chain with WIN SOURCE Solutions

-  Global Sourcing Solution
-  Obsolete Management
-  Cost Control Management
-  Shortage Management
-  Alternative Solution
-  Excess Inventory Management