



THE DATASHEET OF
974-037-010R011



SPECIFICATIONS:

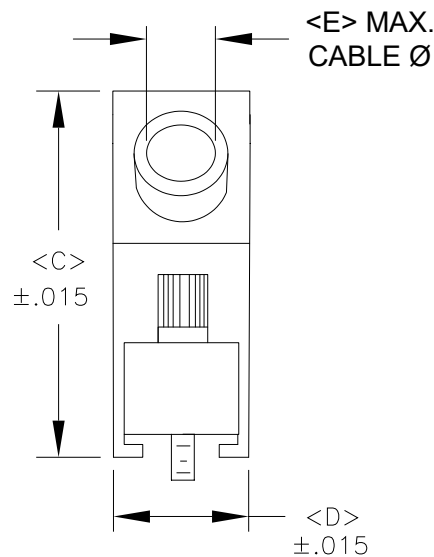
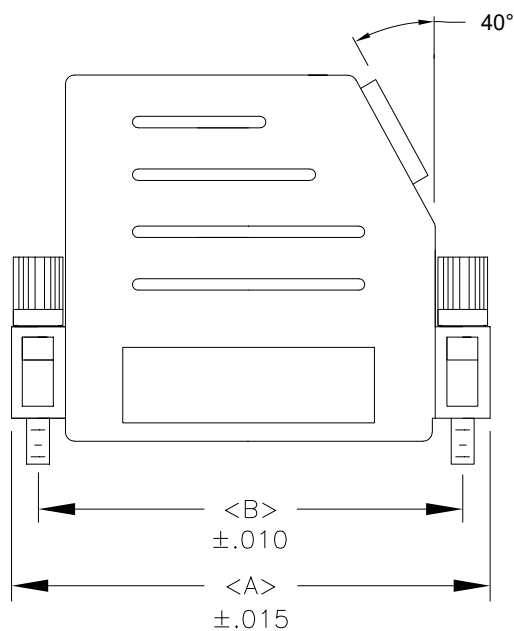
METALIZED PLASTIC:

MATERIAL: HIGH TEMPERATURE ABS
 PLATING: NICKEL OVER COPPER

PLASTIC:

MATERIAL: HIGH TEMPERATURE ABS
 COLOR: BLACK
 OPERATING TEMPERATURE: -55°C TO +125°C

BACKSHELL KIT INCLUDES:
 (2) BACKSHELL HALVES
 (2) 4-40 THUMBSCREWS
 (2) HOUSING SCREWS
 (1) METAL STRAIN RELIEF CLAMP
 (2) STRAIN RELIEF SCREWS



DIMENSIONS					
SIZE	A	B	C	D	E
009	1.240	0.984	1.457	0.598	0.335
015	1.575	1.312	1.457	0.598	0.335
025	2.106	1.852	1.614	0.598	0.433
037	2.756	2.500	1.614	0.598	0.433
050	2.670	2.406	1.614	0.717	0.472

974-YYY-YYYRYY1

SERIES _____

POSITIONS _____

009
015
025
037
050

MATERIAL _____

010 = PLASTIC
020 = METALIZED PLASTIC

COLOR _____

01 = BLACK (ONLY FOR 010 OPTION ABOVE)
12 = NICKEL OVER COPPER (ONLY FOR 020 OPTION ABOVE)

PUT-UPS _____

1 = KIT

RoHS COMPLIANT

UNITS = inch

DO NOT SCALE FROM DRAWING



THESE DRAWINGS AND SPECIFICATIONS ARE THE PROPERTY OF NorComp AND SHALL NOT BE REPRODUCED, COPIED OR USED AS THE BASIS FOR THE MANUFACTURE OR SALE OF APPARATUS WITHOUT WRITTEN PERMISSION.

DRAWN:
P. JENKINS

DATE:
07/15/2005

NorComp

SCALE: NTS SHEET 1 OF 1 REV 3

DWG NO. 974-YYY-0Y0RYY1

Looking for pricing, stock, or lifecycle information?

Click below to explore more details on WIN SOURCE:

 [View 974-037-010R011](#) on WIN SOURCE

 [NorComp Inc.](#) Information

Optimize Your Supply Chain with WIN SOURCE Solutions

-  Global Sourcing Solution
-  Obsolete Management
-  Cost Control Management
-  Shortage Management
-  Alternative Solution
-  Excess Inventory Management