



**THE DATASHEET OF
ERM8-013-01-S-D-EM2-DS-L-TR**



DO NOT SCALE FROM THIS PRINT

DESIGNED AND DIMENSIONS IN MILLIMETERS [INCHES]

ERM8-XXX-01-X-D-EMX-XXXX-XX

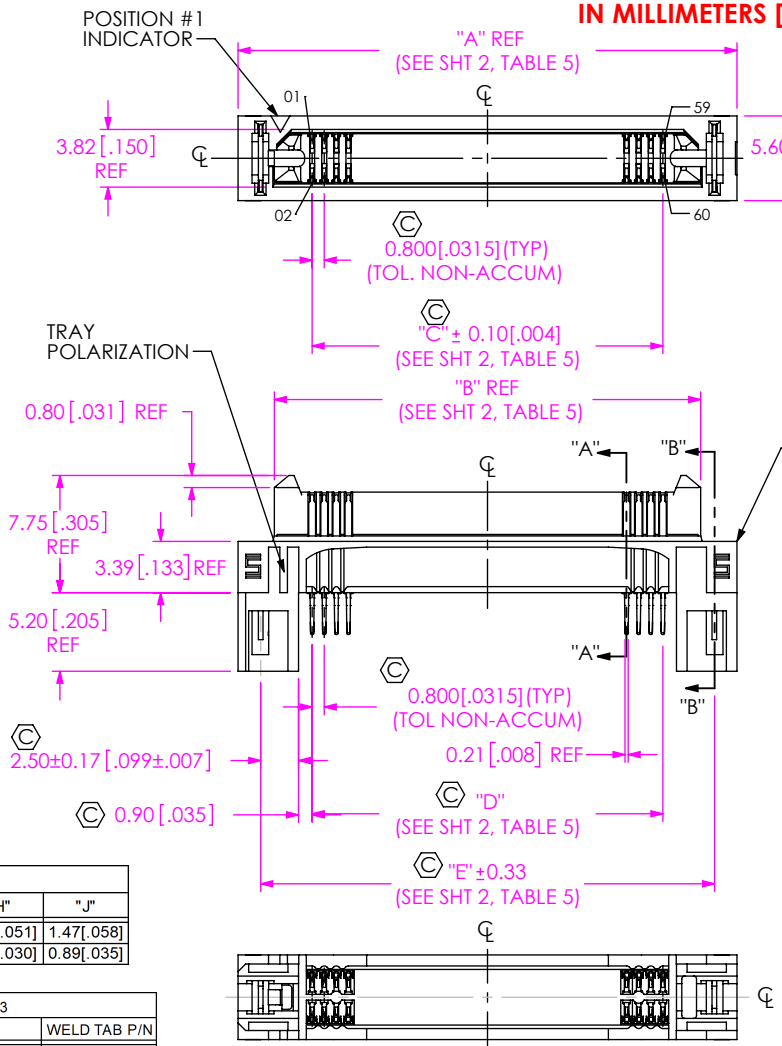


FIG 1 (ERM8-030-01-X-D-EM2 SHOWN) (SOME CENTER FEATURES NOT SHOWN FOR CLARITY)

TABLE 2			
BOARD	"G"	"H"	"J"
-EM2	2.77 [.109]	1.30 [.051]	1.47 [.058]
-EM4	2.62 [.103]	0.77 [.030]	0.89 [.035]

TABLE 3	
ASSEMBLY P/N	WELD TAB P/N
ERM8-XXX-01-X-D-EM2	WT-29-04-F
ERM8-XXX-01-X-D-EM2-SL	WT-29-07-H
ERM8-XXX-01-X-D-EM4	WT-29-05-F
ERM8-XXX-01-X-D-EM2-L	WT-29-01-F
ERM8-XXX-01-X-D-EM4-L	WT-29-02-F
ERM8-XXX-01-X-D-EM2-EGPS	SH29-XX-03-N
ERM8-XXX-01-X-D-EM4-EGPS	SH29-XX-04-N

TABLE 1			
OPTION	TAIL OPTION	BODY P/N	CONTACT P/N
NONE, -L, -SL, OR -EGPS	-EM2	ERM8-XXX-01-D-EM2	T-1M47-01-X
	-EM4	ERM8-XXX-01-D-EM4	T-1M47-02-X
-DS	-EM2	ERM8-XXX-01-D-EM2	T-1M47-03-X
	-EM4	ERM8-XXX-01-D-EM4	T-1M47-04-X

No OF POSITIONS (PER ROW)
 -005, -010, -011, -013, -020, -025, -030, -035, -040, -049, -050, -060, -070, -075, **,-100

LEAD STYLE
 -01

PLATING SPECIFICATION
 -L: LIGHT SELECTIVE GOLD / MATTE TIN (USE T-1M47-XX-L)
 -S: SELECTIVE GOLD / MATTE TIN (USE T-1M47-XX-S)

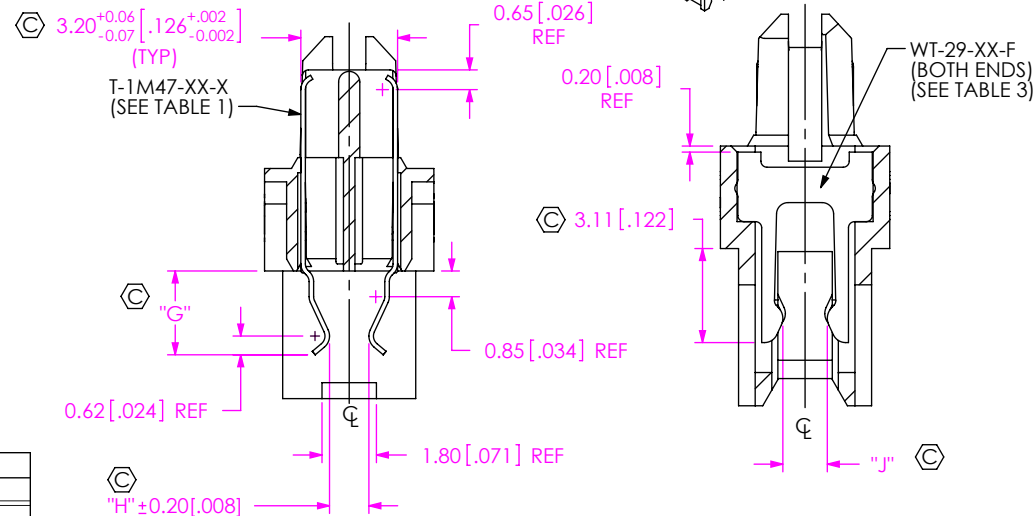
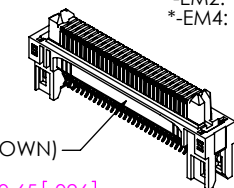
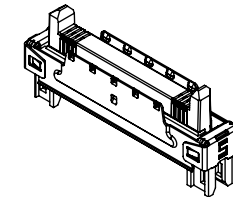
ROW SPECIFICATON
 -D: DOUBLE

PACKAGING
 -TR: TAPE & REEL (SEE NOTES 6, 7 & 8)
 -FR: FULL REEL QTY TAPE & REEL (SEE NOTES 7 & 8)
 -TY: TRAY (SEE NOTES 6 & 7)

OPTIONS
 -DS: DIFFERENTIAL PAIR (SEE FIG 2, SHT 2) (HOT SWAP) (AVAILABLE IN -010, -013, -025, -040 AND -049 POSITIONS ONLY)
 -L: LATCHES (SEE FIG 2, SHT 2)
 -SL: SQUEEZE LATCH (SEE FIG 4, SHT 3) (USE WT-29-07-H)
 -EGPS: EXTENDED GUIDE POST SHIELD (SEE FIG 5, SHT 4) (AVAILABLE IN -010, -020, -025, AND -30 POSITIONS ONLY)
 -DSS: DIFFERENTIAL PAIR AND EXTENDED GUIDE POST SHIELD (AVAILABLE IN -010 & -025 POSITIONS ONLY)

TAIL SPECIFICATION
 -EM2: 1.58mm (.062) THICK PCB
 *EM4: 1.00mm (.039) THICK PCB

* = NOT TOOLED
 ** = NOT RELEASED



SECTION "A"-"A" SCALE 4:1

SECTION "B"-"B" SCALE 4:1

- NOTES:
1. Ⓢ REPRESENTS A CRITICAL DIMENSION.
 2. MAXIMUM BURR ALLOWANCE: 0.038 [.0015]
 3. MINIMUM PUSHOUT FORCE: SIGNAL 2.22 N [.5 LB.], WELD TAB 4.45N [1 LB.].
 4. NOTE DELETED.
 5. NOTE DELETED.
 6. -TR/-FR PACKAGING NOT AVAILABLE ON THE -100 POSITION; -TY AVAILABLE ON -100 POSITION ONLY.
 7. ORDERS WILL BE PACKAGED ACCORDING TO THE SAMTEC PACKAGING EFFICIENCY STANDARDS (SPES) FOUND ON WWW.SAMTEC.COM.
 8. ATTACH LABEL TO EACH REEL.

UNLESS OTHERWISE SPECIFIED, DIMENSIONS ARE IN MILLIMETERS [INCHES]. TOLERANCES ARE:
 DECIMALS ANGLES
 X.X: ±0.3 [.01]
 X.XX: ±0.13 [.005]
 X.XXX: ±0.050 [.0020]

PROPRIETARY NOTE
 THIS DOCUMENT CONTAINS CONFIDENTIAL AND PROPRIETARY INFORMATION AND ALL DESIGN, MANUFACTURING, REPRODUCTION, USE, PATENT RIGHTS AND SALES RIGHTS ARE EXPRESSLY RESERVED BY SAMTEC, INC. THIS DOCUMENT SHALL NOT BE DISCLOSED, IN WHOLE OR PART, TO ANY UNAUTHORIZED PERSON OR ENTITY NOR REPRODUCED, TRANSFERRED OR INCORPORATED IN ANY OTHER PROJECT IN ANY MANNER WITHOUT THE EXPRESS WRITTEN CONSENT OF SAMTEC, INC.



520 PARK EAST BLVD. NEW ALBANY, IN 47150
 PHONE: 812-944-6733 FAX: 812-948-5047
 e-Mail: info@SAMTEC.com code: 55322

MATERIAL: DO NOT SCALE DRAWING SHEET SCALE: 2:1
 INSULATOR: LCP UL94V-0, COLOR: BLACK
 TERMINALS: PHOS BRONZE
 LATCHES: BeCu
 SHIELD: PHOS BRONZE

DESCRIPTION:
 0.8MM EDGE RATE TERMINAL ASSEMBLY
 DWG. NO.
ERM8-XXX-01-X-D-EMX-XXXX-XX
 BY: C. PIERCE 10/23/2006 SHEET 1 OF 4

TABLE 5						
POSITION	"A"	"B"	"C"	"D"	"E"	"F"
-005	13.00 [.512]	8.20 [.323]	3.20 [.126]	3.200 [.1260]	10.0 [.394]	8.90[0.350]
-010	17.00 [.669]	12.20 [.480]	7.20 [.284]	7.200 [.2835]	14.0 [.551]	12.90[0.508]
-011	17.80 [.700]	13.00 [.519]	8.00 [.315]	8.000 [.3150]	14.8 [.583]	13.70 [.539]
-013	19.40 [.764]	14.60 [.575]	9.60 [.378]	9.600 [.3780]	16.4 [.646]	15.30[0.602]
-020	25.00 [.984]	20.20 [.796]	15.20 [.598]	15.200 [.5984]	22.0 [.866]	20.90[0.823]
-025	29.00 [1.142]	24.20 [.953]	19.20 [.756]	19.200 [.7559]	26.0 [1.024]	24.90[0.980]
-030	33.00 [1.299]	28.20 [1.110]	23.20 [.913]	23.200 [.9134]	30.0 [1.181]	28.90[1.138]
-035	37.00 [1.457]	32.20 [1.268]	27.20 [1.071]	27.200 [1.0709]	34.0 [1.339]	32.90 [1.295]
-040	41.00 [1.614]	36.20 [1.425]	31.20 [1.228]	31.200 [1.2283]	38.0 [1.496]	36.90[1.453]
-049	48.20 [1.898]	43.40 [1.709]	38.40 [1.512]	38.400 [1.5118]	45.2 [1.780]	44.10[1.736]
-050	49.00 [1.929]	44.20 [1.740]	39.20 [1.543]	39.200 [1.5433]	46.0 [1.811]	44.90[1.768]
-060	57.00 [2.244]	52.20 [2.055]	47.20 [1.858]	47.200 [1.8583]	54.0 [2.126]	52.90[2.083]
-070	65.00 [2.559]	60.20 [2.370]	55.20 [2.173]	55.200 [2.1732]	62.0 [2.441]	60.90[2.398]
-075	69.00 [2.717]	64.20 [2.528]	59.20 [2.331]	59.200 [2.3307]	66.0 [2.598]	64.90[2.555]
** -100	89.00 [3.504]	84.20 [3.315]	79.20 [3.118]	79.200 [3.1181]	86.0 [3.386]	84.90[3.343]

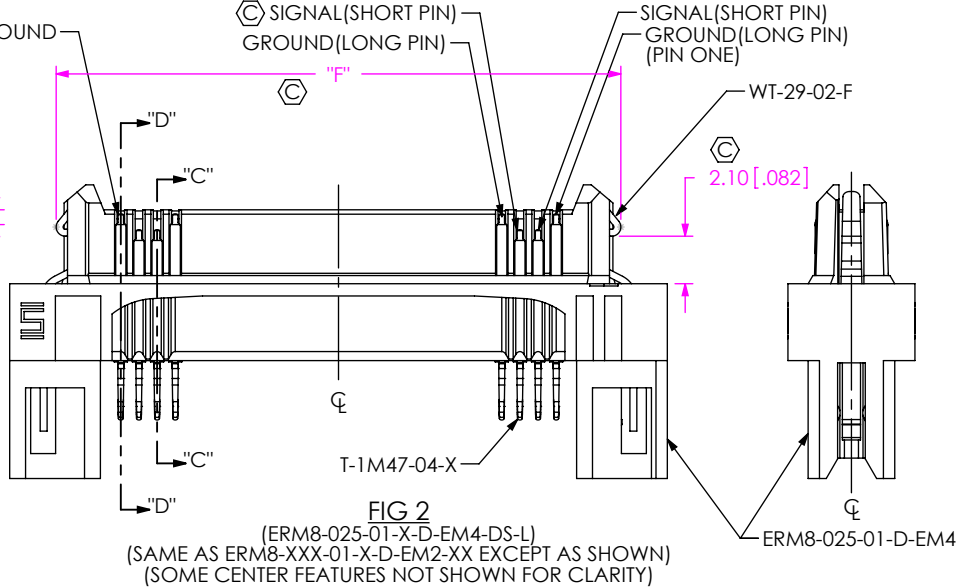
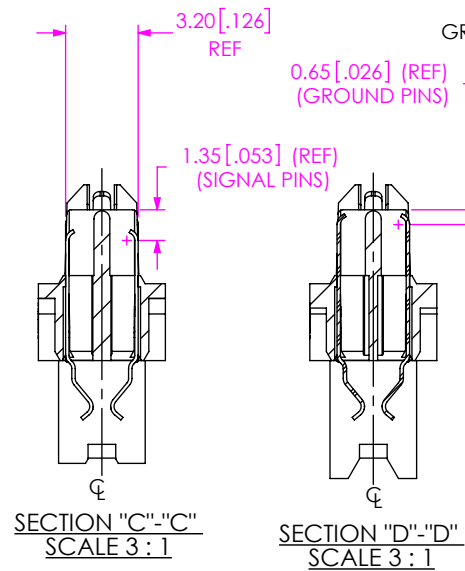
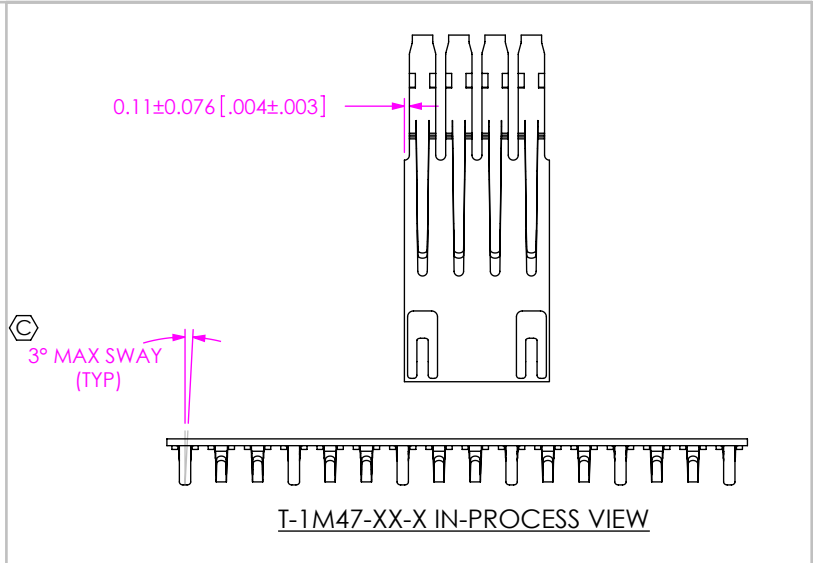
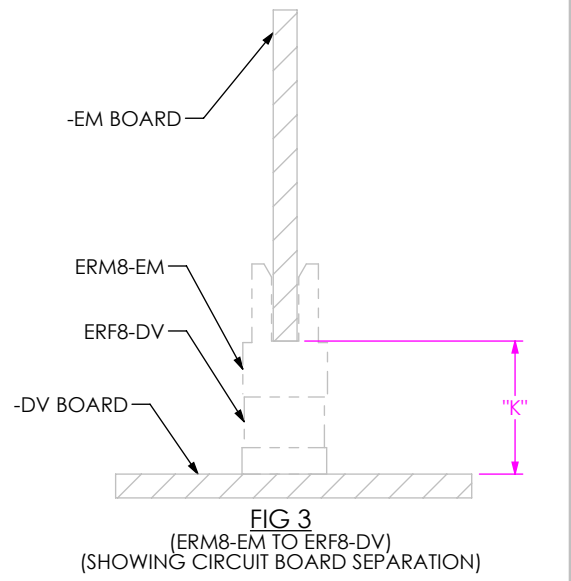


TABLE 4	
PCB SPACING	ERM8-EM ASSY
	"K"
ERF8-XXX-05.0-X-DV-XX	8.81 [.347]
ERF8-XXX-07.0-X-DV-XX	10.76 [.424]



PROPRIETARY NOTE
 THIS DOCUMENT CONTAINS CONFIDENTIAL AND PROPRIETARY INFORMATION AND ALL DESIGN, MANUFACTURING, REPRODUCTION, USE, PATENT RIGHTS AND SALES RIGHTS ARE EXPRESSLY RESERVED BY SAMTEC, INC. THIS DOCUMENT SHALL NOT BE DISCLOSED, IN WHOLE OR PART, TO ANY UNAUTHORIZED PERSON OR ENTITY NOR REPRODUCED, TRANSFERRED OR INCORPORATED IN ANY OTHER PROJECT IN ANY MANNER WITHOUT THE EXPRESS WRITTEN CONSENT OF SAMTEC, INC.



520 PARK EAST BLVD, NEW ALBANY, IN 47150
 PHONE: 812-944-6733 FAX: 812-948-5047
 e-Mail: info@SAMTEC.com code: 55322

DO NOT SCALE DRAWING
 SHEET SCALE: 2:1

DESCRIPTION:
0.8MM EDGE RATE TERMINAL ASSEMBLY
 DWG. NO.
ERM8-XXX-01-X-D-EMX-XXXX-XX
 BY: C. PIERCE 10/23/2006 SHEET 2 OF 4

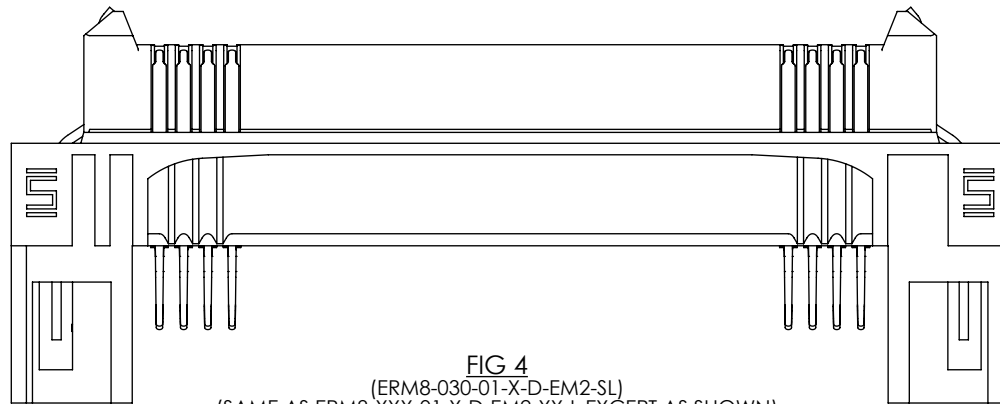
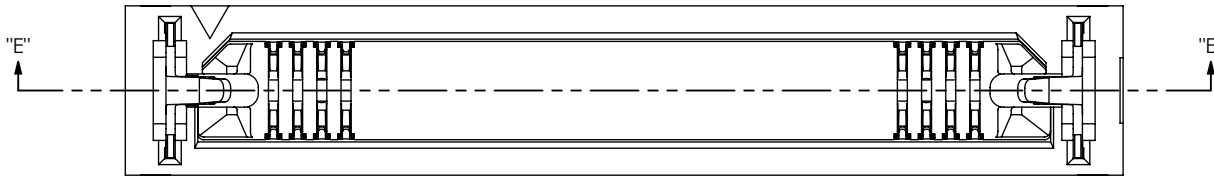
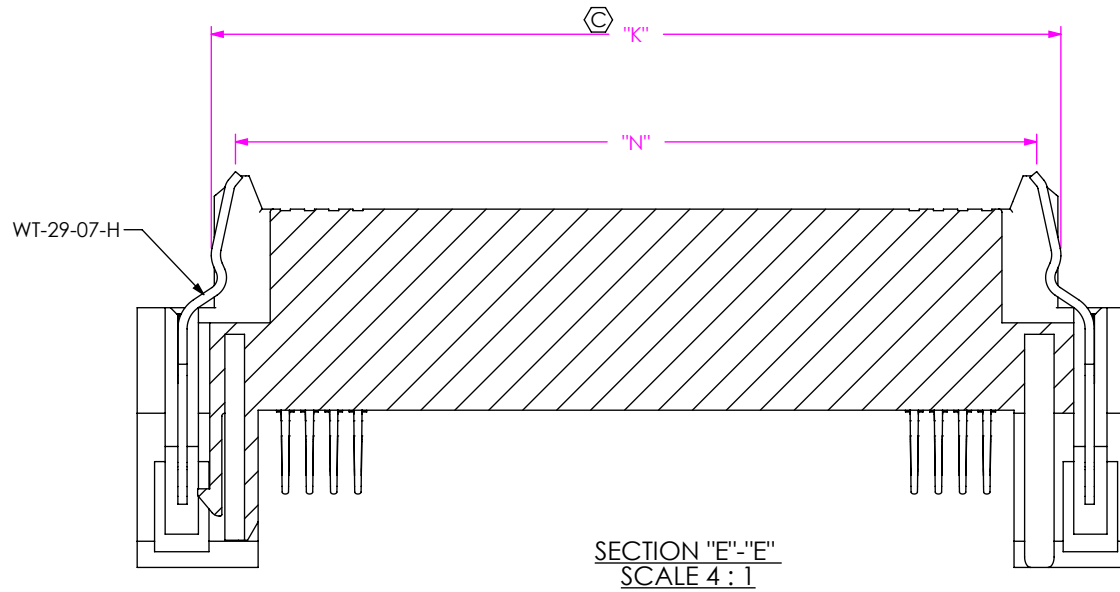


FIG 4
(ERM8-030-01-X-D-EM2-SL)
(SAME AS ERM8-XXX-01-X-D-EM2-XX-L EXCEPT AS SHOWN)
(SOME CENTER FEATURES NOT SHOWN FOR CLARITY)

F:\DWG\MISC\MKTG\ERM8-XXX-01-X-D-EMX-XXXX-XX-MKT.SLDDRW

TABLE 6				
POSITION	"N"		"K"	
-005	6.50	[0.256]	8.10	[0.319]
-010	10.50	[0.413]	12.10	[0.476]
-011	11.30	[0.445]	12.90	[0.508]
-013	12.90	[0.508]	14.50	[0.571]
-020	18.50	[0.728]	20.10	[0.791]
-025	22.50	[0.886]	24.10	[0.949]
-030	26.50	[1.043]	28.10	[1.106]
-035	30.50	[1.201]	32.10	[1.264]
-040	34.50	[1.358]	36.10	[1.421]
-049	41.70	[1.642]	43.30	[1.705]
-050	42.50	[1.673]	44.10	[1.736]
-060	50.50	[1.988]	52.10	[2.051]
-070	58.50	[2.303]	60.10	[2.366]
-075	62.50	[2.461]	64.10	[2.524]
** -100	82.50	[3.248]	84.10	[3.311]

PROPRIETARY NOTE

THIS DOCUMENT CONTAINS CONFIDENTIAL AND PROPRIETARY INFORMATION AND ALL DESIGN, MANUFACTURING, REPRODUCTION, USE, PATENT RIGHTS AND SALES RIGHTS ARE EXPRESSLY RESERVED BY SAMTEC, INC. THIS DOCUMENT SHALL NOT BE DISCLOSED, IN WHOLE OR PART, TO ANY UNAUTHORIZED PERSON OR ENTITY NOR REPRODUCED, TRANSFERRED OR INCORPORATED IN ANY OTHER PROJECT IN ANY MANNER WITHOUT THE EXPRESS WRITTEN CONSENT OF SAMTEC, INC.

DO NOT SCALE DRAWING

SHEET SCALE: 2:1



520 PARK EAST BLVD, NEW ALBANY, IN 47150
PHONE: 812-944-6733 FAX: 812-948-5047
e-Mail: info@SAMTEC.com code: 55322

DESCRIPTION:
0.8MM EDGE RATE TERMINAL ASSEMBLY

DWG. NO.
ERM8-XXX-01-X-D-EMX-XXXX-XX

BY: C. PIERCE 10/23/2006 SHEET 3 OF 4

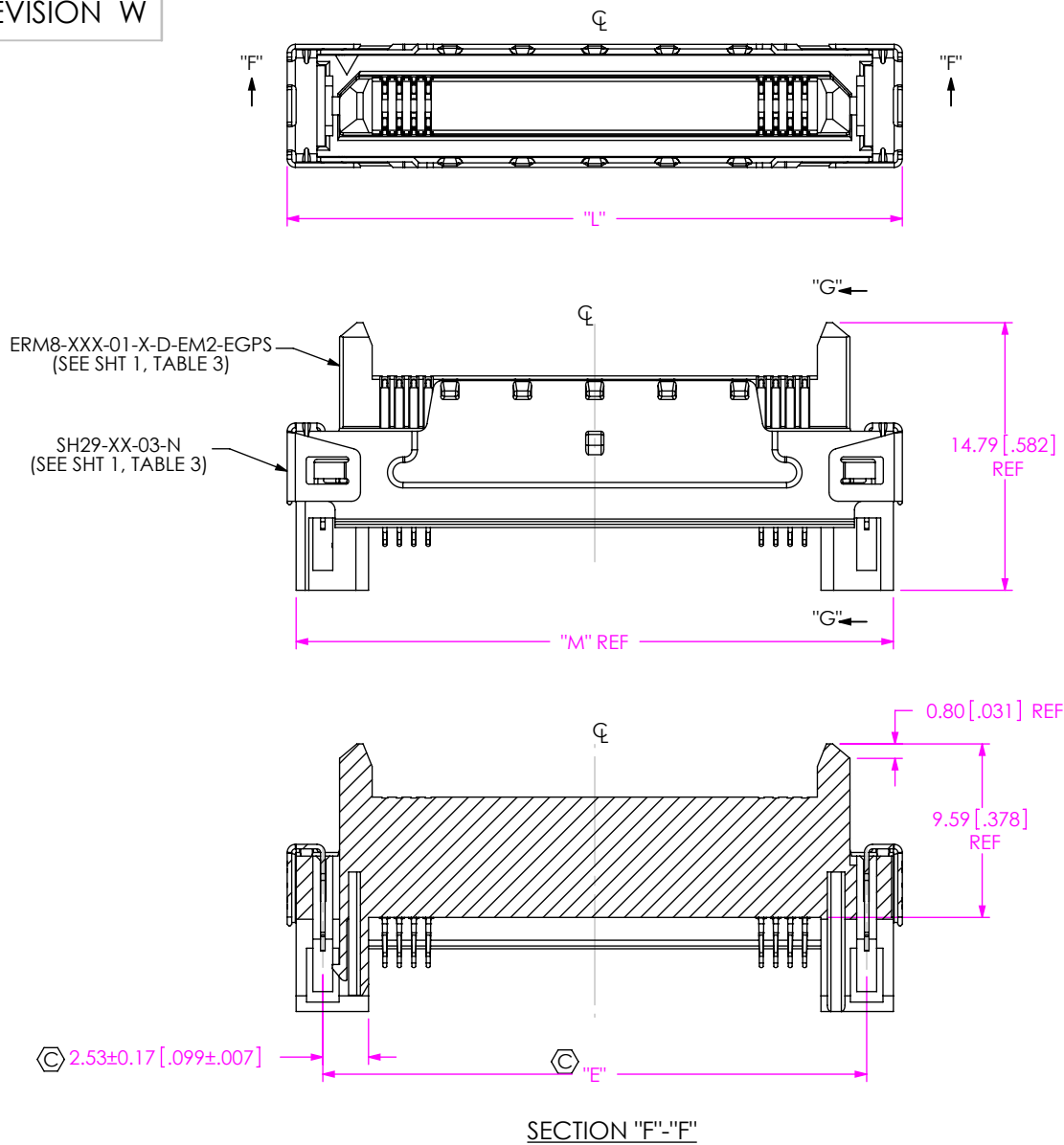


TABLE 9

No. OF POS.	"L"	"M"
-10	18.0 [0.71]	17.00 [0.669]
-20	26.0 [1.02]	25.00 [0.984]
-25	30.0 [1.18]	29.00 [1.142]
-30	34.0 [1.34]	33.00 [1.299]

FIG 5
(ERM8-030-01-X-D-EM2-EGPS)
(SAME AS ERM8-030-01-X-D-EM2 EXCEPT AS SHOWN)
(SOME CENTER FEATURES NOT SHOWN FOR CLARITY)

PROPRIETARY NOTE
THIS DOCUMENT CONTAINS CONFIDENTIAL AND PROPRIETARY INFORMATION AND ALL DESIGN, MANUFACTURING, REPRODUCTION, USE, PATENT RIGHTS AND SALES RIGHTS ARE EXPRESSLY RESERVED BY SAMTEC, INC. THIS DOCUMENT SHALL NOT BE DISCLOSED, IN WHOLE OR PART, TO ANY UNAUTHORIZED PERSON OR ENTITY NOR REPRODUCED, TRANSFERRED OR INCORPORATED IN ANY OTHER PROJECT IN ANY MANNER WITHOUT THE EXPRESS WRITTEN CONSENT OF SAMTEC, INC.

DO NOT SCALE DRAWING

SHEET SCALE: 5:2

samtec

520 PARK EAST BLVD. NEW ALBANY, IN 47150
PHONE: 812-944-6733 FAX: 812-948-5047
e-Mail: info@SAMTEC.com code: 55322



DESCRIPTION:
0.8MM EDGE RATE TERMINAL ASSEMBLY

DWG. NO.
ERM8-XXX-01-X-D-EMX-XXXX-XX

BY: C. PIERCE 10/23/2006 SHEET 4 OF 4

Looking for pricing, stock, or lifecycle information?

Click below to explore more details on WIN SOURCE:

-  [View ERM8-013-01-S-D-EM2-DS-L-TR on WIN SOURCE](#)
-  [Samtec Inc. Information](#)

Optimize Your Supply Chain with WIN SOURCE Solutions

-  Global Sourcing Solution
-  Obsolete Management
-  Cost Control Management
-  Shortage Management
-  Alternative Solution
-  Excess Inventory Management